



OPERATORS MANUAL FOR Mi-T-M®
WTR SERIES
WATER RECYCLING TREATMENT SYSTEM



CAUTION

RISK OF INJURY!

READ MANUAL BEFORE OPERATING!

This manual is an important part of the water recycling treatment system and must remain with the unit when you sell it!

TABLE OF CONTENTS

INTRODUCTION	3
SPECIFICATIONS	4
IMPORTANT SAFETY WARNINGS.....	5
FLOW CHART	8
WTR FEATURES.....	10
INSTALLATION.....	12
PREPARATION.....	16
OPERATION.....	21
MAINTENANCE.....	22
TROUBLESHOOTING.....	24
STATEMENT OF WARRANTY	28

WARNING

Warning: This product contains lead, a chemical known to the State of California to cause birth defects or other reproductive harm.

Wash your hands after handling this product.

WARNING

This product contains one or more chemicals known to the State of California to cause cancer and birth defects or other reproductive harm.

INTRODUCTION

Congratulations on the purchase of your new water recycling treatment system! You can be assured your water recycling treatment system was constructed and designed with quality and performance in mind. Each component has been rigorously tested to ensure the highest level of acceptance.

This operator's manual was compiled for your benefit. By reading and following the simple safety, installation, operation, maintenance and troubleshooting steps described in this manual, you will receive years of trouble free operation from your new water recycling treatment system. The contents of this manual are based on the latest product information available at the time of publication. The manufacturer reserves the right to make changes in price, color, materials, equipment, specifications or models at any time without notice.

! IMPORTANT !

These paragraphs are surrounded by a "SAFETY ALERT BOX". This box is used to designate and emphasize Safety Warnings that must be followed when operating this water recycling treatment system.

Accompanying the Safety Warnings are "signal words" which designate the degree or level of hazard seriousness. The "signal words" used in this manual are as follows:

DANGER: Indicates an imminently hazardous situation which, if not avoided, **WILL** result in death or serious injury.

WARNING: Indicates a potentially hazardous situation which, if not avoided, **COULD** result in death or serious injury.

CAUTION: Indicates a potentially hazardous situation which, if not avoided **MAY** result in minor or moderate injury.



The symbols set to the left of this paragraph are "Safety Alert Symbols". These symbols are used to call attention to items or procedures that could be dangerous to you or other persons using this equipment.



ALWAYS PROVIDE A COPY OF THIS MANUAL TO ANYONE USING THIS EQUIPMENT. READ ALL INSTRUCTIONS BEFORE OPERATING THIS WATER RECYCLING TREATMENT SYSTEM AND ESPECIALLY POINT OUT THE "SAFETY WARNINGS" TO PREVENT THE POSSIBILITY OF PERSONAL INJURY TO THE OPERATOR.

Once the unit has been removed from the crate, immediately write in the serial number of your unit in the space provided below.

SERIAL NUMBER _____

Inspect for signs of obvious or concealed freight damage. If damage does exist, file a claim with the transportation company immediately. Be sure that all damaged parts are replaced and that the mechanical and electrical problems are corrected prior to operation of the unit. If you require service, contact your customer service representative.

Please have the following items available for all Service calls:

1. Model Number
2. Serial Number
3. Date and Place of Purchase

CONTENTS OF WTR-SERIES WATER RECYCLING TREATMENT SYSTEM

Carefully unpack your new WTR-Series Water recycling treatment system. Check the contents against the packing list. Contact the freight line if a damage claim is required on any component. The following items are the basic equipment sent with your WTR-Series Water recycling treatment system.

- | | |
|---|---|
| <ol style="list-style-type: none"> 1. Water recycling treatment system Platform <ol style="list-style-type: none"> a. Filter Pump b. Inlet Flow Meter c. Cartridge Filter d. Polishing Filter e. Product Tank f. Transfer Pump g. Pressurized Water Storage Tank | <ol style="list-style-type: none"> 2. Three Unattached Floats for Sump Pit <ol style="list-style-type: none"> a. Blue: Protects sump pump low level. b. Red: To fill pit from the fresh water inlet. c. Blue: High pit level discharge. 3. Water Test Kit 4. Manual and Parts List 5. pH Sensor Probe with PH Option 6. ORP Sensor Probe with ORP option 7. Ozone generator with ozone option |
|---|---|

SPECIFICATIONS


SPECIFICATIONS			
MODEL	WTR-10-0M10	WTR-10-0M30	WTR-10-0M30 (WX-0132)
MAX FLOW	10 GPM		
ELECTRICAL	208-230V/ 1PHASE / 15 AMPS	208-230V/ 3 PHASE/ 8 AMPS	460V/ 3 PHASE/ 4 AMPS
FILTER PUMP	1 HP		
CARTRIDGE FILTER 1	30 MICRON, 100 SQUARE FEET		
CARTRIDGE FILTER 2	5 MICRON, 100 SQUARE FEET		
POLISHING FILTER	110 LBS CARBON		
TRANSFER PUMP	1/2 HP		
PRODUCT TANK	80 GALLONS		
PRESSURE TANK	20 GALLONS		
DIMENSIONS	72"L X 48" W X 60" H		
NET WEIGHT	750 LBS		
OPTIONS AND ACCESSORIES			
PH CONTROL (WX-0130)	<1 AMP. 48ML/MIN CHEMICAL PUMP		
ORP CONTROL (WX-0131)	<1 AMP. 48ML/MIN CHEMICAL PUMP		
OZONE (855-0046)	12 WATTS, 6 GRAMS/DAY		



IMPORTANT SAFETY WARNINGS

READ ALL SAFETY WARNINGS BEFORE USING WATER RECYCLING TREATMENT SYSTEM




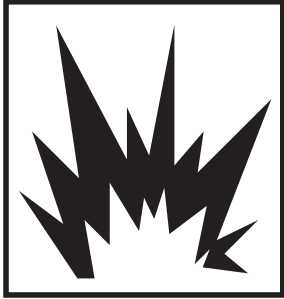

HAZARD	POTENTIAL CONSEQUENCE	PREVENTION
<p data-bbox="180 239 537 296">RISK OF ELECTRIC SHOCK OR ELECTROCUTION</p> 	<p data-bbox="558 239 974 457">Serious injury or death could occur if the water recycling treatment system is not properly grounded. Your water recycling treatment system is powered by electricity and may cause electric shock or electrocution if not installed properly.</p> <p data-bbox="558 949 984 1041">Electrical shock may occur if water recycling treatment system is not operated properly.</p> <p data-bbox="558 1201 980 1293">Serious injury or death may occur if electrical repairs are attempted by unqualified persons.</p>	<p data-bbox="1000 239 1533 331">Installation of this unit, including all electrical connections, must comply with all local, state and national codes.</p> <p data-bbox="1000 352 1533 537">This product must be grounded. Connect to a GFCI circuit breaker when available. If the unit should malfunction or breakdown, grounding provides a path of least resistance for electric current to reduce the risk of electric shock. Do not ground to a gas supply line.</p> <p data-bbox="1000 558 1533 714">Improper connection of the equipment-grounding conductor can result in a risk of electrocution. Check with a qualified electrician or service personnel if you are in doubt as to whether the system is properly grounded.</p> <p data-bbox="1000 735 1533 890">Always be certain the unit is receiving proper voltage (+/- 5% of the voltage listed on the nameplate). Before installing electrical connections, be certain the power switches are in the "OFF" position.</p> <p data-bbox="1000 911 1533 940">Keep all connections dry and off the ground.</p> <p data-bbox="1000 961 1533 1041">DO NOT allow metal components of the water recycling treatment system to come in contact with live electrical components.</p> <p data-bbox="1000 1062 1533 1184">Never operate the water recycling treatment system with safety guards/covers removed or damaged. Ensure all electrical covers are securely in place when unit is operating.</p> <p data-bbox="1000 1205 1533 1360">Any electrical wiring or repairs performed on this water recycling treatment system should be done by Authorized Service Personnel in accordance with National and Local electrical codes.</p> <p data-bbox="1000 1381 1533 1730">Before opening any electrical enclosure, always shut off the water recycling treatment system and drain the water. Disconnect the water recycling treatment system from the power source. If the power disconnect is not in sight, lock it in the open position and tag it to prevent power usage. (Never assume the water recycling treatment system is safe to work on just because it is not operating, it could restart at any time! Always disconnect from the power source.)</p>



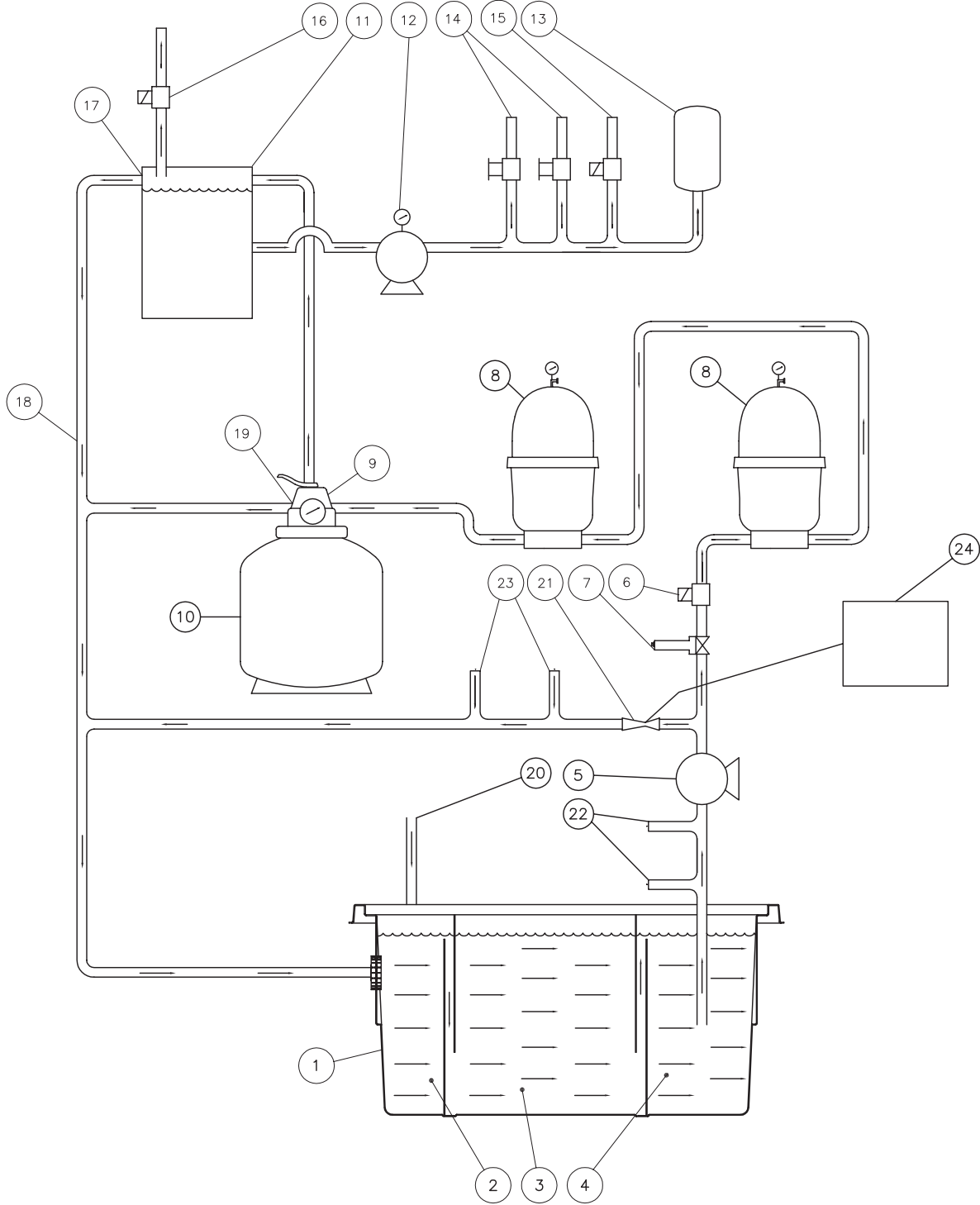
IMPORTANT SAFETY WARNINGS



READ ALL SAFETY WARNINGS BEFORE USING WATER RECYCLING TREATMENT SYSTEM

HAZARD	POTENTIAL CONSEQUENCE	PREVENTION
<p>RISK OF EXPLOSION OR FIRE</p> 	<p>Serious injury or death could occur from an explosion or fire caused by a system electric spark.</p>	<p>This unit must be placed in an area that is well ventilated, free of flammable vapors, combustible dust, gases or other combustible materials.</p>
<p>RISK OF BURSTING</p> 	<p>Serious injury or death could occur from bursting caused by excessive pressure in the system.</p> <p>Serious injury may occur if attempting to start the water recycling treatment system when the pump is frozen.</p>	<p>Do not mistreat the pressure gauges on the system. Pressure gauges will malfunction if they are subjected to excessive pressure, vibration, pulsation or temperature or if they are placed in an environment which causes corrosion of parts. Incorrect readings on a pressure gauge could mislead the operator and place him in a dangerous working condition.</p> <p>Do not use a booster pump or any type of additional pumping system. Pressurizing the suction of the pump may cause the pump body to explode.</p> <p>Do not use this water recycling treatment system to pump flammable material! An explosion could occur from a gas vapor buildup inside the system.</p> <p>In freezing temperatures, the unit must always be warm enough to ensure there is no ice formation in the pump. Do not start the water recycling treatment system if it has been in a freezing environment without first allowing the pump to thaw.</p>
<p>RISK OF BURNS</p> 	<p>Serious injury may occur from touching the electrical motor. This area can remain hot for some time after the water recycling treatment system is shutdown.</p>	<p>Never allow any part of your body to contact the electrical motor until cooled.</p>

FLOW CHART



— = DIRECTION OF WATER FLOW

FLOW DIAGRAM FOR THE WTR-SYSTEM

Water used from washing or other processes (20) is collected in a below ground **Pit System (1)**. A well designed pit system allows solids and oils to separate out of the system and will consist of a **Wash Water Collection Pit (2)**, **Settling Chamber (3)**, and **Sump Chamber (4)**. At the end of the pit system, the **Filter Pump (5)** draws the water up and pumps into the water treatment system. Water first goes through the **Inlet Flow Valve (6)** and **Flow Meter (7)**. These are used in conjunction to set the proper flow rate into the filters. The water then flows into the first and second **Cartridge Filters (8)**. The combination of cartridge filters will remove any solid particles down to 5 micron in size. After the cartridge filters, the water goes into the 7-way **Filter Valve (9)** and into the **Polishing Filter (10)** containing activated carbon. The carbon removes dissolved solids, organics, and metals from the system while also eliminating odors.

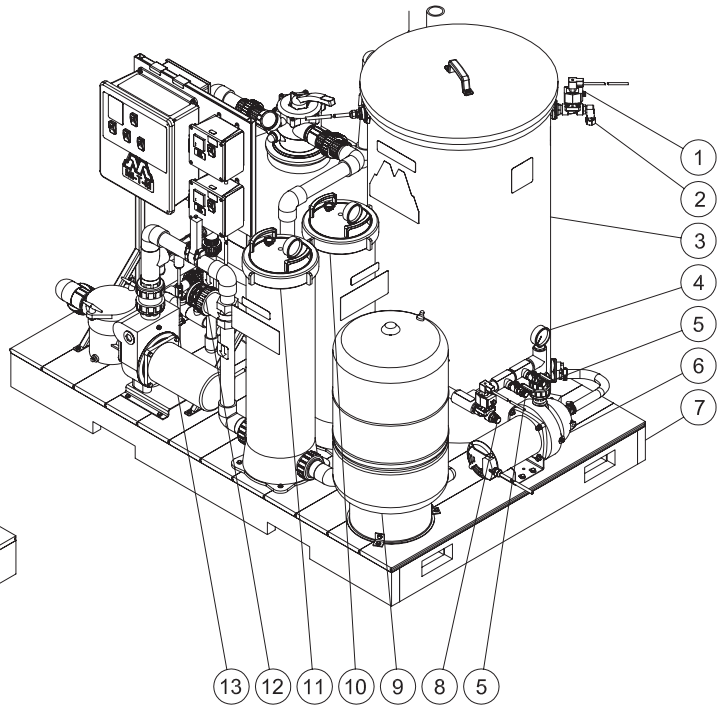
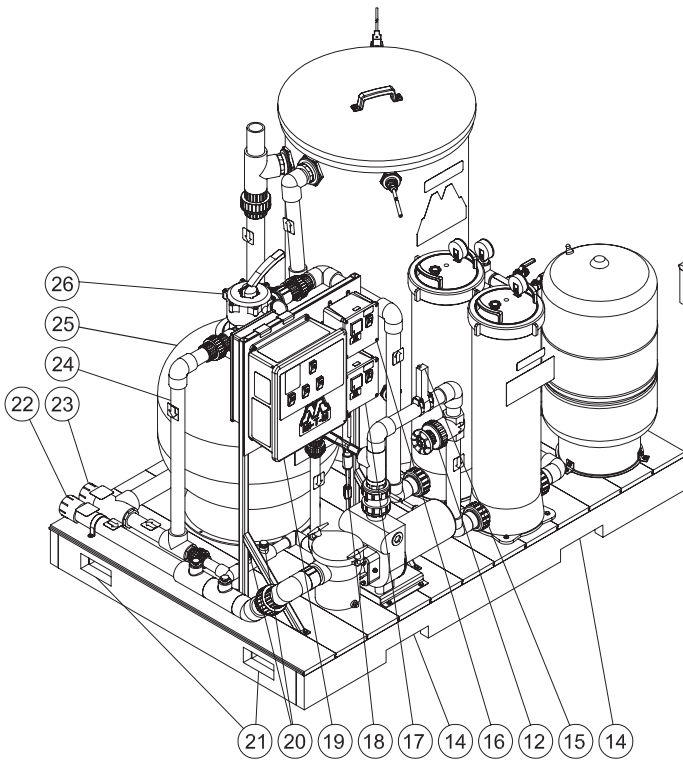
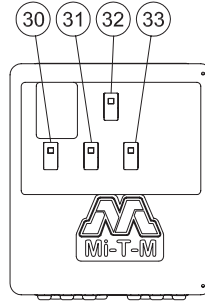
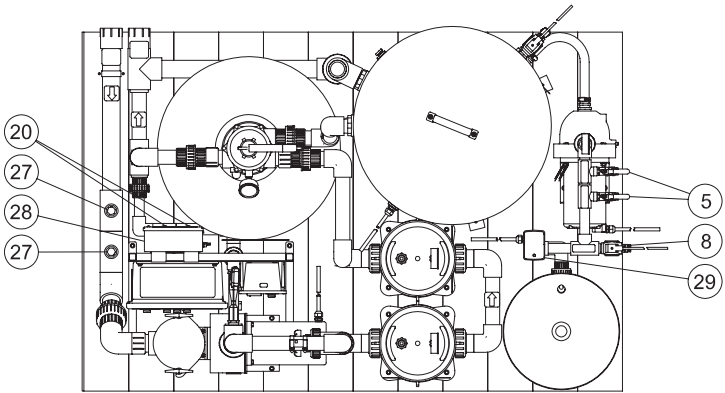
After the filtration process, the water is delivered to the **Product Tank (11)**. The **Transfer Pump (12)** pulls water from the **Product Tank (11)** and fills the **Pressure Tank (13)** and manifold with pressurized water. The two **Water Outlet Valves (14)** deliver pressurized treated water on demand for pressure washers, rinsing with a garden hose, or other processes. In order to recirculate the filtered water, when the water in **Product Tank (11)** reaches the **Product Tank Overflow (17)** it drains back to the pit via the **Recirculation Line (18)**.

In order to keep water within the system flowing at all times, part of the water stream is split after the **Filter Pump (5)** and sent back to the **Pit System (1)**. The water is sent through a **Venturi Injector (21)** where air or ozone via the optional **Ozone Generator (24)** is pulled into the water. The air and ozone help eliminate odors in the **Pit System (1)**. If ORP or PH control is needed, **Probes (22)** are placed on the inlet of the **Filter Pump (5)** to monitor the PH and ORP. **Chemical Injection Ports (23)** are located in the by-pass line where ORP and PH chemical is added automatically and delivered to the **Pit System (1)**.

As part of the scheduled maintenance, the **Polishing Filter (10)** will need to be back-washed periodically. With the 7-way **Filter Valve (9)** in the back-wash position, water passes backwards through the filter into the **Back Wash Port (19)** and back to the **Pit System (1)** via the **Recirculation Line (18)**.

Floats in the **Pit System (1)** automatically control the **Fresh Water Make-up Solenoid (16)** to add fresh water to the **Product Tank (11)** and the **Rain Water Overflow Solenoid (15)** to discharge extra water from the system as needed.

WTR FEATURES



ITEM	DESCRIPTION
1.	FRESHWATER SOLENOID
2.	FRESHWATER HOOK-UP
3.	PRODUCT TANK
4.	TRANSFER PUMP PRESSURE GAUGE
5.	WATER OUTLET VALVE
6.	TRANSFER PUMP
7.	PALLET
8.	RAIN WATER OVERFLOW SOLENOID
9.	PRESSURE TANK
10.	5 MICRON FILTER
11.	30 MICRON FILTER
12.	INLET CONTROL VALVE
13.	FILTER PUMP
14.	SIDE FORK LIFT HOLES
15.	FLOW METER
16.	PH CONTROL BOX (OPTIONAL)
17.	ORP CONTROL BOX (OPTIONAL)
18.	VENTURI INJECTOR
19.	CONTROL BOX
20.	CHEMICAL INJECTION LOCATION (OPTIONAL)
21.	END FORK LIFT HOLES
22.	INLET PLUMBING
23.	RECIRCULATION LINE
24.	BACKWASH LINE
25.	POLISHING FILTER
26.	7-WAY DIAL VALVE
27.	PH AND ORP PROBE LOCATION (OPTIONAL)
28.	OZONE GENERATOR (OPTIONAL)
29.	PRESSURE SWITCH
30.	FILTER PUMP SWITCH
31.	TRANSFER PUMP SWITCH
32.	MASTER SWITCH
33.	AUXILIARY SYSTEM SWITCH

INSTALLATION

NOTE: *Proper Attire is essential to your safety. It is advised to utilize whatever means necessary to protect eyes, ears, and skin.*

1. A Collection Pit System must already be an established structure before installing the WTR-Series water recycling treatment system. A well designed pit system is critical to the proper operation of the recycle system and its' design will depend on the application.

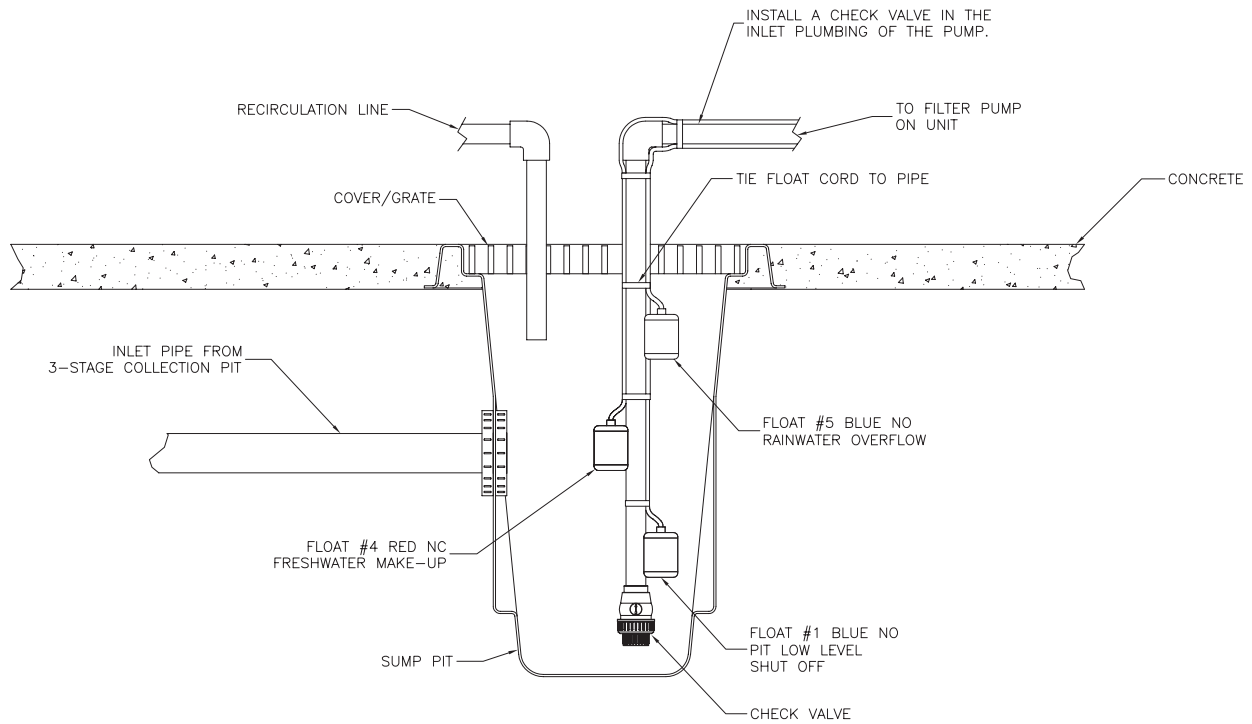
Application: (If installing the proper pit is not possible, consult factory or dealer for above ground settling and retention tank set-ups that will work with the system.) Below are rules that should be followed under most circumstances. Every wash or water treatment system is different so the guidelines below may be altered depending on the application. Consult dealer or factory with questions.

- a. Light Washing: Under 300 Gallons Per Day (GPD). Washing off light equipment: cars, golf carts, lawn mowers, parts, etc. Low dirt and oil load. 2x2 pit- 75 gallons.
 - b. Light to Medium washing: 300-600 GPD. Washing off cars, golf carts, lawn mowers, parts, trucks. Low dirt and oil load. 3x3 pit- 200 gallons.
 - c. Medium to heavy washing: 600-1500 GPD: Washing off cars, golf carts, lawn mowers, parts, trucks, small excavating equipment, tractors. Medium dirt and oil load. 3x9 pit- 600 gallons. 3x9 pits come in various baffle designs that should be selected based on the application.
 - d. Heavy washing: 1500GPD+: washing off cars, golf carts, lawn mowers, parts, trucks, small and larger excavating equipment, tractors, dozers, skid loaders, etc. Use a combination of pits to be able to hold about half of the water used in a day, and designed to catch the most amount of solids and oils before the treatment system. For heavy mud applications with track equipment or similar, large concrete, drive in pits are recommended for catching and disposing of mud that accumulates over time. Combine with flocculent or coagulant and settling tanks to eliminate the most mud before it reaches the WTR-10.
2. Place the water recycling treatment system platform on a hard, level surface in an area free of flammable vapors, combustible dust, gases and other combustible materials. The unit should be placed no more than 15 feet higher or 50 feet horizontal from where the filter pump will pull from..
 3. Set the unit so you have access to all four sides.
 4. Do not place unit in an area:
 - a. with insufficient ventilation.
 - b. where environmental hazards (i.e. rain and snow) can come in contact with the water recycling treatment system.
 - c. where the unit may freeze.
 5. The water recycling treatment system is shipped with some union connections loosened to protect the unit from shipping damage. Tighten all union connections at this time.
 6. Use schedule 80 PVC slip connections.
 - a. Install plumbing from the Sump Pit to the **Filter Pump Inlet** using minimum connection sizes of 2".
 - b. Install a check valve in the **Sump Pit**.
 - c. Install plumbing from Outlet Return To Pit to the Wash Water Catch Pit using a minimum pipe size of 2".

INSTALLATION

7. Install the three floats in the **Sump Pit**. Allow a 2" tether and enough room for them to move freely without interfering with the plumbing.
 - a. Float #1 Blue: Pit low level shut-off. Attach this float 10" above the inlet.
 - b. Float #4 Red: Fresh water makeup. Height of this float must be adjusted to the individual pit system.
 - c. Float #5 Blue: Rain water overflow. Height of this float must be adjusted to the individual pit system.

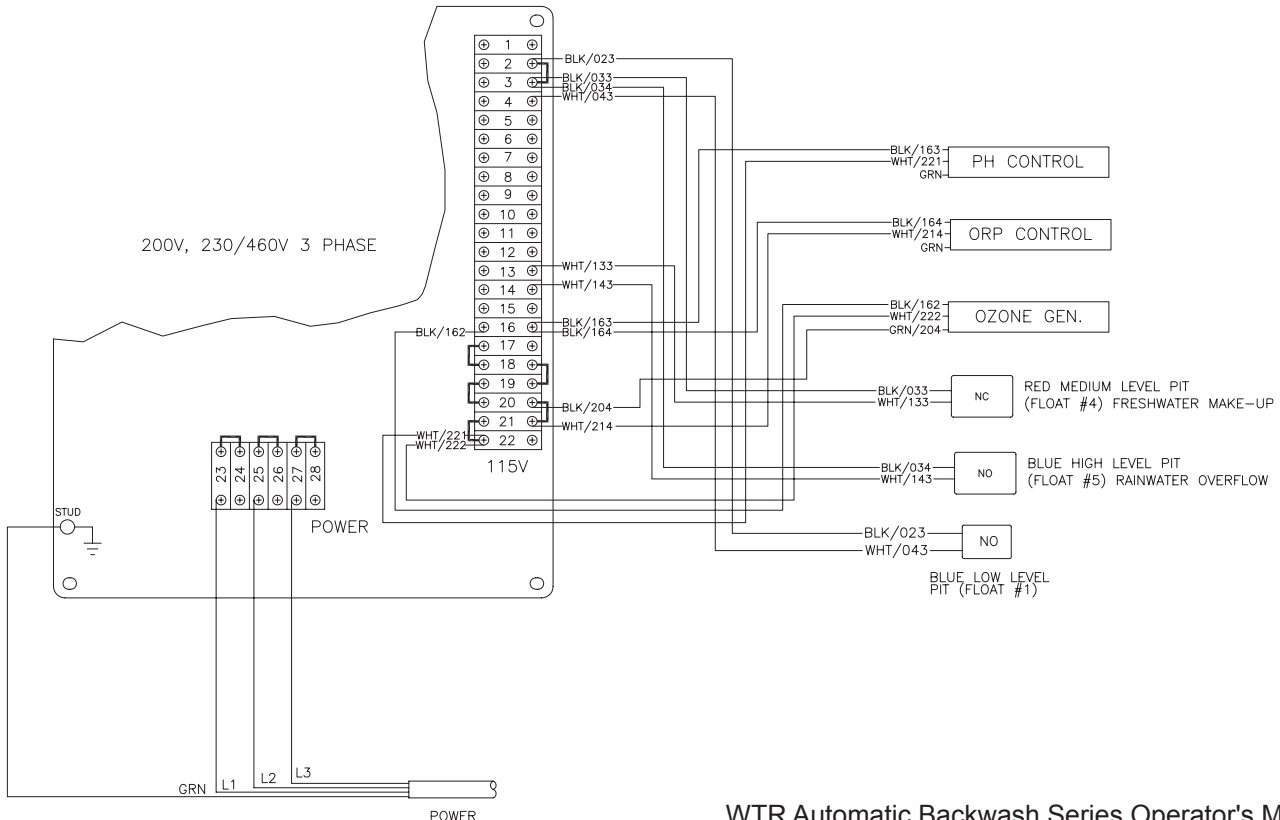
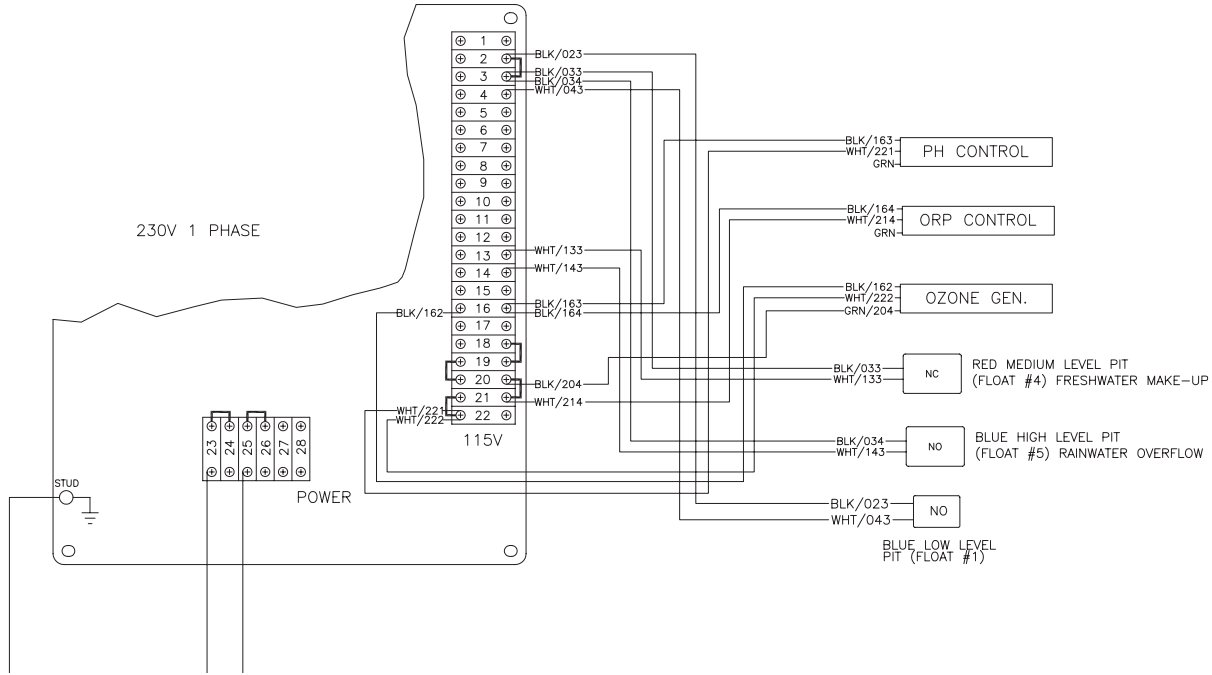
NOTE: The above information is for reference only. Professional installers or architects may use this guideline to meet specific site requirements.



 **WARNING RISK OF ELECTROCUTION! TO REDUCE THE RISK OF ELECTROCUTION, KEEP ALL CONNECTIONS DRY AND OFF THE GROUND.**

INSTALLATION

8. A qualified electrician must hook up the electrical system.
 - a. Verify the electrical supply at the power source is off.
 - b. Be certain all switches on the **Control Panel** are in the "OFF" position.
 - c. Run water tight conduit or cord from the **Sump Pit Floats** to the **Control Panel**.
 - d. Run water tight conduit from the local disconnect to the **Control Panel**.
 - e. The electrician will need to drill holes in the **Control Panel** for the conduit and/or cord(s).
 - f. Make connections to the terminal strips as shown.



FIELD WIRING DIAGRAM WTR-10-0M10 040116

NOTE: If the unit was ordered with the ORP/PH/ or Ozone options, these will be wired in from the factory. If these options are going to be added at a later time, see diagrams to wire them in properly.

9. Make the following hose connections:

- a. From a pressurized water supply to the **Fresh Water Makeup**.
- b. From the **Outlet to Pressure Washer** to the pressure washer.
- c. From the **Rain Water Overflow** to a storage tank for further processing or disposal. **DO NOT SEND THIS WATER BACK TO THE WASH WATER CATCH PIT!**

NOTE: In most cases, you must have a permit to legally dispose discharged water.

10. Installing PH/ORP/Ozone in the field.

1. If the unit is ordered in from the factory with these options, the PH, ORP, and Ozone has been installed and wired into the unit and is ready for preparation. If not follow the guidelines below for installing these options in the field.
2. PH and ORP:
 - a. Remove the plug on the inlet side of the filter pump. Install the ½ aluminum strain relief that comes with the options.
 - b. Install the silicon plug into the strain relief to seal the line until ready for probe installation. Follow probe installation instructions found in the preparation section of the manual.
 - c. Mount control box into the holes provided on the control panel bracket.
 - d. Wire power cord inside main control box using the wiring diagram below.
 - e. Remove the plug on the outlet side of the filter pump, just past the mazzei injector. Replace with the 1/2 hose adapter.
 - f. Run the chemical hose provided from the outlet of the chemical pump and attach to the hose adapter.
 - g. With the other length of chemical hose and strainer, drop into the chemical bucket that will be used to adjust the PH or ORP.
 - h. Follow calibration and set-point instructions outlined in the preparation part of the manual.
3. Ozone:
 - a. Hang ozone generator from the back of the control panel bracket using brackets included with the assembly.
 - b. Attach provided blue hose from mazzei ball valve to the bottom outlet barb on the generator.
 - c. Wire the power cord into the main control box at the terminals shown in the field wire diagram.
 - d. Follow directions in the operation part of the manual and the manual included with the ozone generator.

STOP

TO ENSURE YOUR WATER RECYCLE TREATMENT SYSTEM OPERATES SAFELY AND EFFICIENTLY,
COMPLETE THE PRE-OPERATION CHECKLIST BEFORE PROCEEDING.

PRE-OPERATION CHECKLIST

Before proceeding, answer all the questions on this checklist.	YES	NO
CODES:		
1. <u>Does the electrical wiring meet all codes?</u> _____		
2. Does plumbing meet all codes?		
LOCATION:		
1. Is the unit located on a hard level surface free of flammable vapors, <u>combustible dust, gases or other combustible materials?</u> _____		
2. Is the unit located in a large ventilated area?		
ELECTRICAL:		
1. Is the unit properly grounded?		
2. Does the power supply, voltage and amperage match the data plate?		
PLUMBING:		
1. <u>Is the plumbing sized correctly?</u> _____		
2. <u>Is the check valve installed before the Sump Pump?</u> _____		
3. <u>Are all plumbing connections secured?</u> _____		
4. Are all hose connections secured?		
GENERAL:		
1. <u>Have all operators using this unit read and understood this entire manual?</u> _____		
2. Has the unit been installed by qualified service people who followed the instructions listed in this manual?		

NOTE: IF "NO" WAS MARKED TO ANY OF THESE QUESTIONS, CORRECT THE SITUATION BEFORE OPERATING.

PREPARATION

PRESTART PROCEDURES:

1. Position the valves on the WTR water recycling treatment system in the "Start-up Mode".
-Water Inlet Flow Control Valve: Turn valve one rotation short of completely closed.
 2. Be certain all hoses are securely connected.
 3. Be certain the incoming air tube to the **Ozone Generator** is not obstructed.
 4. Be certain all switches on the **Control Panel** are in the "OFF" position.
 5. Turn on the power supply. The **Power Indicator Light** should glow.
-

START-UP:

1. Ensure water supply to the **Fresh Water Makeup** is turned on and pit is filled with water. If the pit is not full, water will fill the **Product Tank** and overflow through the **Overflow Drain** and back to the **Sump Pit**.
2. To prime the **Filter Pump**, remove the lid over the **Basket Strainer** and fill the **Basket Strainer** and the plumbing from **Sump Pit** to the **Filter Pump** with water, then replace the lid.
3. Turn on the Filter Pump Switch and water will begin flowing into the system as air is purged from the lines.
4. Water will begin by-passing through the mazzi, pulling in air and flowing back to the pit system.
5. Increase the flow by adjusting the Water Inlet Control Valve to between 10-20GPM by using the flowmeter and reading from the top of the float.
6. Purge air from the cartridge filters by opening the relief valve on the top of the filter until water begins coming out of the filter.
7. Water will begin filling the Polishing Filter and Product Tank. As the Product Tank fills, it will eventually reach the overflow port and begin recirculation back to the pit system. If the water in the product tank continues to rise and reaches the filter pump shut-off float, then the inlet flow rate needs to be lowered.
8. When the water in the Product Tank has reached the overflow port, open the Pressure Washer Outlet Valve until water exits in order to prime the Transfer Pump.
9. Turn on the Transfer Pump Switch and allow the Pressure Tank to fill. The Transfer Pump will run until the pressure in the line reaches 50 PSI. The system is ready to feed a pressure washer or garden hose with recycled water.

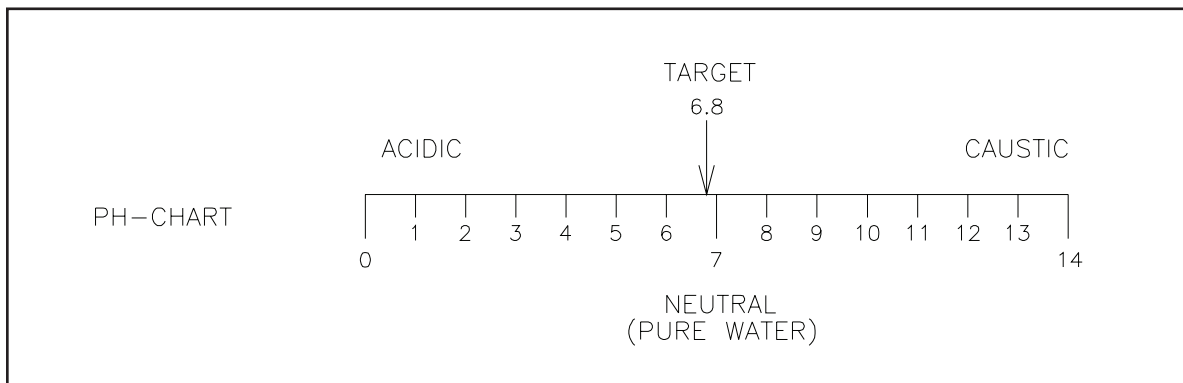
PREPARATION

pH AND ORP CONTROL SYSTEM (IF INCLUDED):

Proper pH and ORP levels must be maintained in the pit to prevent growth of bacteria, algae, odors, etc. Water must be chemically balanced to effectively recycle.

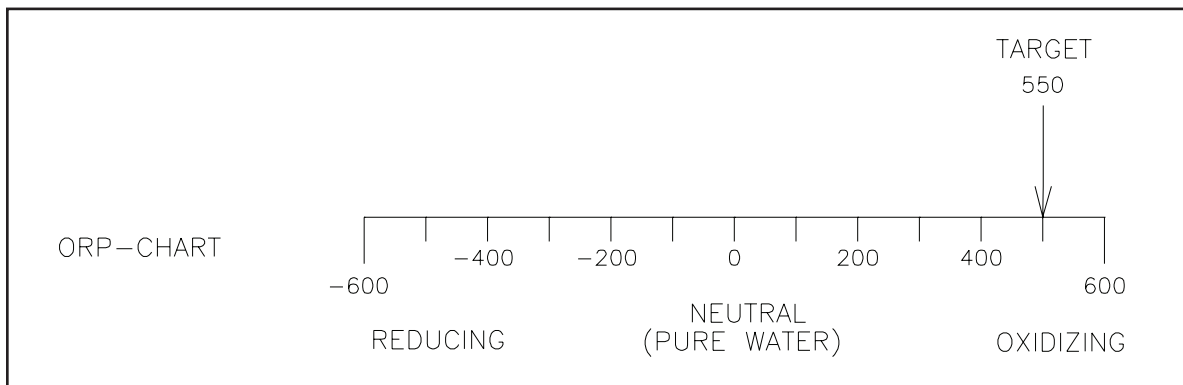
As water enters the system it moves past the **pH and ORP Sensors**. The **Sensor Probes** analyze the pH and ORP levels in the water.

- a. **pH Sensor Probe.** This probe analyzes the pH (acidity & alkalinity) in the water. If the water is too acidic (low pH) the acid will breakdown the iron present in the water to a liquid form, thus causing rusty looking water in the system. If the water is too alkaline (high pH) the bacteria killing potential of the ORP agent will be drastically lowered.



WLP-0008-112098-JJ

- b. **ORP Sensor Probe.** This probe analyzes the Oxidation Reduction Potential (ORP). This reading states amount of bacteria killing agent in the water.



WLP-0009-112098-JJ

The probes analyze the pH and ORP levels of the water and display the readings on the digital **pH and ORP Meters**.

PREPARATION

INSTALLATION OF pH AND ORP PROBES:

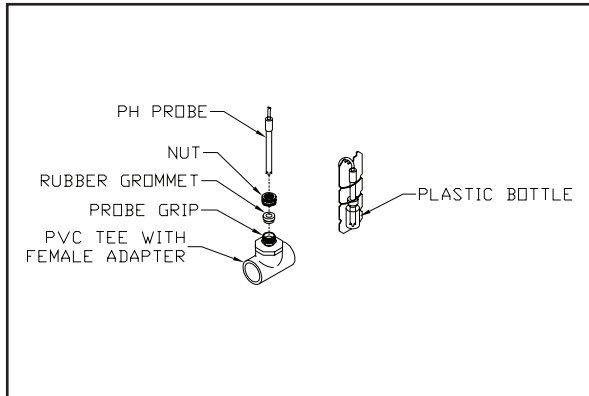
⚠ CAUTION: RISK OF PROBE DAMAGE!

DO NOT ALLOW PROBES TO BE EXPOSED TO AIR. ONCE PROBES ARE IN PLACE, TURN WATER ON IMMEDIATELY.

HANDLE PROBES CAREFULLY AS THEY ARE MADE OF GLASS.

DO NOT ALLOW PROBES TO BE EXPOSED TO FREEZING ENVIRONMENTS. KEEP THE ORIGINAL CONTAINERS IN WHICH THE PROBES WERE SHIPPED. THEY WILL BE NEEDED FOR PROBE STORAGE DURING WINTERIZING.

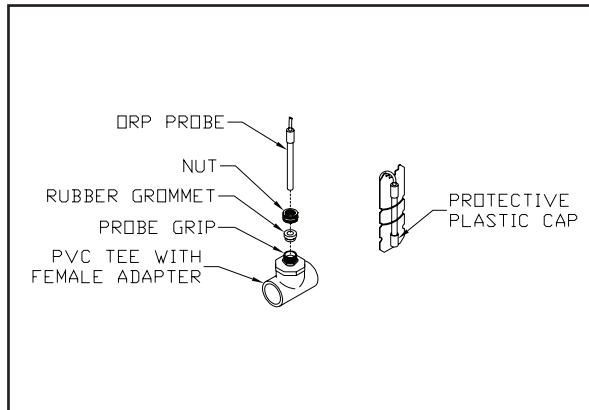
pH SENSOR PROBE



WLP-0006-110298-JJ

1. Turn off the Filter Pump Switch and ensure no water is being discharged.
2. Locate the probe grips at the sensor probes and unscrew the nut from one of the grips.
3. Remove one of the probes (pH or ORP) from its storage container. (Be certain to save the container for probe storage during winterizing.)
4. Carefully slide the probe grip nut over the glass probe.
5. Gently push the probe through the probe grip approximately 2 inches and tighten the nut onto the probe grip.
6. Repeat process for the remaining probe.
7. Turn on the Filter Pump Switch, and the pH/ORP Meters Switch.

ORP SENSOR PROBE



WLP-0007-112098-JJ

THE PROBES CANNOT BE ALLOWED TO DRY OUT.

PREPARATION

SETTING THE pH AND ORP METER:

Note: For new units, pH and ORP meters have already been set and calibrated. Filter pump and auxillary switch must remain on through process.

OPERATION:

KEYPAD OPERATION

1. "SEL" key; changes upper display to the first programming menu, advances the display through the menu and sets the programmed information into memory.
2. "∧" up arrow key, increases value displayed in the green (lower) display.
3. "∨" down arrow key, decreases value displayed in the green (lower) display.
4. Press and hold "SEL" key for approximately 3 seconds and "HYS" will appear in the upper display. Hold the "SEL" key for approximately 6 seconds and P-n1 will appear.

PROGRAMMING

1. How to change the set point:

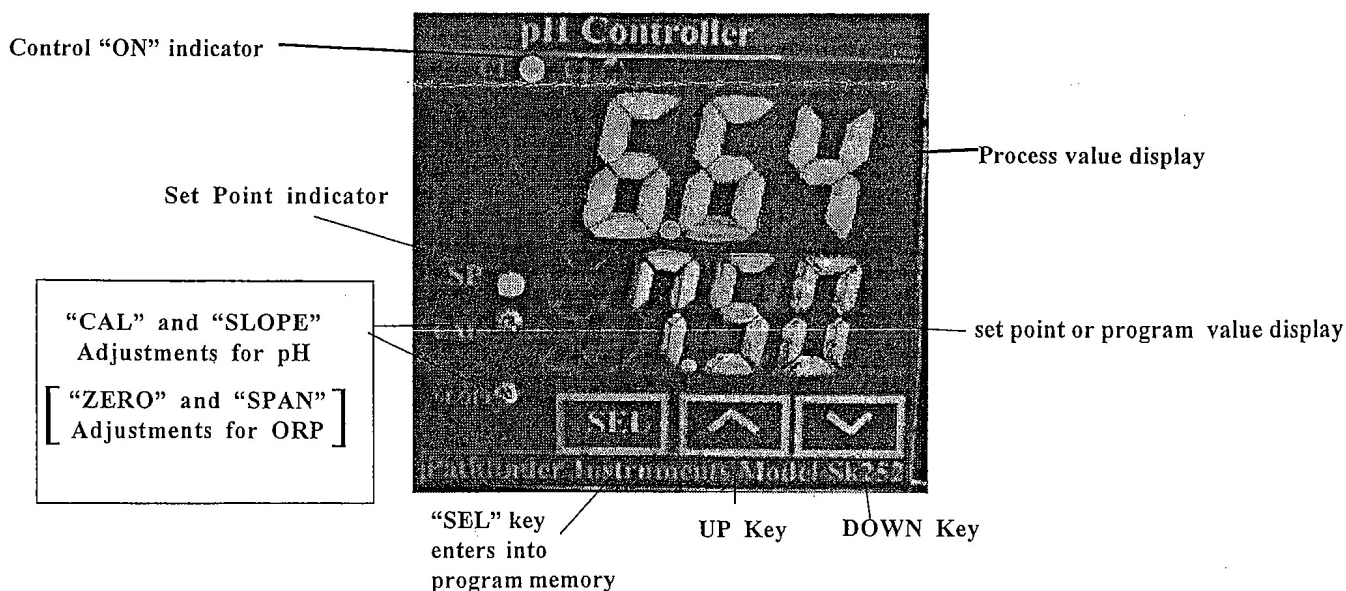
Press and hold the "∧" up or "∨" down arrow until the correct number appears, the new set point will be active after 5 seconds.

2. How to change the control action (Relay activates above or below the set point):

Hold the "SEL" key for approximately 6 seconds and "P-n1" will appear in the upper display, the control code will appear in the lower display, "0" or "1" will actuate below the set point, "2" or "3" will actuate above the set point. Press the "SEL" switch once, the value will flash, change the value with the "up" or "down" keys, and press the "SEL" key again to set it in memory. Holding the "SEL" key for approximately 2 seconds will return to normal operation.

3. How to program Hysteresis:

Hold the "SEL" key for approximately 3 seconds and "HYS" will appear in the upper display, the hysteresis amount will appear in the lower display, press the "SEL" key once and the amount will flash, change the amount to the desired value with the "up" or "down" keys, press "SEL" again to set it in memory. Holding the "SEL" key for approximately 2 seconds will return to normal operation.



Front Panel

PREPARATION

SETTING THE pH AND ORP METER:

CALIBRATION:

HOW TO CALIBRATE pH:

The front panel has two adjustments labeled "CAL" and "SLOPE", always adjust the CAL first.

1. Always make sure the pH probe is connected to the meter.
2. Place the probe in a #7 buffer solution. Adjust the "CAL" reading for a pH of 7.00.
Note: There is a limited shelf life on buffer solutions. Please make sure the buffer is active. In lieu of using buffer solutions, you may use part #RC-1003-0001, which is an electronic calibrator.
3. Remove and rinse the probe in tap water.
4. Place the probe in a #4 or #10 buffer, depending on the instrument usage (Acid or Base). Adjust the "SLOPE" to a reading of 4.0 or 10.0 pH.
5. Calibration complete.

HOW TO CALIBRATE THE ORP:

The front panel has two adjustments labeled "ZERO" and "SPAN", the ORP controller can be calibrated with a millivolt source substituted for a probe.

Short the input connector and adjust the ZERO adjustment for a reading of 0000. Apply +500 mV from an accurate millivolt source and adjust the SPAN adjustment for a reading of 0500.

To verify the accuracy of the ORP probe and ORP calibration, a kit is available from the manufacturer, it consists of enough materials to do 30 tests, it contains reagents, stirrers beakers and instructions.

FINAL pH AND ORP SYSTEM SETUP:

1. Place the hoses from the **pH and ORP Pumps** into the **Adjustment Chemicals**.
 - a. The recommended pH chemical for this system is aluminum sulfate.
 - b. The recommended ORP chemical for this system is Bleach.
2. Turn on the **pH and ORP Pump Switches**. Chemicals will be inserted into the water as necessary.

OPERATION

1. The water recycling treatment system is now ready to operate.
2. Ensure the switches on the **Control Panel** are in the following position:
Meter Switch
ON
Filter Pump *Transfer Pump* *Auxillary Systems*
ON **ON** **ON**
3. With the filter pump running, use the *Water Inlet Flow Control Valve* to make sure the flow is at a level so it does not over flow the holding tank. Somewhere between 10-20 GPM.
4. Monitor the system closely the first few days to ensure smooth operation.

MAINTENANCE

FILTERS:

Cartridge Filters: Inspect and clean as needed every couple months or when the filters become clogged. When the pressure gauge on the filter reads 30 PSI or higher it is time to clean or replace the filter. (New cartridges can be ordered through your local distributor. The 30 micron element is part number 19-0274 while the 5 micron element is part number 19-0282.)

1. Removing the Filter: Shut-off the filter pump. Unscrew the locking ring on top of the filter. Use a screw driver if needed and the handles to pry the filter lid off of the unit. Pull out filter.
2. Use a garden hose to clean the accumulated debris off of the filter and let it drain back into the pit system.
3. When the filter appears well cleaned place back into the housing. Inside of filter will need to slide onto the bottom protrusion of the filter housing in order to seal correctly. Make sure the O-ring is clean of debris and replace the lid and locking ring until tight.
4. Start back up filter pump. Pressure gauge should be back to normal (under 20 PSI). If pressure gauge still reads high it is time to replace the filter. Purge air from the filter by loosening the relief valve until water comes out whenever starting the filters back up.

NOTE: The back pressure caused from the polishing filter can also cause the cartridge filters to read a high pressure. Make sure the polishing filter is well maintained and reading under 20 PSI before replacing a cartridge filter due to a high pressure reading.

Polishing Filter: The polishing filter contains activated carbon media that will need to be back-washed once or twice a week. In addition the polishing filter should be back-washed whenever the pressure gauge reads 30 PSI or higher.

BACKWASHING THE POLISHING FILTER:

1. With the filter pump still on, dial the inlet flow meter down to below 10 GPM.
2. Shut-off the filter pump switch.
3. Turn the 7-way dial valve on top of the filter to the back wash setting.
4. Turn back on the filter pump switch. Water should be seen leaving the polishing filter back wash port.
5. Adjust flow as needed to keep as much of the carbon from washing out as possible. It is normal to get a few small pieces flushed out, but large amounts will result in a depletion of the media over time.
6. After about 3 to 5 minutes or when the water quality visibly clears up (matches incoming water), shut off the filter pump switch.
7. Switch back the 7-way dial valve on top of the filter to the normal operation setting.
8. Turn back on filter pump switch and adjust inlet control valve to 10-20GPM.
9. Verify pressure gauge on the polishing filter is now reading lower pressure.

REMOVING & REFILLING MEDIA FROM THE POLISHING FILTER:

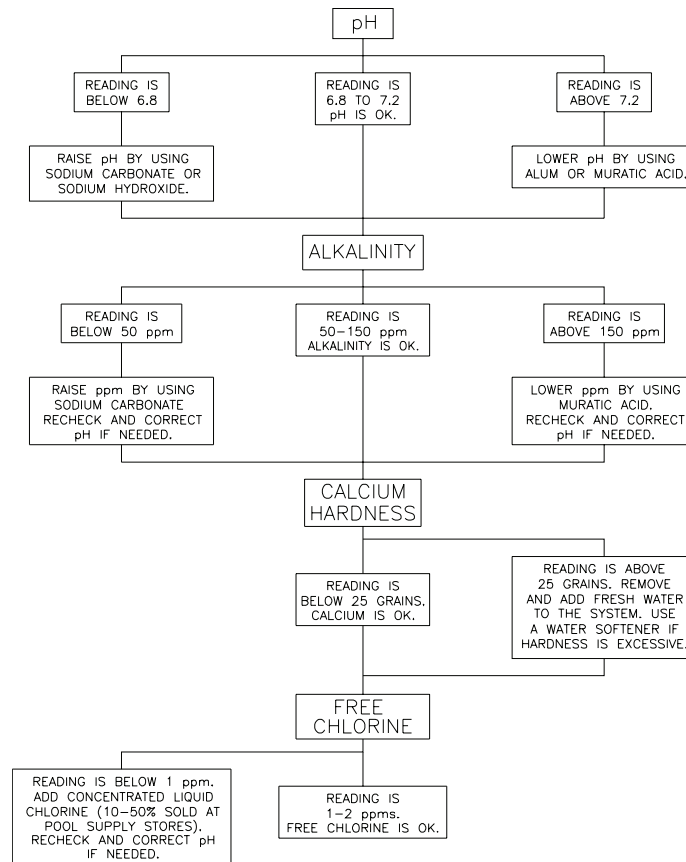
1. New carbon can be ordered from your local distributor under the 33-0302 part number. The filter requires 110 lbs. of carbon.
2. Be certain to wear proper attire such as goggles, gloves, coveralls, dust mask, etc. to protect eyes and skin.
3. Turn off the **Filter Pump Switch**.
4. Remove the top from the desired filter tank and drain water.
5. Use a vacuum to remove the media from the filter.
6. Ensure the lateral assembly remains centered and flush on the bottom of the tank and the layers are level when pouring media into the filter tank.
7. Reassemble the dispersing section of the filter tank and replace its lid.
8. Turn on the **Filter Pump Switch**. DO NOT backwash **Polishing Filter** until unit has been in operation for 24 hours.
9. Dispose of used media according to EPA standards.

MAINTENANCE

WATER TESTING:

Water chemical makeup should be tested on a weekly basis. With the **Filter Pump** operating, use a test strip, test the water in the **Sump Pit**. (Follow the directions given with your test strips.) Use the flow chart below to check and correct the following:

1. pH: Acidity and alkalinity in the water. Low pH (acidic) will cause rusty looking water.
2. Alkalinity: Dissolvable salts in the water. Too much alkaline causes cloudiness and reduces filter life.
3. Calcium Hardness: Calcium in the water. Too much calcium creates scale buildup in coils of hot water pressure washers.
4. *Free Chlorine: Chlorine which is not combined with dirt, oils, etc. Controls odor, bacteria and algae formation.
**If using chlorine as a water purifying agent.*



WINTERIZING:

If you must store your unit in an area where the temperature may fall below 32°F/0°C, you can protect your water recycling treatment system by draining all water from the system.

1. Turn all switches on the **Control Panel** to the OFF position and disconnect power to the **Control Panel**.
2. Open the check valve near the **Sump Pit** and drain the water transport line. Drain **Filter Pump**.
3. Open check valve at the inlet and drain the inlet line.
4. Remove drain plug from **Polishing Filter** and loosen the lid on each filter. Break the unions on each side.
5. Loosen unions and lid on **Cartridge Filter** to allow them to drain.
6. Remove the drain plug from the **Filter Pump**.
7. Remove the drain plug from the **Transfer Pump**.
8. Open **Outlet Valves** and union by pressure tank and let drain.
9. Remove the **pH and ORP Sensor Probes** and place them in their original containers filled with deionized water. Store at room temperature.
10. Store all chemicals at room temperature.

WLP-0015-112398-JJ

TROUBLESHOOTING

SYMPTON	PROBABLY CAUSE	REMEDY
FILTER PUMP		
Filter Pump will not run.	Floats are not adjusted correctly in the Sump Pit .	Readjust.
	Not enough water in the Sump Pit .	Add water to the Sump Pit .
	Float 1 is defective.	Replace.
	High Sump Pump Float in the Product Tank has flipped up.	Slow down flow with inlet Control Valve . Remove clogs from Recirculation Line .
	Circuit overload/breaker has tripped.	Reset breaker or replace fuse at power source.
	Motor overload.	Allow motor to cool. Motor will automatically restart when cool.
Filter Pump motor starts and stops frequently.	Motor is defective.	Replace pump.
	This is a common occurrence on initial start-up while pits are filling.	Allow pits to fill.
	Excessive water flow to reclaim unit.	Turn valve clockwise to reduce flow.
	Filter Pump impeller is clogged.	Disconnect power and unclog impeller.
	Motor overload.	Allow motor to cool. Motor will automatically restart when cool.
	Sump Pit is not large enough.	Expand size of pit.
Filter Pump runs, but there is little or no water discharge.	Strainer basket in Filter Pump is clogged.	Clean, repair or replace.
	Water level is below pump inlet.	Ensure Float 1 is not caught in plumbing.
	There is an air lock in the Filter Pump .	Manually fill the inlet pipe with water.
	Low voltage.	Ensure wire size is capable of handling the rated amperage of the unit. If wire size is correct, contact your distributor.
Filter Pump will not turn off.	Clogged impeller or worn pump parts.	Contact your distributor.
	Defective switch inside Float 1.	Replace
	Pump is air locked.	Cycle pump in one minute increments several times to clear air from pump.
ELECTRICAL		
No power at Control Panel .	Power failure to Control Panel .	Check circuit breaker at power source or contact your local distributor.
Power Indicator Light is OFF.	Blown fuses inside Control Panel .	Check fuses, replace if necessary. If fuses are OK, contact your distributor.
SHAFT SEALS		
Water is leaking at pumps.	Damaged stationary shaft seal.	Seal ran dry. Ensure seal chamber is filled with liquid.
Short seal life.	Unexpected temperature and chemical usage.	Replace with heavy duty seal.

TROUBLESHOOTING

SYMPTON	PROBABLY CAUSE	REMEDY
TRANSFER PUMP		
Transfer Pump runs but there is low water discharge.	Water is being used elsewhere.	Reduce flow to other source or contact your local distributor.
	Low Transfer Pump Float is not functioning.	Check On/Off with voltmeter. Repair or replace.
	Plumbing is obstructed or too small.	Remove obstruction or use larger plumbing.
Transfer Pump cycles excessively.	Solenoid valve(s) is open or stuck open	Fix Solenoid valve(s) or reduce flow.
	Pump sucking air.	Eliminate leaks and tighten all connections on intake line.
	Bladder failure in Pressure Tank .	Replace Pressure Tank .
	Pressure switch malfunction.	Adjust pressure settings.
	Too low of pressure in the Pressure Tank .	Increase pressure.
Transfer Pump does not turn off	Wait 10 minutes when no water is being discharged.	Normal Operation.
	Pressure switch line is obstructed.	Disconnect line and remove obstruction. Replace.
	Pressure switch contacts are frozen.	Replace if necessary.
	Impeller is obstructed.	Contact your local distributor.
SOLENOIDS		
Solenoid valve won't turn on	Low or no water pressure.	Turn off water, switch solenoids between valves. Turn on water. If problem is corrected, replace faulty solenoid.
	No electrical contact to solenoid	Contact your local distributor.
Solenoid valve leaks when turned off.	Solenoid is obstructed.	Turn off water, remove and clean solenoid
	Damaged solenoid.	Replace
	Solenoid o-ring is misaligned or damaged	Realign or replace.
	Diaphragm seat is dirty.	Clean or replace
	Diaphragm is damaged	Replace
ODOR		
Excessive odor in water system	Not enough chemicals in the system to maintain water balance.	Add or adjust pH, ORP, or ozone options.
CHEMICALS		
Excessive chemical usage.	pH and ORP Meters are calibrated incorrectly or faulty probes.	Recalibrate meters or change probes.
Low chemical usage (with possible odor.)	Chemical pumps are not working.	Replace chemical hose inside pump. Recalibrate pH and ORP Meters .

TROUBLESHOOTING

SYMPTON	PROBABLY CAUSE	REMEDY
WATER FLOW		
Air shoots from Water Outlet..	This is a common occurrence while pump is priming.	Air will stop shooting from the water outlet when pump is primed.
	Transfer Pump is sucking air at suction inlet.	Eliminate leaks or tighten connection.
Water will not turn off.	Solenoid failure.	Repair or replace.
No water to product tank.	Filter pump is off.	See trouble shooting instructions for Filter Pump
	Filters are clogged	Clean, replace, or Back-wash Filters.
pH / ORP METERS		
pH Pump is not running when HIGH light on pH Meter is lit.	pH or ORP Meter reading is not numeric	Turn pH / ORP Meters Switch to "OFF" position for 5 seconds then turn "ON" again.
	Pump Shaft is stuck	Turn shaft of pump with fingers to loosen shaft
pH / ORP Meters will not turn on.	Auxiliary switch is in "OFF" position	Turn to "ON" position.
	Filter Pump is off.	See Filter Pump trouble shooting instructions



STATEMENT OF WARRANTY

The manufacturer warrants all parts (except those referred to below) of your new WLP Water recycling Treatment system to be free from defects in materials and workmanship during the following periods:

For One (1) Year from the date of original purchase:

Defective parts not subject to normal wear and tear will be repaired or replaced at the manufacturer's option during the warranty period. In any event, reimbursement is limited to the purchase price paid.

EXCLUSIONS

1. The motor is covered under separate warranty by its respective manufacturer and is subject to the terms set forth therein.
2. Normal wear parts:

Seals	Filters	Gaskets
O-rings	Packings	Brushes
Filtering Media	Sensors	
3. Parts damaged due to:
 - normal wear, misapplication, modifications/alterations, abuse,
 - operation at other than recommended speeds, pressures or temperature,
 - the use of caustic liquids,
 - chloride corrosion or chemical deterioration,
 - fluctuations in electrical or water supply,
 - operating unit in an abrasive, corrosive or freezing environment.
4. Parts damaged by failure to follow recommended:
 - installation, operating and maintenance procedures.
5. This warranty does not cover the cost of:
 - normal maintenance or adjustments,
 - labor charges,
 - transportation charges to Service Center,
 - freight damage.
6. The use of other than genuine manufacturer parts will void warranty. Parts returned, prepaid to the manufacturer's factory or to an Authorized Service Center will be inspected and replaced free of charge if found to be defective and subject to warranty. There are no warranties which extend beyond the description of the face hereof. Under no circumstances shall the manufacturer bear any responsibility for loss of use of the unit, loss of time or rental, inconvenience, commercial loss or consequential damages.

INTRODUCTION	30
CONTENU DU SYSTEME DE TRAITEMENT ET DE RECYCLAGE DES EAUX WTR-SERIES	31
CARACTERISTIQUES	31
AVERTISSEMENTS IMPORTANTS DE SECURITE	32
DIAGRAMME DE FLUX	35
WTR FEATURES	37
INSTALLATION	39
LISTE DE CONTRÔLE	43
PREPARATION	44
FONCTIONNEMENT	49
ENTRETIEN	50
DEPANNAGE	52
DÉCLARATION DE GARANTIE	55

⚠ WARNING

AVERTISSEMENT: Ce produit contient du plomb, un produit chimique qui est connu par l'état de Californie comme étant la cause de cancer et de malformations congénitales ou autres effets nocifs de reproduction.

Laver vos mains après avoir manipulé ce produit.

⚠ AVERTISSEMENT

Ce produit contient un ou plusieurs produits chimiques qui sont connus par l'état de Californie comme étant la cause de cancer, de défauts de naissance et d'autres problèmes reproductifs.

INTRODUCTION

Félicitations de l'achat de votre nouveau Système de Traitement et de Recyclage des Eaux! Vous pouvez être assuré que votre nouveau Système de Traitement et de Recyclage des Eaux a été construit et conçu avec le plus haut souci de qualité et haute performance. Chaque composant a été rigoureusement testé pour garantir le plus haut degré de satisfaction.

Ce manuel opérateur a été dressé pour que vous en retiriez le meilleur parti. Par la lecture et l'application des mesures simples de sécurité, d'installation, d'opération, d'entretien et de dépannages décrits dans ce manuel, votre nouveau Système de Traitement et de Recyclage des Eaux fonctionnera sans faille pendant de nombreuses années. Le contenu de ce manuel est basé sur la dernière information disponible du produit au moment de la publication. Le fabricant se réserve le droit d'effectuer des changements de prix, de couleur, de matériaux, d'équipement, de caractéristiques ou de modèles à tout moment sans communication préalable.

! IMPORTANT !

Dans le guide, certains paragraphes qui traitent de sécurité sont encadrés. L'encadrement est destiné à mettre en évidence les consignes de sécurité qui doivent être suivies lors de l'utilisation de l'appareil. Ces consignes sont précédées d'un «mot d'alerte» qui indique le degré ou le niveau de gravité du danger. Les mots d'alerte utilisés dans ce manuel sont les suivants:

DANGER: Signale un risque certain de blessures graves voire mortelles.

AVERTISSEMENT: Signale un risque de blessures graves voire mortelles.

ATTENTION: Signale un risque de blessures légères ou de dommages de gravité moyenne.



À GAUCHE DE CERTAINS PARAGRAPHES FIGURE UN «SYMBOLE D'ALERTE DE SÉCURITÉ» DESTINÉ À ATTIRER L'ATTENTION SUR LES PRATIQUES OU LES MÉTHODES DANGEREUSES POUR LES UTILISATEURS DE L'APPAREIL.



REMETTRE UNE COPIE DE CE MANUEL À QUICONQUE UTILISE L'APPAREIL. LIRE TOUTES LES DIRECTIVES AVANT D'UTILISER L'APPAREIL DE ET ATTIRER TOUT PARTICULIÈREMENT L'ATTENTION SUR LES «CONSIGNES DE SÉCURITÉ» DESTINÉES À ÉVITER DE SE BLESSER EN UTILISANT L'APPAREIL.



Après avoir déballé l'appareil, en inscrire immédiatement le numéro de série ci-dessous.

NUMÉRO DE SÉRIE _____

Veillez inspecter soigneusement l'appareil pour vous assurer qu'il est intact. En cas d'avarie, adressez immédiatement une réclamation au transporteur. N'utilisez l'appareil qu'après avoir fait remplacer toute pièce endommagée et fait régler tous les problèmes d'ordre mécanique. Contactez votre représentant du service à la clientèle .

Avant d'appeler, veuillez disposer des renseignements suivants :

1. Numéro de modèle
2. Numéro de série
3. Date et lieu d'achat

CONTENU DU SYSTEME DE TRAITEMENT ET DE RECYCLAGE DES EAUX WTR-SERIES

Déballer votre nouveau Système de Traitement et de Recyclage des Eaux WTR-Séries avec précaution. Comparer le contenu à la liste des articles. Contacter la compagnie de transport si un rapport de dommages est nécessaire sur tout composant. Les articles suivants sont le matériel de base fournis avec votre Système de Traitement et de Recyclage des Eaux WTR-Séries.

- | | |
|--|---|
| <ol style="list-style-type: none"> 1. Plateforme du Système de Traitement et de Recyclage des Eaux <ol style="list-style-type: none"> a. Pompe du Filtre b. Débitmètre d'entrée c. Filtre à cartouches d. Filtre de polissage e. Réservoir produit f. Pompe de transfert g. Réservoir d'eau sous pression | <ol style="list-style-type: none"> 2. Trois flotteurs détachés pour le puisard <ol style="list-style-type: none"> a. Bleu: Protège la pompe de vidange bas niveau. b. Rouge: Pour remplir le puisard de la prise d'eau douce. c. Bleu: Décharge de niveau haut du puisard. 3. Kit d'examen d'eau 4. Manuel et Liste des pièces 5. Détecteur de sonde pH avec option pH 6. Sonde ORP avec option ORP 7. Générateur d'ozone avec option ozone |
|--|---|

CARACTERISTIQUES


CARACTERISTIQUES			
MODÈLE	WTR-10-0M10	WTR-10-0M30	WTR-10-0M30 (WX-0132)
DÉBIT MAXIMUM	10 GPM		
ELECTRIQUE	208-230V/ 1PHASE / 15 AMPS	208-230V/ 3 PHASE/ 8 AMPS	460V/ 3 PHASE/ 4 AMPS
POMPE DU FILTRE	1 HP		
FILTRE À CARTOUCHE 1	30 MICRON, 100 PIEDS CARRÉS		
FILTRE À CARTOUCHE 2	5 MICRON, 100 PIEDS CARRÉS		
FILTRE DE POLISSAGE	110 LIVRES DE CHARBON ACTIF		
POMPE DE TRANSFERT	1/2 HP		
RÉSERVOIR DU PRODUIT	80 GALLONS (302 LITRES)		
RÉSERVOIR DE PRESSION	20 GALLONS (75 LITRES)		
DIMENSIONS	1.83M LONGUEUR X 1.21M LARGEUR X 1.52M HAUTEUR		
POIDS NET	750 LBS (340 KG)		
OPTIONS ET ACCESSOIRES			
CONTRÔLE DU PH (WX-0130)	<1 AMP. 48ML/MIN POMPE CHIMIQUE		
CONTRÔLE DE L'ORP (WX-0131)	<1 AMP. 48ML/MIN POMPE CHIMIQUE		
OZONE (855-0046)	12 WATTS, 6 GRAMMES PAR JOUR		



AVERTISSEMENTS IMPORTANTS DE SECURITE

LIRE TOUS LES AVERTISSEMENTS DE SECURITE AVANT L'UTILISATION DU SYSTEME DE TRAITEMENT ET DE RECYCLAGE DES EAUX







DANGER	CONSEQUENCE POSSIBLES	PREVENTION
<p data-bbox="162 241 422 325">RISQUE DE CHOC ELECTRIQUE OU D'ELECTROCUTION</p> 	<p data-bbox="511 241 925 493">Une mise à la terre incorrecte du Système de Traitement et de Recyclage des Eaux peut entraîner des blessures graves ou mortelles. Votre Système de Traitement et de Recyclage des Eaux fonctionne à l'électricité et peut être la cause d'un choc électrique ou d'électrocution s'il n'est pas installé correctement..</p> <p data-bbox="503 945 933 1060">Un choc électrique est possible si le Système de Traitement et de Recyclage des Eaux n'est pas utilisé correctement.</p> <p data-bbox="503 1207 933 1323">Des réparations électriques faites par des personnes non-qualifiées peuvent entraîner des blessures graves ou mortelles.</p>	<p data-bbox="950 241 1477 325">L'installation de cet appareil, y compris les raccords électriques, doivent respecter tous les codes locaux, provinciaux et nationaux.</p> <p data-bbox="950 346 1477 577">Cet appareil doit être mis à la terre. Connecter le à un disjoncteur mis à la terre s'il y en a un de disponible. Si l'appareil s'avère défectueux ou tombe en panne, la mise à la terre offre un trajet de moindre résistance au courant électrique pour réduire le risque de chocs électriques. Ne pas relier le conducteur de mise à la terre à un tuyau d'alimentation de gaz.</p> <p data-bbox="950 598 1477 735">Un branchement incorrect du conducteur de mise à la terre de l'appareillage peut entraîner un risque d'électrocution. Consulter un électricien qualifié ou un dépanneur en cas de doutes concernant la mise à la terre du système.</p> <p data-bbox="950 756 1477 892">Toujours s'assurer que l'appareil reçoit un voltage correct (+/-5% du voltage inscrit sur la plaque du fabricant). Avant d'effectuer les raccords électriques, s'assurer que les interrupteurs sont en position d'ARRÊT (OFF).</p> <p data-bbox="950 913 1477 966">Garder tous les raccords électriques au sec et au-dessus du sol.</p> <p data-bbox="950 987 1477 1102">NE JAMAIS permettre aux parties métalliques du Système de Traitement et de Recyclage des Eaux d'entrer en contact avec des composants électriques sous tension.</p> <p data-bbox="950 1123 1477 1291">Ne jamais utiliser le Système de Traitement et de Recyclage des Eaux lorsque les panneaux/ couvercles de protection sont enlevés ou endommagés. S'assurer que tous les panneaux électriques sont bien en place lors de l'utilisation.</p> <p data-bbox="950 1312 1477 1480">Toutes réparations ou tous câblages électriques effectués sur ce Système de Traitement et de Recyclage des Eaux doivent être effectués par le personnel d'un centre de service autorisé conformément aux codes d'électricité locaux et nationaux.</p> <p data-bbox="950 1501 1477 1900">Avant d'ouvrir toute enveloppe de protection électrique, toujours mettre le système de traitement et de recyclage des eaux à l'arrêt et purger toute l'eau. Débrancher le système de traitement et de recyclage des eaux du bloc d'alimentation. Si le tableau de distribution de puissance n'est pas en vue, verrouiller l'unité en position ouverte et marquer le pour éviter une utilisation de courant électrique. (Ne jamais supposer que vous pouvez entretenir/réparer le système de traitement et de recyclage des eaux en toute sécurité simplement parce qu'il est à l'arrêt! L'unité peut redémarrer à tout moment! Toujours débrancher du bloc d'alimentation.))</p>



AVERTISSEMENTS IMPORTANTS DE SECURITE

LIRE TOUTS LES AVERTISSEMENTS DE SECURITE AVANT L'UTILISATION DU SYSTEME DE TRAITEMENT ET DE RECYCLAGE DES EAUX





DANGER	CONSEQUENCE POSSIBLES	PREVENTION
<p>RISQUE D'EXPLOSION OU D'INCENDIE</p>  	<p>Une étincelle électrique du système peut être la cause d'une explosion ou d'un incendie qui peuvent entraîner des blessures graves ou mortelles.</p>	<p>Cette unité doit être installée dans un endroit bien aéré, libre de vapeurs inflammables, de poussières, des gaz ou autres matériaux combustibles.</p>
<p>RISQUE D'ÉCLATEMENT</p> 	<p>Une pression excessive dans le système peut être la cause d'un éclatement qui peut entraîner des blessures graves ou mortelles.</p> <p>Toute tentative de mise en marche du système de traitement et de recyclage des eaux lorsque la pompe est gelée peut entraîner des blessures graves.</p>	<p>Ne pas maltraiter les manomètres du système. Les manomètres auront un mauvais fonctionnement s'ils sont soumis à des pressions, vibrations, pulsations ou températures excessives ou s'ils sont placés dans un environnement qui cause la corrosion de pièces. Des relevés incorrects sur un manomètre peuvent tromper l'utilisateur et le placer dans une situation de travail dangereuse. Ne pas utiliser une pompe de surpression ou tout type de système supplémentaire de pompage. Pressuriser l'aspiration de la pompe peut être la cause d'une explosion du corps de la pompe.</p> <p>Ne pas utiliser ce système de traitement et de recyclage des eaux pour pomper des matières inflammables! Une accumulation de vapeurs de gaz dans le système peut entraîner une explosion.</p> <p>Sous des températures sujettes au gel, l'unité doit toujours être dans un environnement assez chaud pour éviter la formation de glace dans la pompe. Si le système de traitement et de recyclage des eaux a été dans un environnement sujet au gel, ne pas le démarrer sans d'abord permettre à la pompe de dégeler.</p>
<p>RISQUE DE BRÛLURES</p> 	<p>Le fait de toucher le moteur électrique peut entraîner des blessures graves. Cette partie peut rester chaude pendant un certain temps après l'arrêt du système de traitement et de recyclage des eaux.</p>	<p>Veiller à ne jamais permettre à toute partie de votre corps de toucher le moteur électrique avant son refroidissement.</p>



AVERTISSEMENTS IMPORTANTS DE SECURITE

LIRE TOUS LES AVERTISSEMENTS DE SECURITE AVANT L'UTILISATION DU SYSTEME DE TRAITEMENT ET DE RECYCLAGE DES EAUX



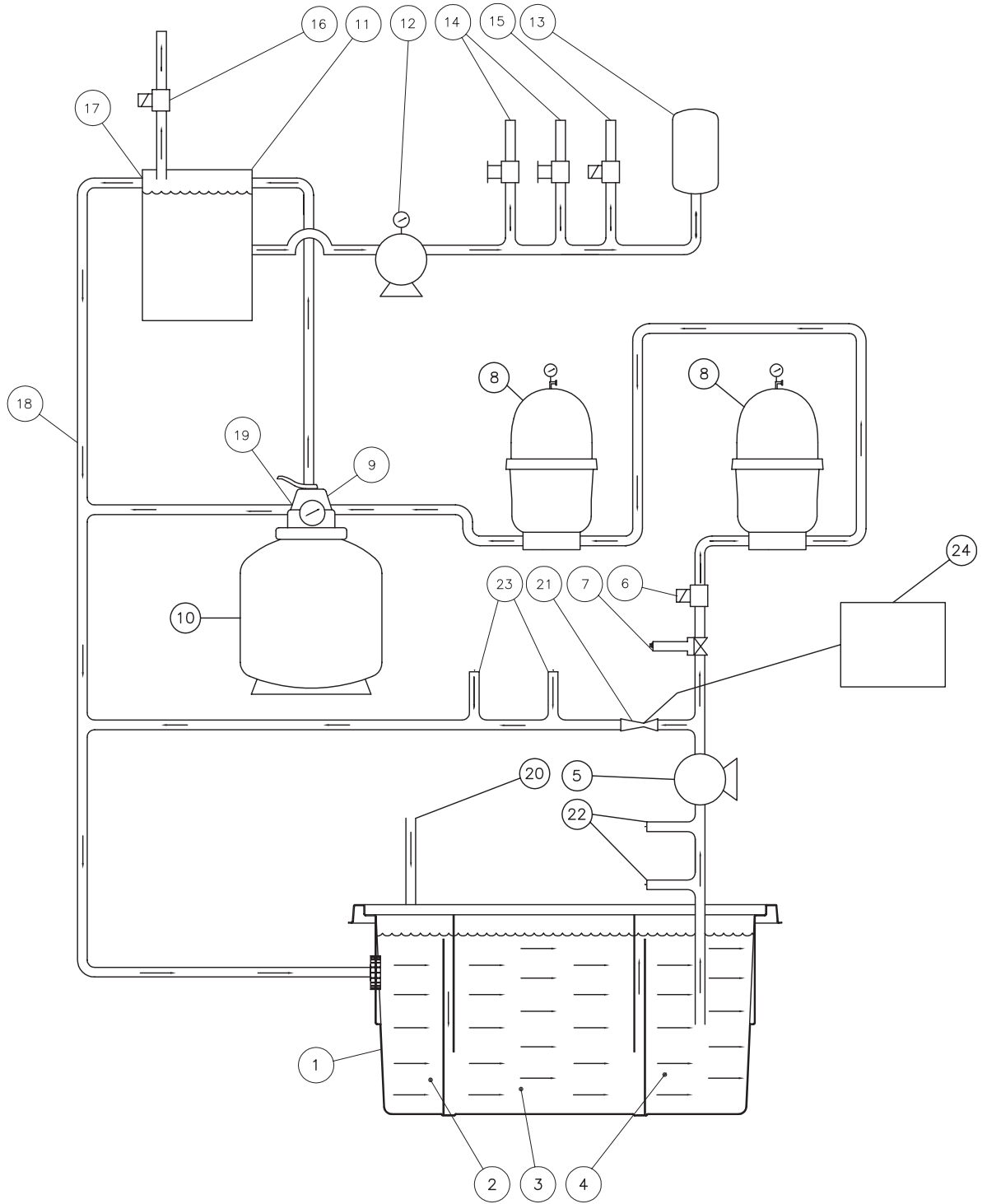
DANGER	CONSEQUENCE POSSIBLES	PREVENTION
<p>RISQUES POSÉS PAR LES PIÈCES EN MOUVEMENT</p> 	<p>Les pièces en mouvement du système de traitement et de recyclage des eaux sont susceptibles de causer des blessures graves à l'utilisateur.</p>	<p>Ne pas faire fonctionner l'unité sans que tous les capots de protection soient en place.</p> <p>Respecter les instructions d'entretien contenues dans ce manuel.</p>
<p>RISQUE DE BLESSURES CORPORELLES</p> 	<p>Le système de traitement et de recyclage des eaux peut être la cause de blessures.</p> <p>Le contact de produits chimiques avec la peau peut être la cause de blessures.</p>	<p>NE PAS BOIRE L'EAU DU système de traitement et de recyclage des eaux! C'est une eau non-potable et impropre à la consommation.</p> <p>NE JAMAIS permettre aux enfants d'utiliser cet appareil.</p> <p>NE PAS se mettre hors de portée ou se tenir sur un support instable.</p> <p>Les surfaces mouillées peuvent être glissantes. Porter des chaussures de protection et constamment assurer son équilibre et avoir le pied sûr.</p> <p>Savoir comment arrêter le système de traitement et de recyclage des eaux. Bien connaître toutes les commandes.</p> <p>TOUJOURS arrêter le système de traitement et de recyclage des eaux avant l'entretien.</p> <p>Ne jamais utiliser de solvants, de détergents fortement corrosifs ou de produits nettoyants acides avec ce système de traitement et de recyclage des eaux.</p> <p>Tenir tous les produits chimiques hors de portée des enfants!</p> <p>Consulter les fiches signalétiques (MSDS) pour le maniement prudent des produits chimiques utilisés avec votre système, surtout les matières comburantes et les acides.</p>



!CONSERVER CES INSTRUCTIONS!



DIAGRAMME DE FLUX



— = DIRECTION OF WATER FLOW

WTR 10-0M10_30 FLOW DIAGRAM

DIAGRAMME DE FLUX DANS LE WTR-SYSTEME

L'eau usée par un Processus de lavage ou autre (20) est recueillie dans un **Système de cuves (1)** souterrain. Un Système de Cuves bien conçu permet aux particules solides et graisses d'être extraites du système et se composera d'un **Bassin de Collecte d'Eau de Lavage (2)**, **Chambre de Décantation (3)**, et d'un **Puisard (4)**. Au bout du Système de cuves, la **Pompe du Filtre (5)** remonte l'eau vers le système de traitement d'eau. L'eau passe d'abord par la **Vanne d'arrivée (6)** et le **Débitmètre (7)**. Ceux-ci sont utilisés en conjonction pour réguler le débit vers les filtres. L'eau circule ensuite dans les premiers et deuxièmes **Filtres à cartouche (8)**. La combinaison des filtres à cartouche enlèvera toutes les particules solides jusqu'à une taille de 5 microns. Après les filtres à cartouche, l'eau entre dans la **Vanne 7 voies (9)** du Filtre et dans le **Filtre de polissage (10)** contenant du charbon actif. Le charbon enlève les matières dissoutes solides, organiques, et métalliques du système tout en éliminant aussi les odeurs.

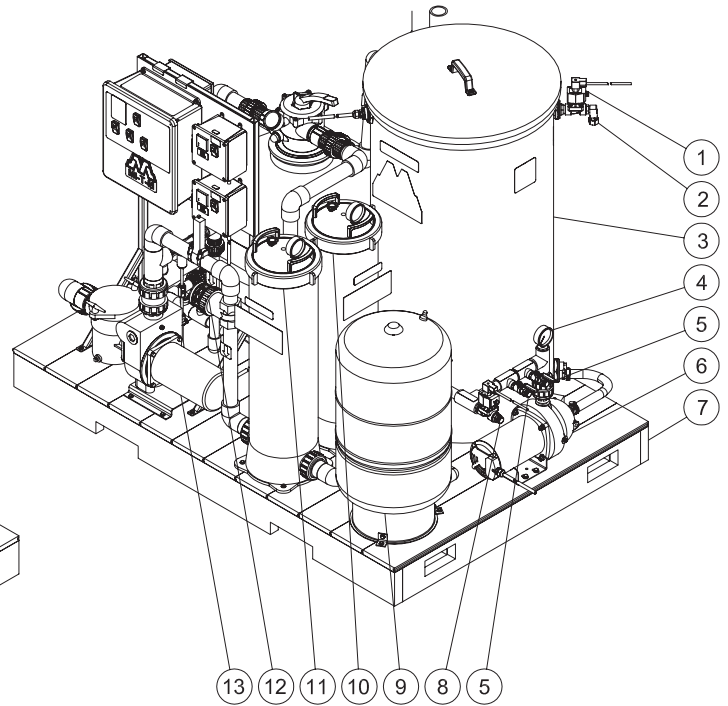
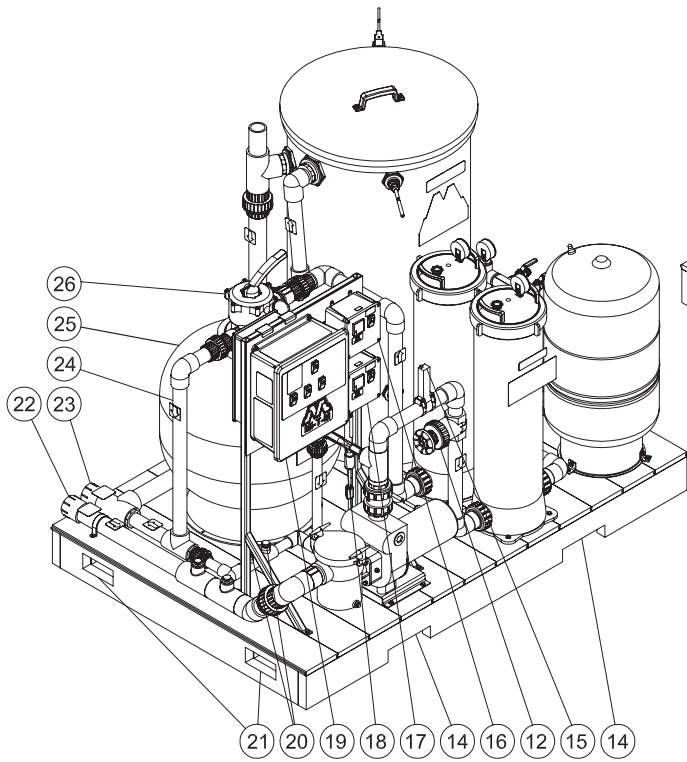
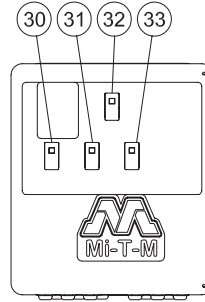
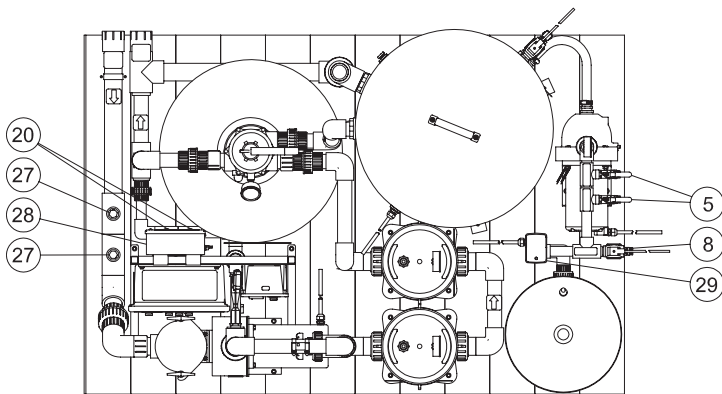
Après le processus de filtration, l'eau est livrée au **Réservoir Produit (11)**. La **pompe de transfert (12)** tire l'eau du **Réservoir Produit (11)** et remplit le **Réservoir sous pression (13)** et manifold avec de l'eau sous pression. Les deux **Vannes de Sortie d'eau (14)** délivrent l'eau traitée pressurisée à la demande pour des nettoyeurs sous pression, eau de rinçage pour tuyau de jardin, ou autres processus. Afin de recirculer l'eau filtrée, quand l'eau dans le **Réservoir Produit (11)** atteint le **Trop-plein du Réservoir de Produit (17)** elle repart dans la cuve par la **Ligne de Recirculation (18)**.

Afin de maintenir une circulation permanente de l'eau dans le système, une partie du flux d'eau est dérivée après la **Pompe du Filtre (5)** et renvoyée au **Système de cuves (1)**. L'eau circule au travers d'un **Injecteur Venturi (21)** ou est injecté dans l'eau de l'air ou de l'ozone par l'intermédiaire du **Générateur d'ozone (24)** optionnel. L'air et l'ozone aident à l'élimination des odeurs dans le **Système de cuves (1)**. Si le contrôle d'ORP ou de pH est nécessaire, des **Sondes (22)** sont placées sur l'admission de la **Pompe de Filtrage (5)** pour surveiller le pH et l'ORP. Des **Orifices d'Injection Chimiques (23)** sont situés dans la ligne de dérivation où le produit chimique d'ORP et de pH est ajouté automatiquement et acheminé au **Système de cuves (1)**.

Dans le cadre de la maintenance programmée, le **Filtre de polissage (10)** devra subir un rétrolavage périodique. Quand la **Vanne 7 voies (9)** du filtre est en position rétrolavage, l'eau circule dans le sens inverse de la filtration vers le **Port Rétrolavage (19)** et retourne au **Système de cuves (1)** par la **Ligne de Recirculation (18)**.

Dans le **Système de cuves (1)** des flotteurs contrôlent automatiquement la **Vanne Solénoïde de Complément d'Eau Douce (16)** pour ajouter de l'eau douce au Réservoir Produit (11) et la **Vanne Solénoïde de Débordement d'Eau de Pluie (15)** pour évacuer l'excédent d'eau du système quand nécessaire.

WTR FEATURES



PIÈCE DESCRIPTION

1. VANNE SOLÉNOÏDE EAU DOUCE
2. RACCORDEMENT EAU DOUCE
3. RÉSERVOIR PRODUIT
4. MANOMÈTRE DE LA POMPE DE TRANSFERT
5. VANNE DE SORTIE D'EAU
6. POMPE DE TRANSFERT
7. PALETTE
8. VANNE SOLÉNOÏDE EXCÉDENT EAU DE PLUIE
9. RÉSERVOIR SOUS PRESSION
10. FILTRE 5 MICRONS
11. FILTRE 30 MICRONS
12. VANNE D'ARRIVÉE
13. POMPE DU FILTRE
14. TROUS DE LEVAGE LATÉRAUX
15. DÉBITMÈTRE
16. BOITIER DE CONTRÔLE PH (OPTIONNEL)
17. BOITIER DE CONTRÔLE OPH (OPTIONNEL)
18. INJECTEUR VENTURI
19. BOITIER DE CONTRÔLE
20. EMBLACEMENT INJECTION CHIMIQUE (OPTIONNEL)
21. TROUS DE LEVAGE FRONTAUX
22. PLOMBERIE D'ARRIVÉE
23. LIGNE DE RECIRCULATION
24. LIGNE DE RÉTROLAVAGE
25. FILTRE DE POLISSAGE
26. VANNE 7 VOIES
27. EMBLACEMENT SONDE PH ET ORP
28. GÉNÉRATEUR OZONE (OPTIONNEL)
29. MANOCONTACTEUR
30. INTERRUPTEUR POMPE DU FILTRE
31. INTERRUPTEUR POMPE DE TRANSFERT
32. INTERRUPTEUR PRINCIPAL
33. INTERRUPTEUR SYSTÈME AUXILIAIRE

INSTALLATION

Note: *Un habillement adapté est essentiel à votre sécurité. Il est recommandé d'utiliser tous les moyens nécessaires pour la protection des yeux, des oreilles et la peau.*

1. Un système de cuves de collecte doit déjà être en place avant d'installer le système de traitement et recyclage des eaux WTR-Séries. Un système de cuves bien conçu est critique au bon fonctionnement du système de recyclage et sa conception dépendra de l'utilisation prévue.

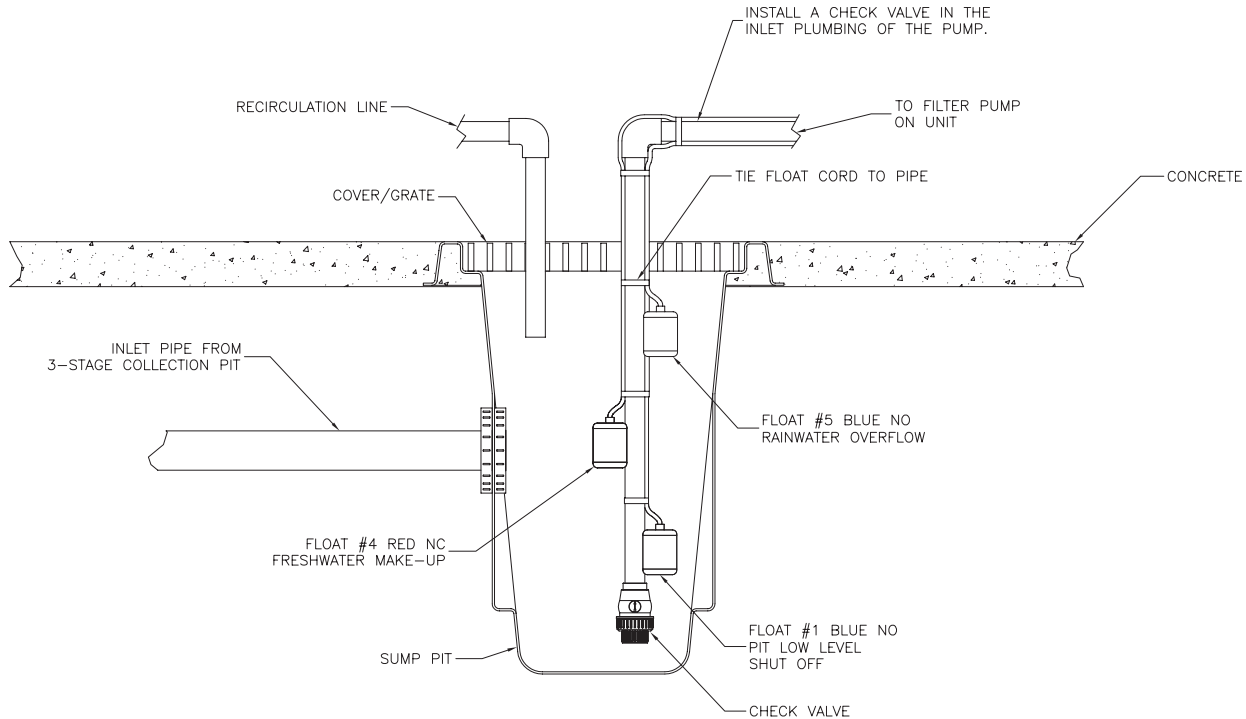
Application : (Si l'installation d'une cuve appropriée n'est pas possible, consulter l'usine ou le revendeur pour la mise en place d'un ensemble de réservoirs de décantation et rétention au-dessus du sol qui fonctionnera avec le système). Les règles ci-dessous devraient être suivies dans la plupart des circonstances. Chaque système de lavage ou de traitement d'eau étant différent, les directives ci-dessous peuvent être modifiées selon l'utilisation. Consulter le revendeur ou l'usine pour toutes questions.

- a. Lavage léger : jusqu'à 300 gallons par jour (GPD). Lavage d'équipements légers : voitures, chariots de golf, tondeuses à gazon, pièces, etc. Faible charge en saleté et graisses. Cuve 2x2 - 75 gallons. (300 litres).
 - b. Lavage léger / moyen: 300-600 GPD. Lavage voitures, chariots de golf, tondeuses à gazon, pièces, camions. Faible charge en saleté et graisses. Cuve 3x3 - 200 gallons. (800 litres).
 - c. Lavage moyen / intense : 600-1500 GPD : Lavage voitures, chariots de golf, tondeuses à gazon, pièces, camions, petit matériel de terrassement, tracteurs. Charge moyenne de saleté et de graisses. Cuve 3x9 - 600 gallons (2400 litres). Les cuves 3x9 peuvent être cloisonnées selon plusieurs designs, que l'on sélectionnera selon l'application.
 - d. Lavage lourd : 1500GPD+ : lavage voitures, chariots de golf, tondeuses à gazon, pièces, camions, petit et grand matériel de terrassement, tracteurs, bulldozers, chargeuses-pelleteuses, etc. Utiliser une combinaison des cuves capable de contenir environ la moitié de l'eau utilisée par jour et conçue pour retenir la plupart des solides et graisses avant le système de traitement. Pour des utilisations à haut contenu en boues, par ex matériel avec chenilles, de grandes cuves en béton sous la zone de lavage sont recommandées pour retenir puis évacuer la boue qui s'accumule au fil du temps. Combiner avec des cuves de coagulation-floculation et décantation pour éliminer un maximum de boues avant que l'eau atteigne le WTR-10.
2. Placer la plate-forme de système de traitement et de recyclage des eaux sur une surface dure et de niveau dans un secteur exempt de vapeurs inflammables, de poussières, des gaz et autres matériaux combustibles. L'unité doit être placée au maximum 15 pieds (4m50) plus haut et à 50 pieds (15 m) de distance horizontale de l'endroit où la pompe du filtre aspirera.
 3. Placer l'unité pour qu'elle soit accessible des quatre côtés.
 4. Ne placer pas l'unité dans une zone :
 - a. avec une ventilation insuffisante.
 - b. où des risques environnementaux (c.-à-d. pluie et neige) peuvent entrer en contact avec le système de traitement et de recyclage de l'eau.
 - c. où l'unité peut geler.
 5. Le système de traitement et recyclage des eaux est expédié avec certains raccordements et connexions desserrés pour protéger l'unité contre des dommages d'expédition. Resserrer tous ces raccordements à l'installation.
 6. Utiliser des raccords PVC à la norme 80 US (ou équivalent renforcé).
 - a. Installer la tuyauterie du puisard vers **l'entrée de la Pompe du Filtre** en utilisant des raccordements de 2" (5 cm) minimum.
 - b. Installer un clapet anti-retour dans le **puisard**.
 - c. Installer la tuyauterie de la Ligne de Recirculation à la Cuve de Collecte d'Eau de Lavage en utilisant une taille minimum de tuyau de 2" (5 cm).

INSTALLATION

7. Installer les trois flotteurs dans le **puisard**. Accrocher la corde de maintien de chaque flotteur en laissant 2" (5 cm) de corde libre pour garder assez d'espace permettant au flotteur de bouger librement sans interférer avec la plomberie.
 - a. Flotteur #1 Bleu : Arrêt niveau bas de la cuve. Attachez ce flotteur 10" (25 cm) au-dessus de l'arrivée.
 - b. Flotteur #4 Rouge : Complément d'eau douce. La hauteur de ce flotteur doit être ajustée pour le système de cuve spécifique.
 - c. Flotteur #5 Bleu : Excédent eau de pluie. La hauteur de ce flotteur doit être ajustée pour le système de cuve spécifique.

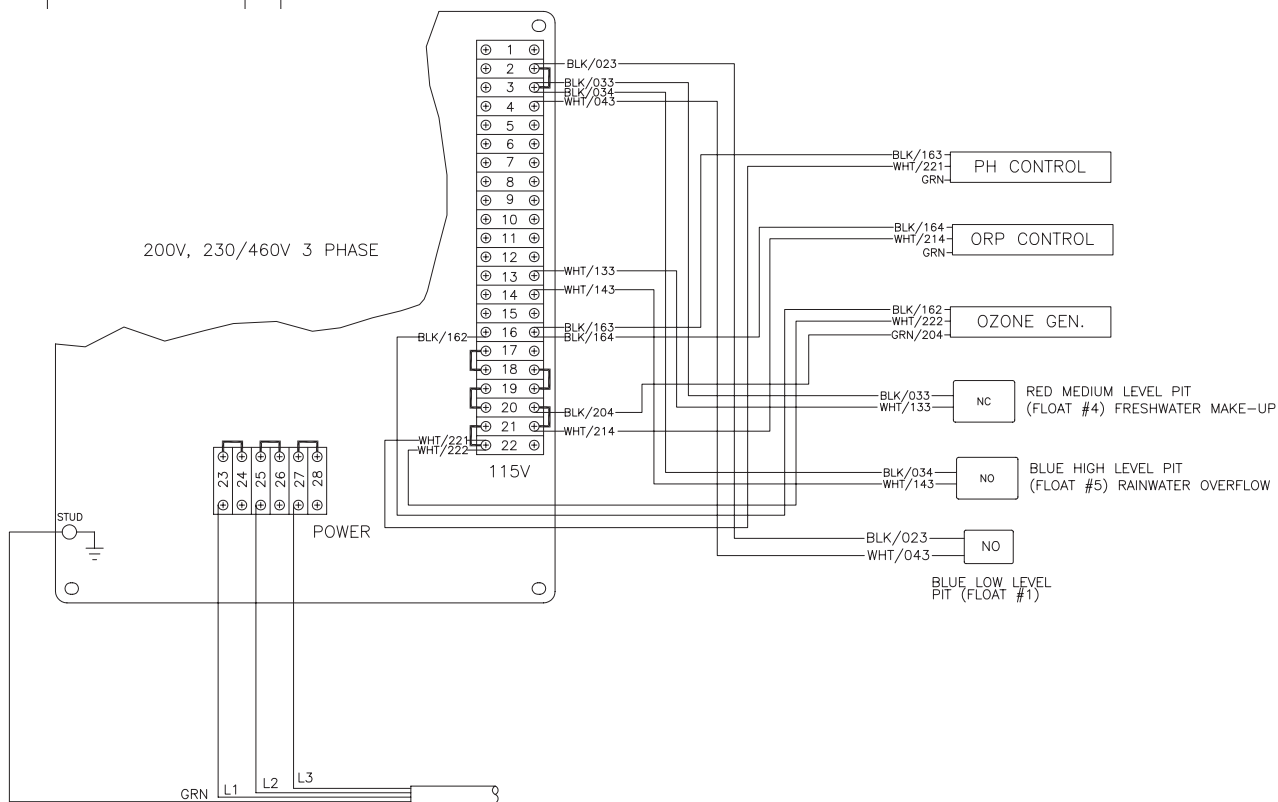
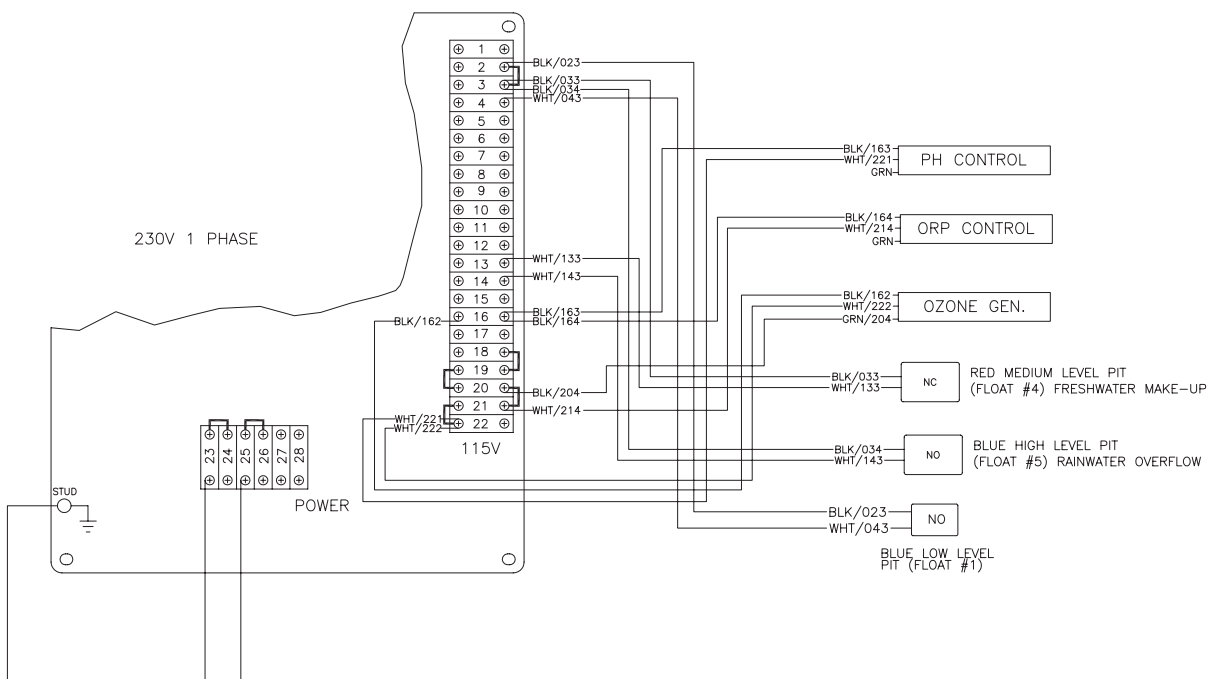
NOTE: L'information ci-dessus est pour référence seulement. Les installateurs ou architectes professionnels peuvent utiliser ces directives pour les adapter aux exigences spécifiques du site d'installation.



AVERTISSEMENT: RISQUE D'ÉLECTROCUTION! POUR RÉDUIRE LE RISQUE D'ÉLECTROCUTION, MAINTENIR TOUS LES RACCORDS ÉLECTRIQUES AU SEC ET AU-DESSUS DU SOL.

INSTALLATION

8. Le système électrique doit être installé uniquement par un électricien qualifié.
 - a. Vérifier que le courant est coupé à la source d'alimentation.
 - b. S'assurer que tous les commutateurs sur le **panneau de commande** sont en position "OFF".
 - c. Tirer une gaine ou câble électrique étanche des flotteurs du **puisard** jusqu'au **Panneau de Commande**.
 - d. Tirer une gaine électrique étanche du disjoncteur local jusqu'au **Panneau de commande**.
 - e. L'électricien devra percer des trous dans le **Panneau de Commande** pour la gaine et/ou les câbles.
 - f. Connecter les brins électriques au bornier comme montré sur les schémas suivants pour installation monophasée ou triphasée.



FIELD WIRING DIAGRAM WTR-10-0M10 040116

NOTE: Si l'unité a été commandée avec les options ORP/pH ou Ozone, leur câblage sera pré installé à l'usine. Si ces options sont ajoutées à une date ultérieure, se référer aux diagrammes ci-dessous pour les câbler correctement.

9. Effectuer les raccords suivants de canalisations :

- a. D'une source d'eau sous pression au **Complément Eau Douce**.
- b. De la **sortie d'eau** vers le **nettoyeur sous pression**.
- c. De la sortie **Excédent Eau de Pluie** vers une cuve de stockage, pour traitement ultérieur ou évacuation. **NE RENVOYER PAS CETTE EAU à la cuve de COLLECTE D'EAU DE LAVAGE!**

NOTE: Dans la plupart des cas, vous devez avoir une autorisation pour évacuer légalement l'eau excédentaire.

10. Installation de PH/ORP/Ozone sur site.

1. Si l'unité est commandée de l'usine avec ces options, le pH, l'ORP, et l'ozone auront été installés et câblés dans l'unité qui est maintenant prête à la préparation. Sinon suivre les directives ci-dessous pour installer ces options sur site.

2. pH et ORP:

- a. Enlever le bouchon du côté d'arrivée de la pompe du filtre. Installer le passe-fils en aluminium de ½ pouce qui vient avec ces options.
- b. Installer le bouchon en silicone dans le passe-fils pour sceller la ligne jusqu'à ce qu'elle soit prête pour l'installation de la sonde. Suivre les instructions d'installation de la sonde détaillées dans la section de préparation du manuel.
- c. Monter la boîte de contrôle dans les trous prévus sur le support du panneau de commande.
- d. Câbler le cordon de secteur à l'intérieur de la boîte de contrôle principale selon le diagramme de câblage ci-dessous.
- e. Enlever le bouchon du côté de la sortie de la pompe du filtre, juste après l'injecteur Mazzei. Le remplacer par un adaptateur pour tuyau 1/2 pouce.
- f. Tirer le tuyau chimique fourni depuis la sortie de la pompe chimique pour le raccorder à l'adaptateur de tuyau.
- g. Déposer l'autre extrémité du tuyau et la crépine, dans le seau chimique qui sera utilisé pour ajuster le pH ou l'ORP.
- h. Suivre les instructions de calibrage et point de consigne décrits dans la partie Préparation du manuel.

3. Ozone:

- a. Accrocher le générateur d'ozone derrière le support de panneau de commande en utilisant les supports inclus avec l'ensemble.
- b. Relier le tuyau bleu fourni du clapet à bille mazzei à la collerette de sortie au bas du générateur.
- c. Raccorder le câble électrique au bornier de la boîte de contrôle principale selon le diagramme de raccordement.
- d. Suivre les instructions de la partie opération de ce manuel et du manuel fourni avec le générateur d'ozone.

STOP

POUR ASSURER QUE VOTRE SYSTEME DE TRAITEMENT ET DE RECYCLAGE D'EAUX FONCTIONNE EN TOUTE SECURITE ET DE FACON EFFICACE, COMPLETER LA LISTE DE CONTROLE PRE-OPERATION AVANT LA MISE EN MARCHE.

LISTE DE CONTRÔLE

Avant la mise en marche de l'appareil, répondre à toutes les questions de la liste de contrôle ci-dessous en marche de l'appareil, répondre à toutes les questions de la liste de contrôle ci-dessous.		OUI	NON
CODES:			
1.	Est-ce que le câblage électrique est conforme aux codes en vigueur?		
2.	Est-ce que la plomberie est conforme aux codes en vigueur?		
EMPLACEMENT:			
1.	Est-ce que l'appareil est installé sur une surface dure et plane libre de vapeurs inflammables, de poussières, des gaz et autres matériaux combustibles ?		
2.	Est-ce que l'appareil est installé dans une grande zone bien ventilée?		
ELECTRIQUE:			
1.	L'appareil est-il correctement mis à la terre?		
2.	Est-ce que l'alimentation électrique, la tension et l'intensité de courant correspondent à la plaque signalétique?		
PLOMBERIE:			
1.	Est-ce que la plomberie est de la taille correcte?		
2.	Est-ce que le clapet de non-retour est installé avant la pompe de vidange ?		
3.	Est-ce que tous les raccords plomberie sont sécurisés?		
4.	Est-ce que tous les raccords tuyaux sont sécurisés?		
INSTRUCTIONS GÉNÉRALES:			
1.	Est-ce que tous les utilisateurs de cet appareil ont-ils lu et compris le manuel entier?		
2.	Est-ce que l'appareil a été installé par un personnel qualifié conformément aux instructions décrites dans ce manuel?		
NOTE: SI LA RÉPONSE À UNE QUELCONQUE DE CES QUESTIONS EST "NON", REMÉDIER À LA SITUATION AVANT DE METTRE L'APPAREIL EN MARCHÉ.			

PREPARATION

AVANT LA MISE EN MARCHÉ:

1. Placer les vannes du système de traitement et de recyclage des eaux WTR en "Start-up Mode" (Mode Démarrage).
-Vanne de contrôle du débit d'arrivée d'eau: Tourner la vanne jusqu'à qu'elle soit à une rotation d'être complètement fermée.
 2. S'assurer que tous les tuyaux sont raccordés solidement.
 3. S'assurer que le tube d'air qui arrive au **générateur d'ozone** n'est pas bouché.
 4. S'assurer que tous les interrupteurs du **Tableau de Commande** sont en position "OFF".
 5. Allumer l'alimentation électrique. Le **Voyant d'Alimentation** devrait briller.
-

DEMARRAGE:

1. Vérifier que l'alimentation en eau vers le **Complément d'eau douce** est ouverte et que la cuve est remplie d'eau. Si la cuve n'est pas pleine, l'eau va remplir le **Réservoir Produit** et déborder à travers le **drain trop-plein** avant de retourner au **puisard**.
2. Pour amorcer la **Pompe du Filtre**, retirer le couvercle au-dessus de la **Crapaudine** et remplir la **Crapaudine** et la tuyauterie du **puisard** jusqu'à la **Pompe du Filtre** avec de l'eau puis remettre le couvercle.
3. Mettre l'interrupteur de la Pompe du Filtre en position de marche et l'eau commencera à couler dans le système pendant que l'air est purgé des canalisations.
4. L'eau commencera par passer à travers le mazzei en tirant de l'air et en repartant dans le système de cuves.
5. Augmenter le débit en réglant la vanne de contrôle d'arrivée d'eau à 10-20 GPM en utilisant le débitmètre et en lisant sur la partie supérieure du flotteur.
6. Purger l'air des filtres à cartouche en ouvrant la soupape de décharge sur le dessus du filtre jusqu'à ce que l'eau commence à sortir du filtre.
7. L'eau commencera à remplir le Filtre de Polissage et le Réservoir Produit. Alors que le Réservoir Produit se remplit, l'eau atteindra éventuellement l'orifice de Trop-Plein du Réservoir et commencera la recirculation jusqu'au système de cuves. Il faudra abaisser le débit d'eau d'entrée si l'eau dans le réservoir produit continue de monter et atteint le flotteur d'arrêt de la pompe du filtre.
8. Quand l'eau dans le Réservoir Produit a atteint l'orifice de Trop-Plein, ouvrir la vanne de sortie du Nettoyeur sous Pression jusqu'à ce que l'eau sorte afin d'amorcer la Pompe de Transfert.
9. Mettre l'interrupteur de la pompe de Transfert en position de marche et permettre au Réservoir Produit de se remplir. Le Pompe de Transfert marchera jusqu'à ce que la pression dans les canalisations atteigne 50 PSI. Le système est prêt à alimenter un nettoyeur sous pression ou un tuyau de jardin avec de l'eau recyclée.

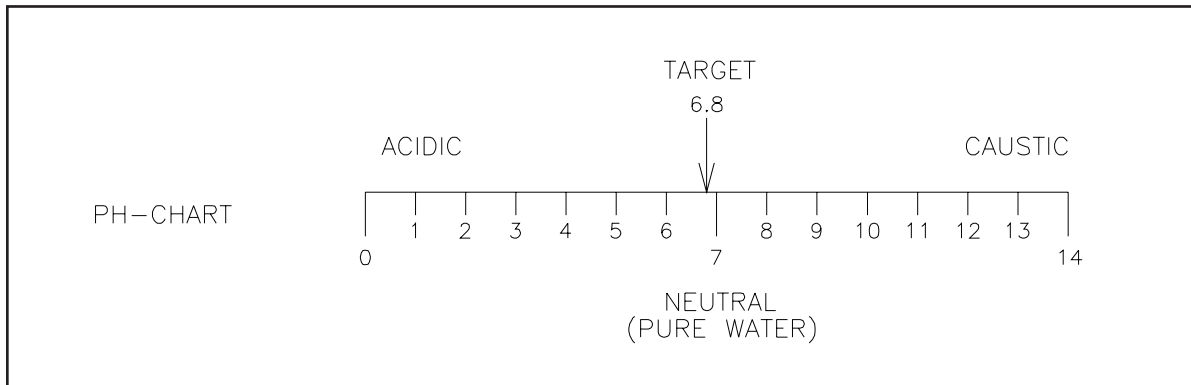
PREPARATION

SYSTÈME DE CONTRÔLE pH ET ORP (SI INCLUS):

Des niveaux appropriés de pH et ORP doivent être maintenus dans le système de cuves pour empêcher la croissance des bactéries, des algues, des odeurs etc... L'eau doit être chimiquement équilibrée pour recycler efficacement.

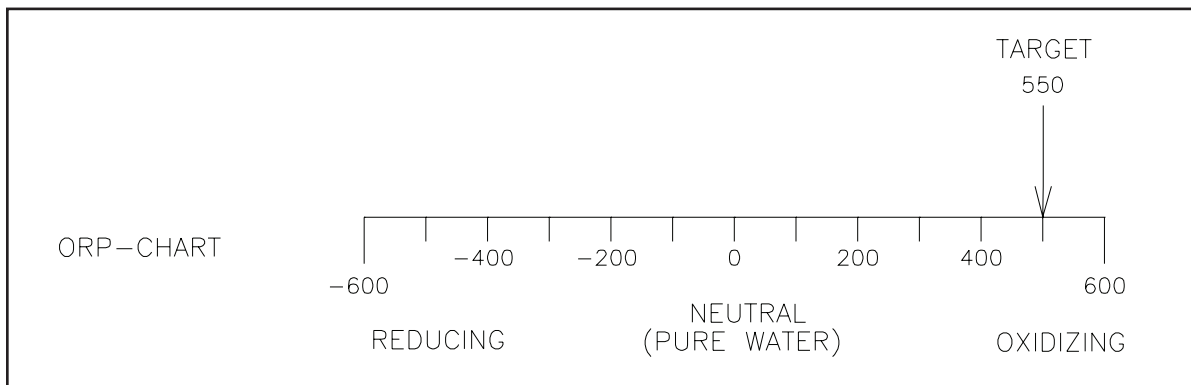
En circulant dans le système, l'eau passe au contact des **sondes pH et ORP** qui analysent les niveaux de **pH et ORP** dans l'eau.

- a. **Sonde pH.** Cette sonde analyse le pH (acidité et alcalinité) dans l'eau. Si l'eau est trop acide (pH bas) l'acide décomposera le fer présent dans l'eau en une forme liquide, générant une eau couleur rouille dans le système. Si l'eau est trop basique (d'un pH élevé) le potentiel tueur de bactéries de l'agent d'ORP sera radicalement diminué.



WLP-0008-112098-JJ

- b. **Sonde ORP.** Cette sonde analyse le potentiel d'oxydoréduction (ORP) et donne une mesure de la quantité d'agent tueurs de bactéries dans l'eau.



WLP-0009-112098-JJ

Les sondes analysent les niveaux de **pH et ORP** de l'eau et affichent les résultats sur les afficheurs numériques respectifs.

PREPARATION

INSTALLATION DES SONDES PH ET ORP:

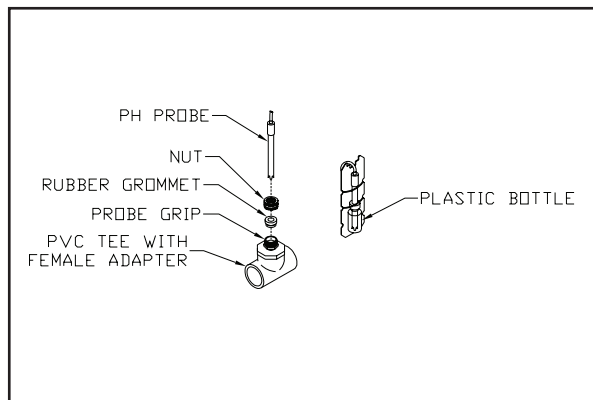
⚠ ATTENTION: RISQUE DE DOMMAGES AUX SONDES!

NE PAS PERMETTRE AUX SONDES D'ÊTRE EXPOSÉES À L'AIR. OUVRIR L'EAU IMMÉDIATEMENT UNE FOIS QUE LES SONDES SONT EN PLACE.

MANIPULER LES SONDES AVEC PRÉCAUTION CAR ELLES SONT FAITES DE VERRE.

NE PAS PERMETTRE AUX SONDES D'ÊTRE EXPOSÉES À UN ENVIRONNEMENT SUJET AU GEL. GARDER LES RÉCIPIENTS D'ORIGINE DANS LESQUELS LES SONDES ONT ÉTÉ EXPÉDIÉES. ILS SERONT NÉCESSAIRES POUR L'ENTREPOSAGE DES SONDES LORS DE LA PRÉPARATION POUR L'HIVER.

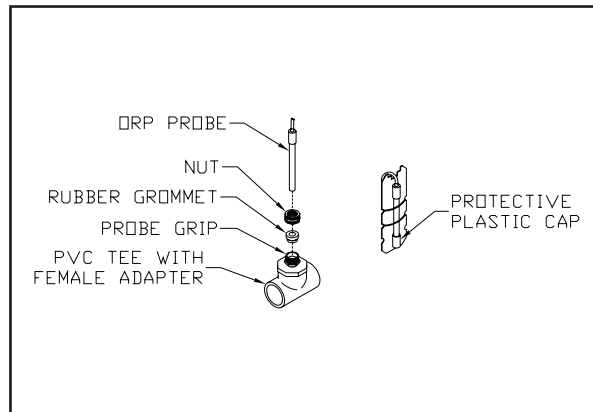
Sonde pH



WLP-0006-110298-JJ

1. Mettre l'interrupteur de la Pompe du Filtre à l'arrêt et s'assurer qu'il n'y a aucune évacuation d'eau.
2. Trouver les prises de sondes et dévisser l'écrou d'une des prises.
3. Retirer une des sondes (pH ou ORP) de son récipient d'origine. (Bien conserver le récipient pour l'entreposage des sondes lors de la préparation pour l'hiver.)
4. Faire glisser avec précaution l'écrou de la prise de sonde par-dessus la sonde en verre.
5. Pousser la sonde sans forcer d'environ 2 pouces (5 cm) à travers la prise de sonde et serrer l'écrou sur la prise de sonde.
6. Répéter ces étapes pour la sonde restante.
7. Mettre les interrupteurs de la Pompe du Filtre et des pH et ORP-mètres en position de marche.

Sonde ORP



WLP-0007-112098-JJ

IL NE FAUT PAS PERMETTRE AUX SONDES DE SE DESSECHER.

PREPARATION

RÉGLAGE DU PH METRE ET ORP-METRE:

Note : Pour de nouvelles unités, le pH et ORP-mètre ont été déjà réglés et calibrés. La pompe du filtre et l'interrupteur auxiliaire doivent rester allumés durant le processus.

OPÉRATION:

OPÉRATION DE CLAVIER NUMÉRIQUE

1. Touche "SEL": change l'affichage supérieur au premier menu de programmation, avance l'affichage dans le menu et place l'information programmée dans la mémoire.
2. " " touche flèche haut: augmente la valeur affichée dans l'affichage (inférieur) vert.
3. "∇" touche flèche bas: diminue la valeur affichée dans l'affichage (inférieur) vert.
4. Appuyer sur touche "SEL" environ 3 secondes et "HYS" apparaîtra dans l'affichage supérieur. Appuyer sur touche "SEL" environ 6 secondes et P-n1 apparaîtra.

PROGRAMMATION

1. Comment changer le point de consigne :

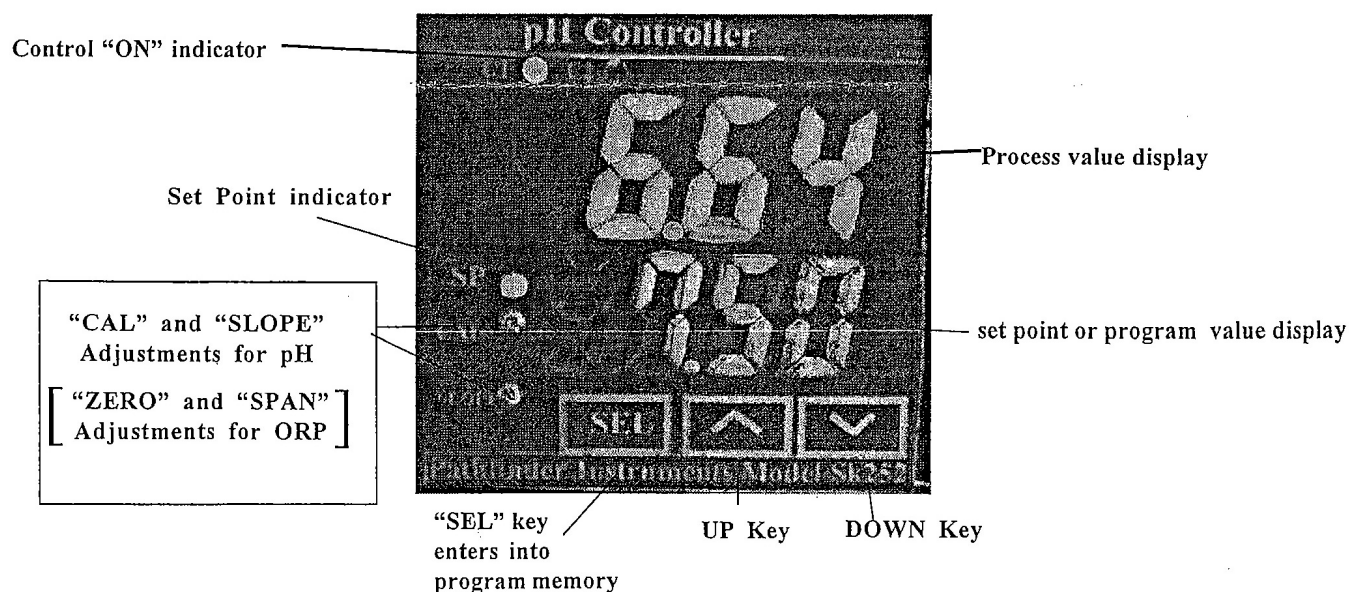
Presser et tenir «flèche haut» ou «flèche bas» " " jusqu'à ce que le nombre correct apparaisse, puis relâcher, le nouveau point de consigne sera activé 5 secondes après.

2. Comment changer l'action de contrôle (le relais s'activera au-dessus ou au-dessous du point de consigne):

Tenir la touche de "SEL" pendant approximativement 6 secondes et "P-n1" apparaîtra dans l'affichage supérieur, le code de contrôle apparaîtra dans l'affichage inférieur, "0" ou "1" activera au-dessous du point de consigne, "2" ou "3" activera au-dessus du point de consigne. Appuyez sur "SEL" une fois et la valeur clignotera, presser sur les touches «flèche vers le haut» ou «flèche vers le bas» pour changer à la valeur désirée, puis presser sur "SEL" à nouveau pour placer la valeur en mémoire. Tenir la touche "SEL" pendant approximativement 2 secondes ramènera au fonctionnement normal.

3. Comment programmer l'hystérésis:

Appuyer sur "SEL" pendant approximativement 3 secondes et "HYS" apparaîtra dans l'affichage supérieur, la valeur d'hystérésis apparaîtra dans l'affichage inférieur. Appuyer une fois sur "SEL" et la valeur clignotera, presser sur les touches «vers le haut» ou «vers le bas» pour changer à la valeur désirée, presser "SEL" à nouveau pour le placer dans la mémoire. Tenir la touche de "SEL" pendant approximativement 2 secondes ramènera au fonctionnement normal.



Front Panel

PREPARATION

RÉGLAGE DU PH METRE ET ORP-METRE:

CALIBRAGE:

COMMENT CALIBRER LE pH-MÈTRE:

Sur le panneau avant sont affichés deux ajustements possibles: "CAL" et "SLOPE". Toujours ajuster le CAL en premier.

1. Toujours s'assurer que la sonde de pH est reliée au pH-mètre.
2. Placer la sonde dans une solution tampon #7. Ajuster la lecture de "CAL" à un pH de 7,00.

Note: Les solutions tampon ont une durée de conservation limitée. S'assurer que le tampon est actif. Il est possible d'utiliser la pièce référence #RC-1003-0001, qui est un calibre électronique, à la place de la solution tampon.

3. Enlever et rincer la sonde dans l'eau du robinet.
4. Placer la sonde dans une solution tampon #4 ou #10, selon l'utilisation de l'instrument (acide ou base). Ajuster "SLOPE" à une lecture de pH 4,0 ou 10,0.
5. Calibrage complet.

COMMENT CALIBRER L'ORP (POTENTIEL D'OXYDORÉDUCTION):

Sur le panneau avant sont affichés deux ajustements possibles: "ZERO" et "SPAN", le contrôleur d'ORP peut être calibré avec une source millivolt à la place de la sonde.

Court-circuiter le connecteur d'entrée et ajuster l'ajustement ZERO à un affichage de 0000. Appliquer +500 millivolt à partir d'une source millivolt précise et ajuster l'ajustement SPAN à un affichage de 0500.

Pour vérifier l'exactitude de la sonde d'ORP et du calibrage d'ORP, un kit est fourni par le fabricant. Il se compose d'assez de matériaux pour faire 30 essais. Il contient des réactifs, des béciers d'agitateurs et des instructions.

REGLAGE FINAL DU SYSTEME PH ET ORP:

1. Placer les tuyaux des **pompes de pH et ORP** dans les **produits chimiques d'ajustement**.
 - a. Le produit chimique recommandé de pH pour ce système est le sulfate d'aluminium.
 - b. Le produit chimique recommandé d'ORP pour ce système est l'eau de Javel.
2. Mettre en marche les **interrupteurs des pompes de pH et d'ORP**. Des produits chimiques seront insérés dans l'eau selon les besoins.

FONCTIONNEMENT

1. Le système de traitement et de recyclage des eaux est maintenant prêt à fonctionner.
2. S'assurer que les interrupteurs sur le **Tableau de Commande** sont aux positions suivantes:

Interrupteur du Débitmètre

ON

Pompe du Filtre

ON

Pompe de Transfert

ON

Systèmes Auxiliaires

ON

3. Alors que le pompe du filtre tourne, utiliser la Vanne de contrôle du débit d'arrivée d'eau pour assurer que le flux d'eau est à un niveau qui ne déborde pas du réservoir produit autour de 10-20 GPM.
4. Bien surveiller le système les premiers jours afin d'assurer un bon fonctionnement.

ENTRETIEN

FILTRES:

Filtres à Cartouche: Inspecter et nettoyer au besoin tous les deux mois ou quand les filtres deviennent encrassés. Lorsque le manomètre sur le filtre a une lecture de 30 PSI ou plus de 30 PSI, il sera temps de nettoyer ou remplacer le filtre. (Des nouvelles cartouches peuvent être commandées à travers votre distributeur local. L'élément de 30 micron a un numéro de pièce 19-0274 alors que l'élément de 5 micron a un numéro de pièce 19-0282)

1. Retirer le Filtre: Arrêter la pompe du filtre. Dévisser la bague de blocage sur le dessus du filtre. Utiliser un tournevis si nécessaire et les poignées pour enlever le couvercle du filtre de l'unité. Retirer le filtre
2. Utiliser un tuyau de jardin pour nettoyer les débris accumulés sur le filtre et laisser l'eau repartir dans le système de cuves.
3. Lorsque le filtre semble bien propre, replacer le dans le corps de l'unité. L'intérieur du filtre devra glisser dans le fond de la protubérance du corps du filtre afin de se sceller correctement. S'assurer que le joint torique est libre de tout débris. Replacer le couvercle et la bague de blocage et bien serrer.
4. Redémarrer la pompe du filtre. Le manomètre doit être de retour à la normale (en dessous de 20 PSI). Il faudra remplacer le filtre si le manomètre est toujours trop élevé. Purger l'air du filtre en desserrant la soupape de décharge jusqu'à ce que de l'eau sorte chaque fois que les filtres redémarrent.

NOTE: La contre-pression créée par le filtre de polissage peut aussi être la cause d'une lecture de pression haute dans les filtres à cartouches. S'assurer que le filtre de polissage est bien entretenu et montre un affichage en dessous de 20 PSI avant de remplacer un filtre à cartouche dû à une lecture de pression haute.

Filtre de Polissage: Le filtre de polissage contient comme média du charbon actif qui devra être subir un rétrolavage une ou deux fois par semaine. En plus, un rétrolavage du filtre de polissage doit être effectué chaque fois que le manomètre affiche 30 PSI ou plus.

RETROLAVAGE DU FILTRE DE POLISSAGE:

1. Tourner le débitmètre d'arrivée à une position sous 10 GPM en laissant marcher la pompe du filtre.
2. Placer l'interrupteur de la pompe du filtre en position d'arrêt.
3. Tourner la vanne 7-voies en haut du filtre à la position rétrolavage.
4. Mettre l'interrupteur de la pompe du filtre en position de marche. De l'eau devrait s'échapper de l'orifice de rétrolavage du filtre de polissage.
5. Ajuster le débit comme nécessaire pour éviter au maximum de perdre trop de charbon actif au passage de l'eau. Il est normal de perdre quelques petits morceaux mais perdre en grande quantité aura comme résultat un épuisement du média avec le temps.
6. Après environ 3 à 5 minutes ou quand la qualité de l'eau s'améliore visiblement (identique à l'eau qui entre), placer l'interrupteur de la pompe du filtre en position d'arrêt.
7. Remettre la vanne 7-voies en haut du filtre à sa position de fonctionnement normale.
8. Remettre l'interrupteur de la pompe du filtre en position de marche et ajuster la vanne de contrôle de débit d'arrivée à 10-20 GPM.
9. Vérifier que le manomètre sur le filtre de polissage affiche maintenant une pression plus basse.

RETIRER ET RECHARGER LE MEDIA DU FILTRE DE POLISSAGE:

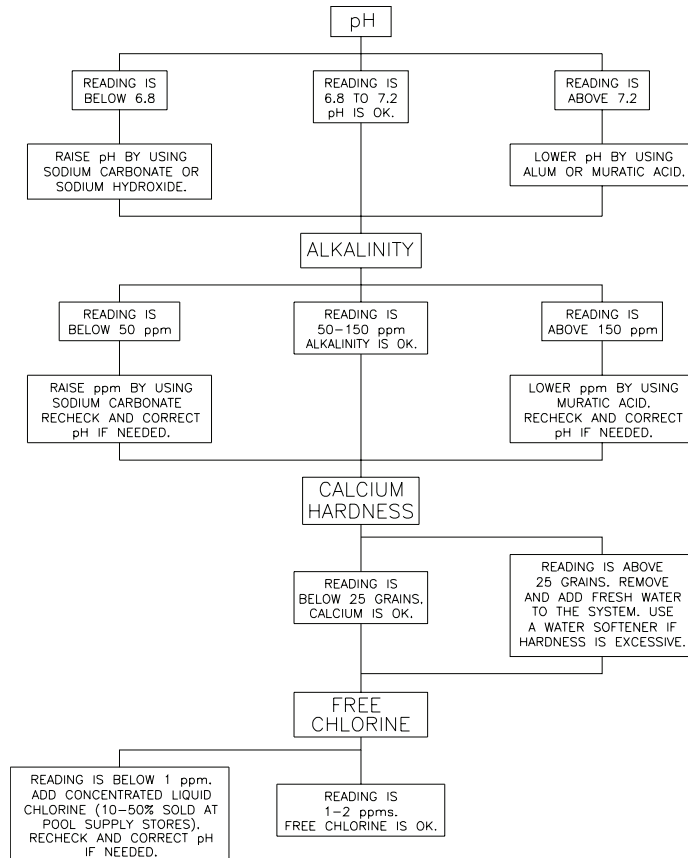
1. Du charbon actif neuf peut être commandé chez votre distributeur local sous le numéro de pièce 33-0302. Le filtre exige 110 livres (50 kg) de charbon.
2. Un habillement adapté tels que lunettes de protection, gants, combinaison, masque anti poussières, etc. est essentiel pour la protection des yeux et la peau.
3. Placer **l'interrupteur de la pompe du filtre** en position d'arrêt.
4. Retirer la partie supérieure du réservoir du filtre désiré et vidanger l'eau.
5. Utiliser un aspirateur pour retirer le média du filtre.
6. S'assurer que l'assemblage latéral reste centré et aligné au fond du réservoir et que les couches sont planes lorsque vous versez le média dans le réservoir du filtre.
7. Remonter la partie de dispersion du réservoir du filtre et remettre son couvercle.
8. Mettre l'interrupteur de la pompe du filtre en position de marche. Ne pas faire de rétrolavage du Filtre de Polissage avant que l'unité fonctionne pendant 24 heures.
9. Se débarrasser du média usagé selon les normes de l'EPA.

ENTRETIEN

TEST D'EAU:

La composition chimique de l'eau doit être testée toutes les semaines. Tester l'eau dans le **puisard** avec une bandelette réactive lorsque la **Pompe du Filtre** marche. (Suivre les instructions données avec les bandelettes réactives.) Utiliser le tableau de flux ci-dessous pour vérifier et corriger les problèmes suivants:

1. pH: Acidité et alcalinité dans l'eau. Un pH bas est la cause d'une eau couleur rouille.
2. Alcalinité: Sels dissolubles dans l'eau. Trop d'alcalin est la cause d'une eau trouble et diminue la vie du filtre.
3. Dureté de calcium: Calcium dans l'eau. Trop de calcium crée une accumulation de tartre dans les serpentins des nettoyeurs sous pression.
4. *Chlore Libre: Le chlore qui n'est pas combiné avec de la saleté, des huiles, etc. contrôle la croissance des odeurs, bactéries et des algues.



WLP-0015-112398-JJ

PRÉPARATION POUR L'HIVER:

Le Système de Traitement et de Recyclage des Eaux peut être protégé contre le gel en le vidant complètement d'eau si l'appareil doit être entreposé dans un endroit où la température peut tomber sous 32°F/0°C.

1. Mettre tous les interrupteurs du **Tableau de Commande** à la position OFF (arrêt) et couper tout courant allant au **Tableau de Commande**.
2. Ouvrir le clapet de non-retour vers le **puisard** et purger la canalisation de transport d'eau. Purger la **Pompe du Filtre**.
3. Ouvrir le clapet de non-retour au niveau de l'arrivée et purger la canalisation d'arrivée.
4. Retirer le bouchon de vidange du **Filtre de Polissage** et desserrer le couvercle de chaque filtre. Casser le raccord union de chaque côté.
5. Desserrer le raccord union et le couvercle sur le **filtre à cartouches** pour pouvoir les purger.
6. Retirer le bouchon de vidange de la **Pompe du Filtre**.
7. Retirer le bouchon de vidange de la **Pompe de Transfert**.
8. Ouvrir les **Vannes de Sortie** et les raccords union à côté du réservoir de pression et laisser purger.
9. Retirer les **Sondes pH et ORP** et placer les dans leurs récipients d'origine remplis d'eau déionisée. Entreposer à température ambiante.
10. Entreposer tous les produits chimiques à température ambiante.

DEPANNAGE

SYMPTOME	CAUSE PROBABLE	SOLUTION
POMPE DU FILTRE		
La pompe du filtre ne fonctionne pas.	Les flotteurs ne sont pas réglés correctement dans le puisard .	Régler.
	Pas assez d'eau dans le puisard .	Ajouter de l'eau au puisard .
	Le flotteur 1 est défectueux.	Remplacer.
	Le flotteur Haut de la Pompe de Vidange s'est renversé.	Ralentir le débit avec la vanne de Contrôle de débit d'arrivée . Retirer les bouchons avec la ligne de recirculation d'eau .
	Surcharge de circuit/Déclenchement du disjoncteur.	Réarmer le disjoncteur ou remplacer le fusible au bloc d'alimentation.
	Motor overload.	Permettre au moteur de refroidir. Le moteur redémarre automatiquement lorsqu'il a refroidi.
Pompe du Filtre Le moteur démarre et s'arrête fréquemment.	Le moteur est défectueux.	Remplacer la pompe.
	Ceci se produit régulièrement lors du démarrage initial lorsque les cuves se remplissent.	Permettre aux cuves de se remplir.
	Débit d'eau excessif allant à l'unité de traitement d'eau.	Tourner la vanne dans le sens des aiguilles d'une montre pour réduire le débit.
	L'impulseur de la Pompe du Filtre est bloqué.	Débrancher de la source d'alimentation et débloquer l'impulseur.
	Surcharge du moteur.	Permettre au moteur de refroidir. Le moteur redémarre automatiquement lorsqu'il a refroidi.
	Le puisard n'est pas assez grand.	Elargir la taille du puisard.
La Pompe du Filtre marche mais il y a peu ou aucune évacuation d'eau.	Le panier de protection pour crépine dans la Pompe du Filtre est bouché.	Nettoyer, réparer ou remplacer.
	Le niveau d'eau est sous l'orifice d'arrivée pour la pompe.	S'assurer que le Flotteur 1 n'est pas coincé dans la plomberie.
	Il y a une poche d'air dans la Pompe du Filtre .	Remplir le tuyau d'arrivée manuellement avec de l'eau.
	Tension Basse.	S'assurer que la dimension du câble est la bonne pour l'intensité de courant de l'appareil. Si la dimension du câble est correcte, contacter votre concessionnaire.
La pompe du filtre ne s'arrête pas.	Impulseur bouché ou pièces de pompe usées.	Contactez votre concessionnaire.
	Interrupteur défectueux à l'intérieur du Flotteur 1.	Remplacer.
	La pompe a une poche d'air.	Faire tourner la pompe de manière répétée pour des périodes d'une minute pour évacuer l'air de la pompe.
ELECTRIQUE		
Pas de courant au Tableau de Commandel .	Panne de courant au Tableau de Commande .	Vérifier le disjoncteur au niveau de la source de courant ou contacter votre distributeur local.
Voyant d'alimentation est éteint.	Fusibles sautés à l'intérieur du Tableau de Commande .	Vérifier les fusibles et remplacer si nécessaire. Si les fusibles sont en bon état, contacter votre distributeur.

DEPANNAGE

SYMPTOME	CAUSE PROBABLE	SOLUTION
JOINTS D'ARBRE		
L'eau fuit au niveau des pompes.	Joint d'arbre stationnaire endommagé.	Joint desséché. S'assurer que le boîtier d'étanchéité est rempli de liquide.
Vie de joint courte.	Utilisation sous températures imprévues et utilisation de produits chimiques imprévus.	Remplacer avec un joint très résistant.
POMPE DE TRANSFERT		
La Pompe de Transfert marche mais il y a un débit d'eau faible.	De l'eau est utilisée autre part.	Réduire le débit à d'autres sources ou contacter votre distributeur local.
	Le Flotteur Bas Niveau de la pompe de Transfert ne fonctionne pas	Vérifier On/Off avec le voltmètre. Réparer ou remplacer.
	La plomberie est bouché ou de taille insuffisante.	Retirer le bouchon ou utiliser une plomberie de taille plus grande.
La Pompe de Transfert tourne excessivement	Les vannes solénoïde sont ouvertes ou coincées en position ouvertes.	Fix Solenoid valve(s) or reduce flow.
	La pompe aspire de l'air.	Éliminer les fuites et serrer tous les raccords sur la canalisation d'arrivée.
	Défaillance de la vessie dans le Réservoir de Pression .	Remplacer le Réservoir de Pression
	Défaillance de l'interrupteur de pression.	Régler la pression.
	Pression trop basse dans le réservoir de pression .	Augmenter la pression.
La Pompe de transfert ne s'arrête pas.	Attendre 10 minutes lorsqu'il n'y a pas d'évacuation d'eau.	Fonctionnement Normal.
	Canalisation de l'interrupteur de pression est bloquée.	Déconnecter la canalisation et retirer le bouchon. Remplacer.
	Les contacts de l'interrupteur de pression sont gelés.	Remplacer si nécessaire.
	Impulseur est bloqué.	Contactez votre distributeur local.
SOLÉNOÏDES		
La vanne Solénoïde ne s'allume pas.	La vanne Solénoïde ne s'allume pas.	Fermer l'alimentation en eau. Échanger les Solénoïdes entre les vannes. Ouvrir l'eau. Si le problème est corrigé, remplacer le Solénoïde défectueux.
	Pas de contact électrique au Solénoïde.	Contactez votre distributeur local.
La vanne Solénoïde fuit à l'arrêt.	Le Solénoïde est bloqué.	Fermer l'alimentation en eau, retirer et nettoyer le Solénoïde.
	Solénoïde défectueux.	Remplacer.
	Le joint torique du Solénoïde est désaligné ou endommagé.	Réaligner ou remplacer.
	Le siège du diaphragme est sale.	Nettoyer ou remplacer.
	Le diaphragme est endommagé.	Remplacer.

DEPANNAGE

SYMPTOME	CAUSE PROBABLE	SOLUTION
ODEUR		
Odeur forte dans le système d'eau	Pas assez de produits chimiques dans le système pour maintenir l'équilibre de l'eau.	Ajouter ou régler les options pH, ORP ou d'ozone.
PRODUITS CHIMIQUES		
Utilisation de produits chimiques excessive.	Les compteurs pH et ORP ne sont pas calibrés correctement ou les sondes sont défectueuses.	Recalibrer les compteurs ou changer les sondes.
Utilisation faible de produits chimiques (avec odeur possible.)	Les pompes de produits chimiques ne fonctionnent pas.	Remplacer le tuyau de produits chimiques à l'intérieur de la pompe. Recalibrer les compteurs pH et ORP.
DÉBIT D'EAU		
De l'air s'échappe de la sortie d'eau.	C'est un phénomène courant lorsque la pompe s'amorce.	Une fois la pompe amorcée, l'air arrête de s'échapper de la sortie d'eau.
	La Pompe de transfert aspire de l'air au niveau de l'orifice d'arrivée.	Éliminer les fuites ou serrer les raccords.
L'eau ne s'arrête pas.	Défaillance du Solénoïde.	Réparer ou remplacer.
Pas d'eau au réservoir produit.	La Pompe du Filtre est à l'arrêt.	Voir les instructions de dépannage pour la Pompe du Filtre.
	Les filtres sont bouchés	Nettoyer, remplacer ou rétrolaver les filtres.
Mètres pH/ORP		
La pompe pH ne fonctionne pas lorsque le voyant HAUT sur le compteur pH est allumé.	Le Mètre pH ou ORP n'est pas numérique.	Mettre le commutateur des mètres pH/ORP à la position d'arrêt (OFF) pendant 5 secondes puis replacer à la position de marche (ON).
	Arbre de pompe est coincé.	Tourner l'arbre de la pompe avec les doigts pour desserrer l'arbre
Les compteurs pH/ORP ne s'allument pas.	L'interrupteur auxiliaire est à la position d'arrêt (OFF).	Mettre à la position de marche (ON).
	La pompe du filtre est à l'arrêt.	Voir les instructions de dépannage pour la pompe du filtre .



DÉCLARATION DE GARANTIE

Le fabricant garantit que toutes les pièces (hormis les pièces indiquées ci-dessous) de votre nouveau Système de Traitement et de Recyclage des eaux WTR sont libres de défauts de matériaux et de fabrication pendant les périodes suivantes:

Pendant un (1) an à partir de la date d'achat initiale:

Le fabricant s'engage selon son choix à réparer ou remplacer toutes pièces défectueuses non sujettes à une usure normale pendant la période de garantie. Dans tous les cas, le remboursement sera limité au prix d'achat de la pièce en question.

EXCLUSIONS

1. The motor is covered under separate warranty by its respective manufacturer and is subject to the terms set forth therein.
2. Pièces d'usure normale:

Joints	Filtres	Joints d'étanchéité
Joints Toriques	Garnitures	Brosses
Média filtrant	Sondes	
3. Pièces endommagées consécutivement à:
 - une usure normale, une utilisation incorrecte, des modifications/altérations, un emploi abusif
 - un fonctionnement à des vitesses, pressions, températures autres que celles recommandées,
 - l'utilisation de liquides caustiques,
 - une corrosion de chlorure ou une détérioration de produits chimiques,
 - des fluctuations dans l'alimentation électrique ou l'approvisionnement en eau,
 - une utilisation de l'appareil dans un environnement abrasif, corrosif ou sujet au gel.
4. Pièces endommagées par le non suivi recommandé:
 - des procédures d'installation, de fonctionnement et d'entretien.
5. Cette garantie ne couvre pas le coût:
 - d'un entretien ou de réglages normaux,
 - de main d'oeuvre,
 - de transport au centre de service agréé,
 - de dommages de transport.
6. L'utilisation de pièces autres que d'authentiques pièces de rechange annulera la garantie. Les pièces, port payé, retournées à notre usine ou à un centre de réparation agréé seront inspectées et remplacées gratuitement si elles s'avèrent être défectueuses et couvertes par la garantie. Aucune garantie ne sera étendue au-delà des termes stipulés sur le présent document. Le fabricant n'est en aucun cas responsable des pertes d'utilisation de l'appareil, de temps ou de location, des désagréments occasionnés, des pertes commerciales ou des dommages indirects.

INTRODUCCIÓN	57
CONTENIDOS DEL SISTEMA DE TRATAMIENTO DE RECICLAJE DE AGUA SERIE-WTS	58
ESPECIFICACIONES.....	58
ADVERTENCIAS DE SEGURIDAD IMPORTANTES	59
DIAGRAMA DE FLUJO.....	62
WTR CARACTERÍSTICAS	64
INSTALACIÓN	66
PARE	70
PRE LISTA DE COMPROBACIÓN OPERACIÓN	70
PREPARACIÓN	71
OPERACIÓN	76
MANTENIMIENTO.....	77
SOLUCIÓN DE PROBLEMAS.....	79
DECLARACIÓN DE GARANTÍA.....	82

⚠WARNING

ADVERTENCIA: Este producto tiene plomo, una sustancia química conocida al Estado de California a causar cáncer y defectos de nacimiento u otro daño reproductivo.

Lávese las manos después de usar este producto.

⚠ADVERTENCIA

Este producto contiene química conocida por el estado de California a causar cancer, defectos de nacimiento, y otros peligros reproductor.

INTRODUCCIÓN

¡Felicitaciones por la compra de su nuevo sistema de tratamiento de reciclaje de agua! Puede estar seguro de que su sistema de tratamiento de reciclado de agua fue construido y diseñado con la calidad y el rendimiento en mente. Cada componente ha sido rigurosamente probado para asegurar el más alto nivel de aceptación.

Este manual de operación fue compilado para su beneficio. Leyendo y siguiendo los pasos de seguridad, instalación, operación, mantenimiento y resolución de problemas sencillos que se describen en este manual, recibirá años de operación sin problemas de su nuevo sistema de tratamiento de reciclaje de agua. El contenido de este manual se basa en la información más reciente disponible en el momento de la publicación. El fabricante se reserva el derecho a realizar cambios en precio, color, materiales, equipo, especificaciones o modelos en cualquier momento y sin previo aviso.

! IMPORTANT !

These paragraphs are surrounded by a "SAFETY ALERT BOX". This box is used to designate and emphasize Safety Warnings that must be followed when operating this water recycling treatment system.

Accompanying the Safety Warnings are "signal words" which designate the degree or level of hazard seriousness. The "signal words" used in this manual are as follows:

DANGER: Indicates an imminently hazardous situation which, if not avoided, **WILL** result in death or serious injury.

WARNING: Indicates a potentially hazardous situation which, if not avoided, **COULD** result in death or serious injury.

CAUTION: Indicates a potentially hazardous situation which, if not avoided **MAY** result in minor or moderate injury.



The symbols set to the left of this paragraph are "Safety Alert Symbols". These symbols are used to call attention to items or procedures that could be dangerous to you or other persons using this equipment.

ALWAYS PROVIDE A COPY OF THIS MANUAL TO ANYONE USING THIS EQUIPMENT. READ ALL INSTRUCTIONS BEFORE OPERATING THIS WATER RECYCLING TREATMENT SYSTEM AND ESPECIALLY POINT OUT THE "SAFETY WARNINGS" TO PREVENT THE POSSIBILITY OF PERSONAL INJURY TO THE OPERATOR.

Once the unit has been removed from the crate, immediately write in the serial number of your unit in the space provided below.

SERIAL NUMBER _____

Inspect for signs of obvious or concealed freight damage. If damage does exist, file a claim with the transportation company immediately. Be sure that all damaged parts are replaced and that the mechanical and electrical problems are corrected prior to operation of the unit. If you require service, contact your customer service representative.

Please have the following items available for all Service calls:

1. Model Number
2. Serial Number
3. Date and Place of Purchase

CONTENIDOS DEL SISTEMA DE TRATAMIENTO DE RECICLAJE DE AGUA SERIE-WTS

Abrir con cuidado su nuevo sistema de tratamiento de reciclaje de agua de serie-WTS. Compruebe el contenido contra la lista de empaque. Póngase en contacto con la línea de carga si se requiere una reclamación por daños en cualquiera de los componentes. Los siguientes artículos son el equipo básico enviado con su sistema de tratamiento de reciclaje de agua de serie-WTS.

- | | |
|--|---|
| <ol style="list-style-type: none"> 1. Plataforma del sistema de tratamiento de reciclaje de agua <ol style="list-style-type: none"> a. Bomba de Filtro b. Medidor de Flujo de Entrada c. Filtro de Cartucho d. Filtro de Pulido e. Tanque de Producto f. Bomba de Tranferencia g. Tanque del Almacenamiento de Agua Presurizado | <ol style="list-style-type: none"> 2. Tres Flotadores Libres para el Foso de Sumidero <ol style="list-style-type: none"> a. Azul: Proteje el bajo nivel de bomba de sumidero. b. Rojo: Para llenar el foso de entrada de agua fresca. c. Azul: Descarga de alta nivel de fosa. 3. Kit de Prueba de Agua 4. Manual y Lista de Piezas 5. Sonda del Sensor pH con opción pH 6. Sonda de Sensor ORP con la opción ORP 7. Generador de ozono con la opción ozono |
|--|---|

ESPECIFICACIONES


ESPECIFICACIONES			
MODELO	WTR-10-0M10	WTR-10-0M30	WTR-10-0M30 (WX-0132)
FLUJO MÁXIMO	10 GPM		
ELÉCTRICO	208-230V/ 1 FASE / 15 AMPERIOS	208-230V/ 3 FASE/ 8 AMPERIOS	460V/ 3 FASE/ 4 AMPERIOS
BOMBA DE FILTRO	1 HP		
FILTRO DE CARTUCHO 1	30 MICRÓN, 100 PIES CUADRADOS		
FILTRO DE CARTUCHO 2	5 MICRÓN, 100 PIES CUADRADOS		
FILTRO DE PULIDO	110 LIBRES CARBONO		
BOMBA DE TRANSFERENCIA	1/2 HP		
TANQUE DE PRODUCTOS	80 GALONES (302 LITROS)		
TANQUE DE PRESIÓN	20 GALONES (75 LITROS)		
DIMENSIONES	1.83M LONGITUD X 1.21M ANCHURA X 1.52M ALTURA		
PESO NETO	750 LIBRES (340 KG)		
OPCIONES Y ACESORIOS			
CONTROL DE PH (WX-0130)	<1 AMP. 48ML/MIN BOMBA QUÍMICA		
CONTROL DE ORP (WX-0131)	<1 AMP. 48ML/MIN BOMBA QUÍMICA		
OZONO (855-0046)	12 VATIOS, 6 GRAMOS/DÍA		



ADVERTENCIAS DE SEGURIDAD IMPORTANTES

LEA TODAS LAS ADVERTENCIAS DE SEGURIDAD ANTES DE UTILIZAR EL SISTEMA DE TRATAMIENTO DE RECICLAJE DE AGUA



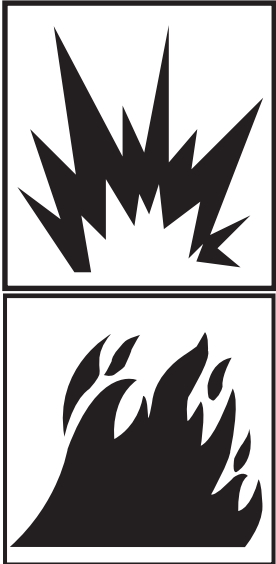
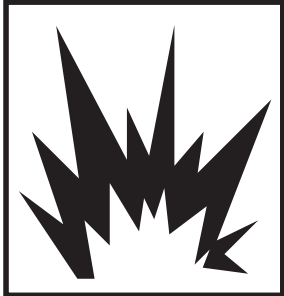

PELIGRO	CONSECUENCIA POTENCIAL	PREVENCIÓN
<p data-bbox="175 239 480 327">RIESGA DE DESCARGA ELÉCTRICA O ELECTROCUCIÓN</p> 	<p data-bbox="558 239 972 516">Lesiones graves o la muerte podrían ocurrir si el sistema de tratamiento de reciclaje de agua no está correctamente conectado a la tierra. Su sistema de tratamiento de reciclaje de agua funciona con electricidad y puede causar una descarga eléctrica o electrocución si no se instala correctamente.</p> <p data-bbox="548 949 980 1066">Una descarga eléctrica puede ocurrir si el sistema de tratamiento de reciclaje de agua no se maneja adecuadamente.</p> <p data-bbox="548 1184 980 1276">Lesiones graves o la muerte podrían ocurrir si se intentan reparaciones eléctricas por personas no calificadas.</p>	<p data-bbox="997 239 1528 352">La instalación de esta unidad, incluyendo todas las conexiones eléctricas, debe cumplir con todos los códigos locales, estatales y nacionales.</p> <p data-bbox="997 369 1528 600">Este producto debe estar conectado a tierra. Conecte a un interruptor de seguridad cuando esté disponible. Si la unidad no funciona bien o rompe, conexión a tierra proporciona una vía de menor resistencia para la corriente eléctrica para reducir el riesgo de descarga eléctrica. No conecte a tierra a una tubería de suministro de gas.</p> <p data-bbox="997 617 1528 785">La conexión incorrecta del conductor de conexión a tierra puede resultar en un riesgo de electrocución. Consulte a un electricista calificado o técnico de servicio si tiene dudas acerca de si el sistema está correctamente conectado a la tierra.</p> <p data-bbox="997 802 1528 1003">Siempre asegúrese de que la unidad está recibiendo voltaje adecuado (+/- 5% de la tensión que aparece en la placa de características). Antes de instalar las conexiones eléctricas, asegúrese de que los interruptores de iniciar están en la posición "OFF".</p> <p data-bbox="997 1020 1528 1079">Mantenga todas las conexiones secas y alejadas del suelo.</p> <p data-bbox="997 1096 1528 1209">NO permita que los componentes metálicos del sistema de tratamiento de reciclaje de agua entren en contacto con los componentes eléctricos vivos.</p> <p data-bbox="997 1226 1528 1394">Nunca haga funcionar el sistema de tratamiento de reciclaje de agua con los guardias de seguridad / cubiertas abiertas o dañadas. Asegúrese de que todas las cubiertas eléctricas están firmemente en sus lugares cuando la unidad está en funcionamiento.</p> <p data-bbox="997 1411 1528 1558">Cualquier cableado eléctrico o las reparaciones realizadas en este sistema de tratamiento de reciclaje de agua debe ser realizado por personal de servicio autorizado de acuerdo con los códigos eléctricos nacionales y locales.</p> <p data-bbox="997 1575 1528 1944">Antes de abrir un armario eléctrico, siempre apague el sistema de tratamiento de reciclaje de agua y drene el agua. Desconecte el sistema de tratamiento de reciclaje de agua de la fuente de alimentación. Si la desconexión de la alimentación no está a la vista, encaje en la posición abierta y etiquétela para prevenir el consumo de energía. (Nunca asuma que el sistema de tratamiento de reciclado de agua es seguro trabajar en sólo porque no está funcionando, ¡podría reiniciar en cualquier momento! Siempre desconecte de la red eléctrica)</p>



ADVERTENCIAS DE SEGURIDAD IMPORTANTES

LEA TODAS LAS ADVERTENCIAS DE SEGURIDAD ANTES DE UTILIZAR EL SISTEMA DE TRATAMIENTO DE RECICLAJE DE AGUA





PELIGRO	CONSECUENCIA POTENCIAL	PREVENCIÓN
<p>RIESGO DE EXPLOSIÓN O INCENDIO</p> 	<p>Lesiones graves o la muerte podrían ocurrir a partir de una explosión o un incendio provocado por una chispa eléctrica del sistema.</p>	<p>Esta unidad debe ser colocado en un área que esté bien ventilado, libre de vapores inflamables, polvos combustibles, gases u otros materiales combustibles.</p>
<p>RIESGO DE ESTALLAR</p> 	<p>Lesiones graves o la muerte podrían ocurrir de estallar causada por una presión excesiva en el sistema.</p> <p>Lesiones graves podrían ocurrir si se intenta iniciar el sistema de tratamiento de reciclaje de agua cuando la bomba está congelada.</p>	<p>No maltrate a los indicadores de presión en el sistema. Los medidores de presión presentarán fallos de funcionamiento si se los somete a una presión excesiva, vibración, pulsación o la temperatura o si se colocan en un ambiente que provoca la corrosión de las piezas. Lecturas incorrectas en un medidor de presión podrían inducir a error al operador y le coloque en una condición de trabajo peligroso.</p> <p>No utilice una bomba de refuerzo o cualquier tipo de sistema de bombeo adicional. Presurizar la succión de la bomba puede causar que el cuerpo de la bomba explote.</p> <p>¡No utilice este sistema de tratamiento de reciclaje de agua para bombear material inflamable! Puede producirse una explosión de una acumulación de vapor de gas en el interior del sistema.</p> <p>En temperaturas de congelación, la unidad debe ser siempre lo suficientemente caliente para asegurar que no hay formación de hielo en la bomba. No arranque el sistema de tratamiento de reciclaje de agua si ha estado en un ambiente de congelación sin permitir que la bomba se descongele.</p>
<p>RIESGO DE QUEMADURAS</p> 	<p>Lesiones graves podrían ocurrir al tocar el motor eléctrico. Esta zona puede permanecer caliente durante algún tiempo después de que el sistema de tratamiento de reciclaje de agua se apaga.</p>	<p>Nunca permita que ninguna parte de su cuerpo se ponga en contacto con el motor eléctrico hasta que se enfríe</p>



ADVERTENCIAS DE SEGURIDAD IMPORTANTES

LEA TODAS LAS ADVERTENCIAS DE SEGURIDAD ANTES DE UTILIZAR EL SISTEMA DE TRATAMIENTO DE RECICLAJE DE AGUA



PELIGRO	CONSECUENCIA POTENCIAL	PREVENCIÓN
<p>RIESGO DE LAS PIEZAS MÓVILES</p> 	<p>Lesiones graves podrían ocurrir al operador de las piezas móviles en el sistema de tratamiento de reciclaje de agua.</p>	<p>No haga funcionar la unidad sin todas las cubiertas protectoras en su lugar.</p> <p>Siga las instrucciones de mantenimiento especificadas en el manual.</p>
<p>RIESGO DE LESIONES CORPORALES</p> 	<p>Lesiones pueden ocurrir por el sistema del tratamiento de reciclaje de agua.</p> <p>Lesiones pueden ocurrir por los productos químicos poniéndose en contacto con el piel.</p>	<p>!NO BEBA EL AGUA EN EL SISTEMA DE TRATAMIENTO DE RECICLAJE DE AGUA! Este agua es no potable y no es adecuado para el consumo.</p> <p>NO PERMITE que los niños operen esta unidad.</p> <p>NO estire ni se pare sobre un soporte inestable.</p> <p>Las superficies mojadas pueden ser resbaladizas, lleve equipo de protección del pie y mantenga buen pie y el equilibrio en todo momento.</p> <p>Sepa cómo detener el sistema de tratamiento de reciclaje de agua. Esté completamente familiarizado con los controles.</p> <p>Antes de dar servicio, SIEMPRE apague el sistema de tratamiento de reciclaje de agua.</p> <p>Nunca utilice disolventes ni detergentes altamente corrosivos o limpiadores de tipo ácido con este sistema de tratamiento de reciclaje de agua.</p> <p>Mantenga todos los productos químicos lejos del alcance de los niños!</p> <p>Consulte las hojas de seguridad para el manejo seguro de los productos químicos utilizados con el sistema, especialmente los oxidantes y ácidos.</p>



!GUARDE ESTAS INSTRUCCIONES!



DIAGRAMA DE FLUJO

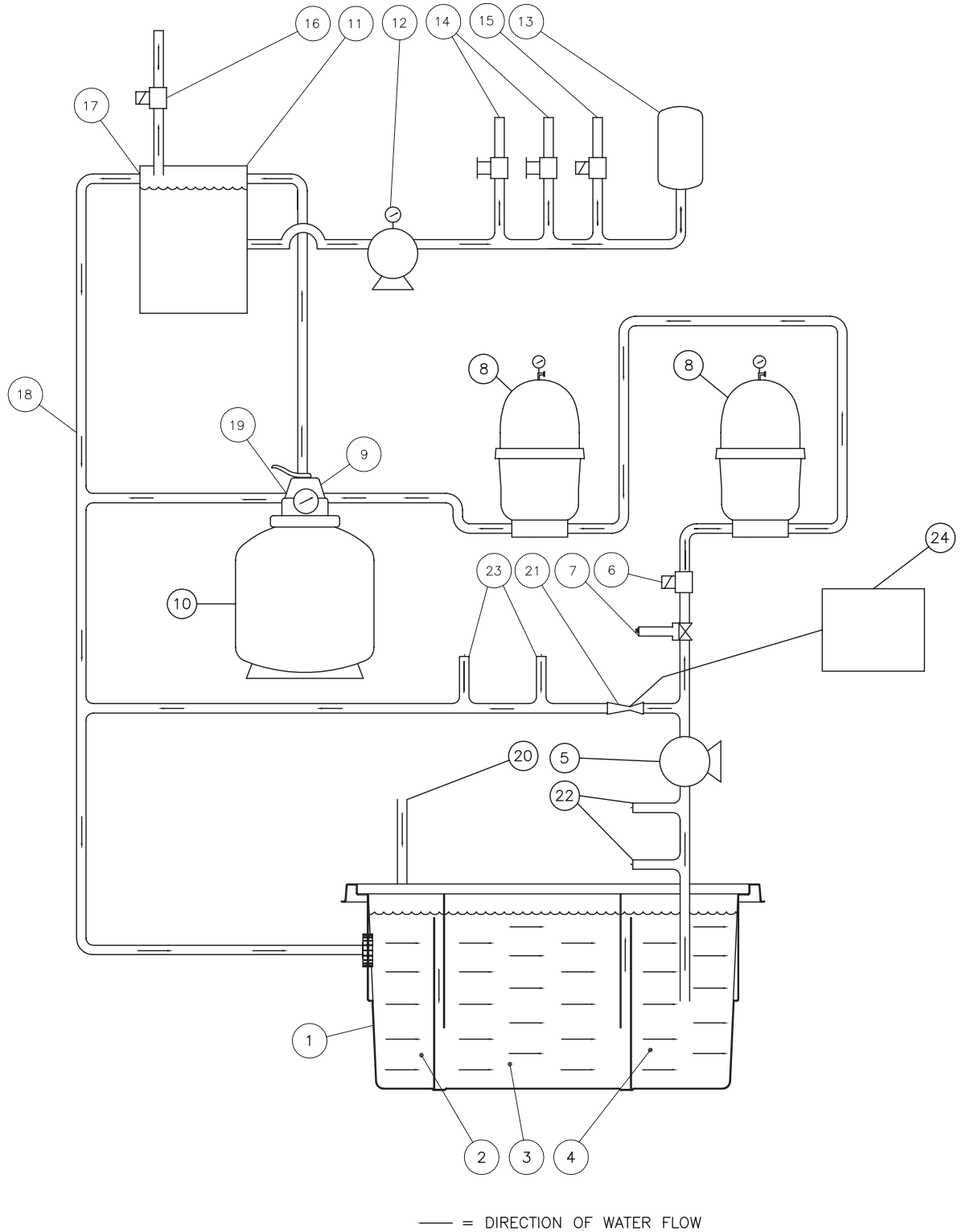


DIAGRAMA DE FLUJO PARA EL SISTEMA DE TRATAMIENTO DE RECICLAJE DE AGUA

El agua utilizada de lavado o de otros procesos (20) se recoge en un suelo debajo **Sistema Pit (1)**. Un sistema bien diseñado permite que sólidos y aceites separen fuera del sistema y consiste en un **lavado con agua Colección Pit (2)**, **la cámara de sedimentación (3)**, y **la Cámara de sumidero (4)**. Al final del sistema de foso, la **bomba de filtrado (5)** atrae el agua y bombea en el sistema de tratamiento de agua. El agua pasa primero a través de la **Válvula de Flujo Entrada (6)** y el **medidor de flujo (7)**. Estos se utilizan en combinación para establecer la velocidad de flujo adecuada en los filtros. Entonces, el agua fluye en el primer y segundo **filtros de cartucho (8)**. La combinación de filtros de cartucho eliminará todas las partículas sólidas a 5 micras de tamaño. Después de que los filtros de cartucho, el agua entra en la Válvula de **Filtro de 7 Maneras (9)** y en el **filtro de clarificación (10)** que contiene carbón activado. El carbón elimina los sólidos disueltos, orgánicos, metales y del sistema al mismo tiempo que la eliminación de olores.

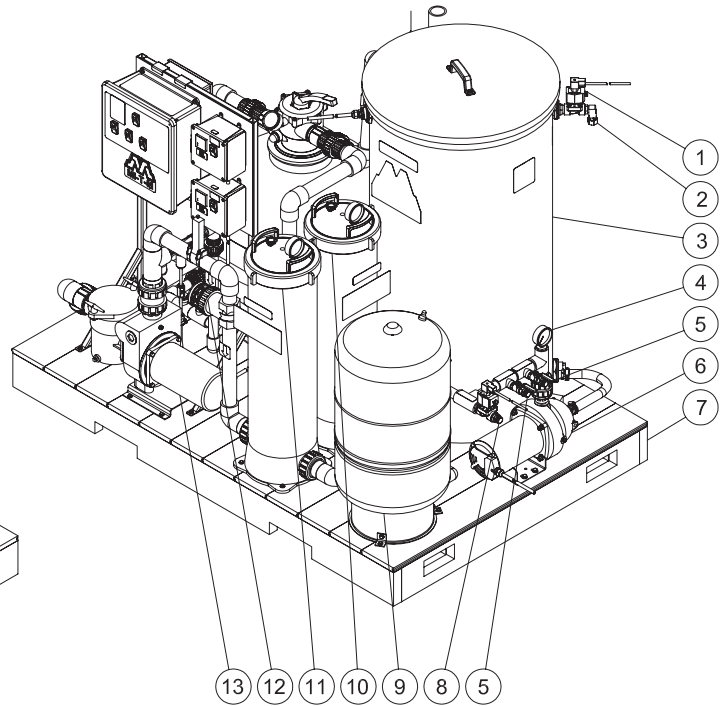
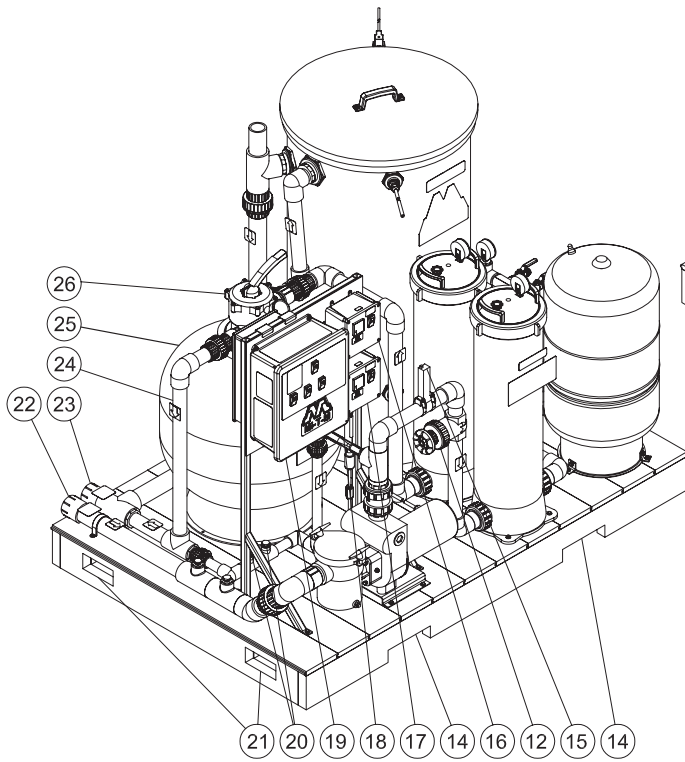
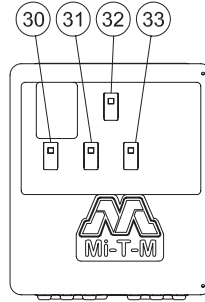
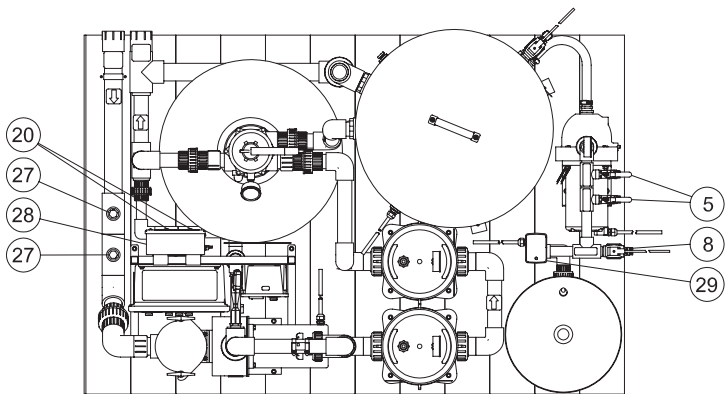
Después del proceso de filtración, el agua se entrega al **Depósito de Producto (11)**. La **Bomba de Transferencia (12)** jala el agua del **Depósito de Producto (11)** y llena el **Tanque de Presión (13)** y colector con agua presurizada. Los dos **Válvulas de Salida de Agua (14)** entrega agua tratada y presurizada en demanda para las lavadoras de presión, enjuagando con una manguera de jardín, u otros procesos. En orden a recircular el agua filtrado, cuando el agua en el **Depósito de Producto (11)** alcanza el Rebose del Depósito de Producto (17) drena de nuevo a la fosa a través de la **Línea de Recirculación (18)**.

En orden a asegurar que el agua que fluye dentro del sistema en todo momento, una parte de la corriente de agua se divide después de la **bomba del filtro (5)** y está enviada de vuelta al **sistema de foso (1)**. El agua se envía a través de un **inyector Venturi (21)** donde el aire o el ozono a través del **generador de ozono opcional (24)** se tira al agua. El aire y el ozono ayudan eliminar los olores en el **sistema de foso (1)**. Si se necesita ORP o control de pH, **sondas (22)** se colocan en la entrada de la **bomba de filtrado (5)** para supervisar el pH y ORP. Los puertos de **inyección químicos (23)** se encuentran en la línea de derivación que se añade ORP y PH química de forma automática y se entrega al **sistema de foso (1)**.

Como parte del mantenimiento programado, el **Filtro de Pulido (10)** tendrá que ser de nuevo lavada periódicamente. Con la Válvula de **Filtro de 7 Maneras (9)** en la posición de vuelta de lavado, el agua pasa hacia atrás a través del filtro en la **parte posterior de lavado de puerto (19)** y de vuelta al sistema de foso (1) a través de la **línea de recirculación (18)**.

Flotes en el **sistema de foso (1)** controlan automáticamente el **Agua Fresca Controla de Solenoide (16)** para añadir agua fresca al **tanque/depósito de producto (11)** y el **Agua de Lluvia de Desbordamiento de Solenoide (15)** para descargar el exceso de agua del sistema según sea necesario.

WTR CARACTERÍSTICAS



ÍTEM	DESCRIPCIÓN
1.	Solenoide de agua dulce
2.	Conexión de agua dulce
3.	Depósito/Tanque de Producto
4.	TRANSFER PUMP PRESSURE GAUGE
5.	Válvula de Salida de Agua
6.	Bomba de Transferencia
7.	Plataforma
8.	Solenoide de Desbordamiento de Agua de Lluvia
9.	Tanque de Presión
10.	Filtro de 5 Micrón
11.	Filtro de 30 Micrón
12.	Válvula de Control de Entrada
13.	Bomba de Filtro
14.	Agujeros de Máquina Elevadora del Lado
15.	Medidor de Corriente
16.	Caja de Control pH (opcional)
17.	ORP CONTROL BOX (OPTIONAL)
18.	VENTURI INJECTOR
19.	Caja de Control
20.	Ubicación de inyección de productos químicos (opcional)
21.	Agujeros de Máquina Elevadora del Extremo
22.	Tuberías de Entrada
23.	Línea de Recirculación
24.	Línea de Resaca
25.	Filtro de Pulido
26.	Válvula de Esfera de 7 variedades
27.	Ubicación de Sonda de pH y ORP (opcional)
28.	Generador de Ozono (opcional)
29.	Interruptor de Presión
30.	Interruptor de Bomba de Filtro
31.	Interruptor de Bomba de Transferencia
32.	Interruptor Maestro
33.	Interruptor de Sistema Auxiliar

INSTALACIÓN

NOTA: Vestimenta adecuada es esencial para su seguridad. Se recomienda utilizar todos los medios necesarios para proteger los ojos, los oídos y la piel.

1. Un sistema de fosa colector ya debe ser una estructura establecida antes de instalar el sistema de tratamiento de reciclaje de agua WTR-Series. Un sistema de fosa bien diseñado es crítica para el funcionamiento adecuado del sistema de reciclaje y su diseño dependerá de la aplicación.

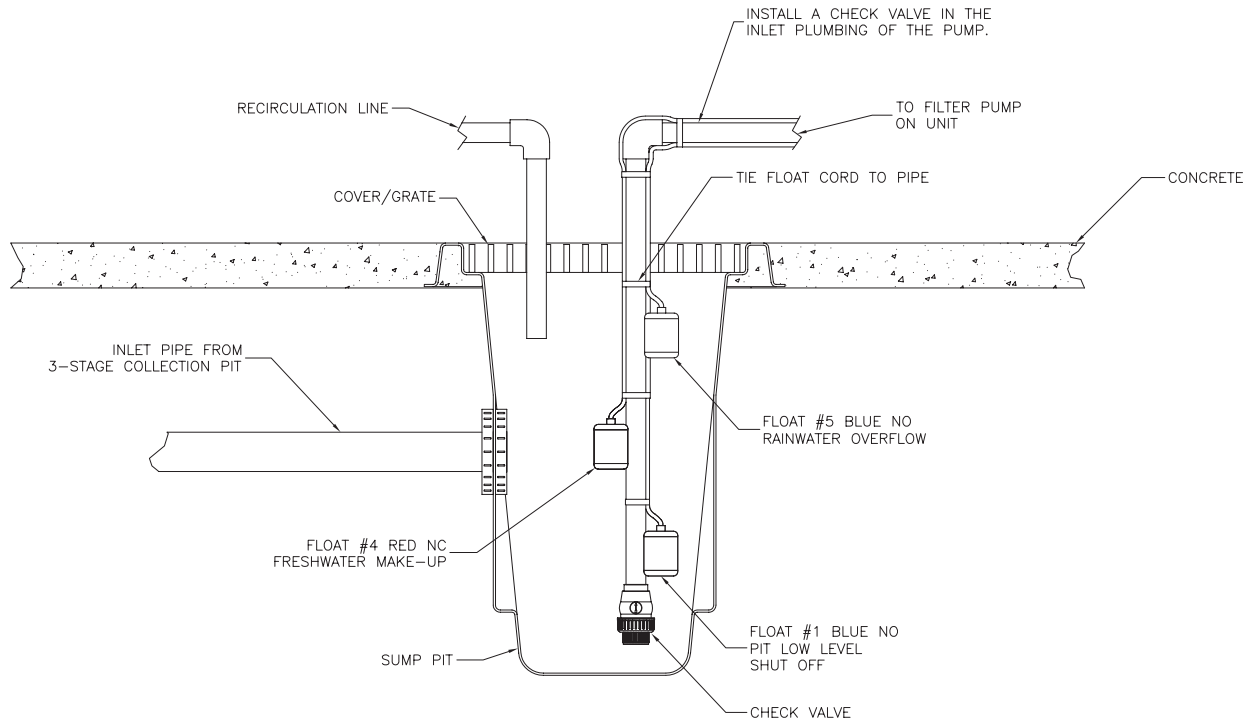
Aplicación: (Si la instalación de la fosa adecuada no es posible, consulte a la fábrica o el distribuidor para arriba el movimiento de suelos y retención del tanque montajes que trabajarán con el sistema) A continuación se presentan las reglas que se deben seguir en la mayoría de las circunstancias. Cada sistema de lavado o el tratamiento del agua es diferente por lo que las siguientes pautas pueden alterarse dependiendo de la aplicación. Consulte con el distribuidor o la fábrica con preguntas.

- a. Lavado Leve: menos de 300 galones por día (GPD). Lavarse de equipos leves: coches, carros de golf, cortadoras de césped, piezas, etc Suciedad y carga de aceite baja. 2x2 PIT-75 galones.
 - b. Lavado Leve a Mediano: 300-600 galones por día (GPD). Lavarse de coches, carros de golf, cortadoras de césped, piezas, camiones. Suciedad y carga de aceite baja. 3x3 PIT-200 galones.
 - c. Lavado Mediano a Pesado: 600-1500 galones por día (GPD). Lavarse de coches, carros de golf, cortadoras de césped, piezas, camiones, equipo de excavación pequeña, tractores. Suciedad y carga de aceite mediano. 3x9 PIT-600 galones. Pozos 3x9 vienen en varios diseños de deflectores que deben ser seleccionados en base a la aplicación.
 - d. Lavado Pesado: 1500 GPD+: lavarse de coches, carros de golf, cortadoras de césped, piezas, camiones, equipo de excavación pequeña o grande, tractores, buldozores, cargadoras, etc. Use una combinación de fosas para ser capaz de mantener aproximadamente la mitad del agua utilizada en un día, y diseñado para captar la mayor cantidad de sólidos y aceites antes de que el sistema de tratamiento. Para las aplicaciones de lodo pesado con equipos de vía o grande de concreto similar, se recomienda fosas de conducir para la captura y eliminación de lodo que se acumula con el tiempo. Combinar con floculante o coagulante y tanques de sedimentación para eliminar la mayor parte de lodo antes de que alcance la WTR-10.
2. Coloque el plataforma de sistema de tratamiento de reciclaje de agua sobre una superficie dura y nivelada en un área libre de vapores inflamables, polvos combustibles, gases y otros materiales combustibles. La unidad debe ser colocada sin más de 15 pies o más altos 50 pies horizontales desde donde la bomba de filtrado se tire de.
 3. Configure la unidad para que tenga acceso a los cuatro lados.
 4. No coloque la unidad en una área:
 - a. Con ventilación insuficiente.
 - b. Donde los riesgos ambientales (es decir lluvia y nieve) pueden entrar en contacto con el sistema de tratamiento de reciclaje de agua.
 - c. Donde la unidad se puede congelar.
 5. El sistema de tratamiento de reciclaje de agua se suministra con algunas conexiones de unión aflojados para proteger la unidad de daños durante el transporte. Apriete todas las conexiones de unión en este momento.
 6. Utilice conexiones de deslizamiento de un programa de 80 PVC.
 - a. Instale las tuberías del Foso del Sumidero a la Entrada de **Bomba de Filtro** usando tamaños de conexión mínimo de 2".
 - b. Instale una válvula de retención al **Foso del Sumidero**.
 - c. Instale las tuberías del Retorno de Salida de Foso al Foso de Captura de Agua, usando tamanos de conexión mínimo de 2".

INSTALACIÓN

7. Instale los tres flotadores en el **foso del sumidero**. Permita una correa de sujeción de 2" y suficiente espacio para que se muevan libremente sin interferir con la fontanería.
 - a. Flotante #1 Azul: Pit de Cierre de nivel bajo. Adjunte este objeto flotante 10" encima de la entrada.
 - b. Flotante #4 Rojo: Hecho de agua dulce. La altitud de este objeto flotante debe ser ajustada al sistema individual de pit.
 - c. Flotante #5 Azul: Desbordamiento de agua de lluvia. La altitud de este objeto flotante debe ser ajustada al sistema individual de pit.

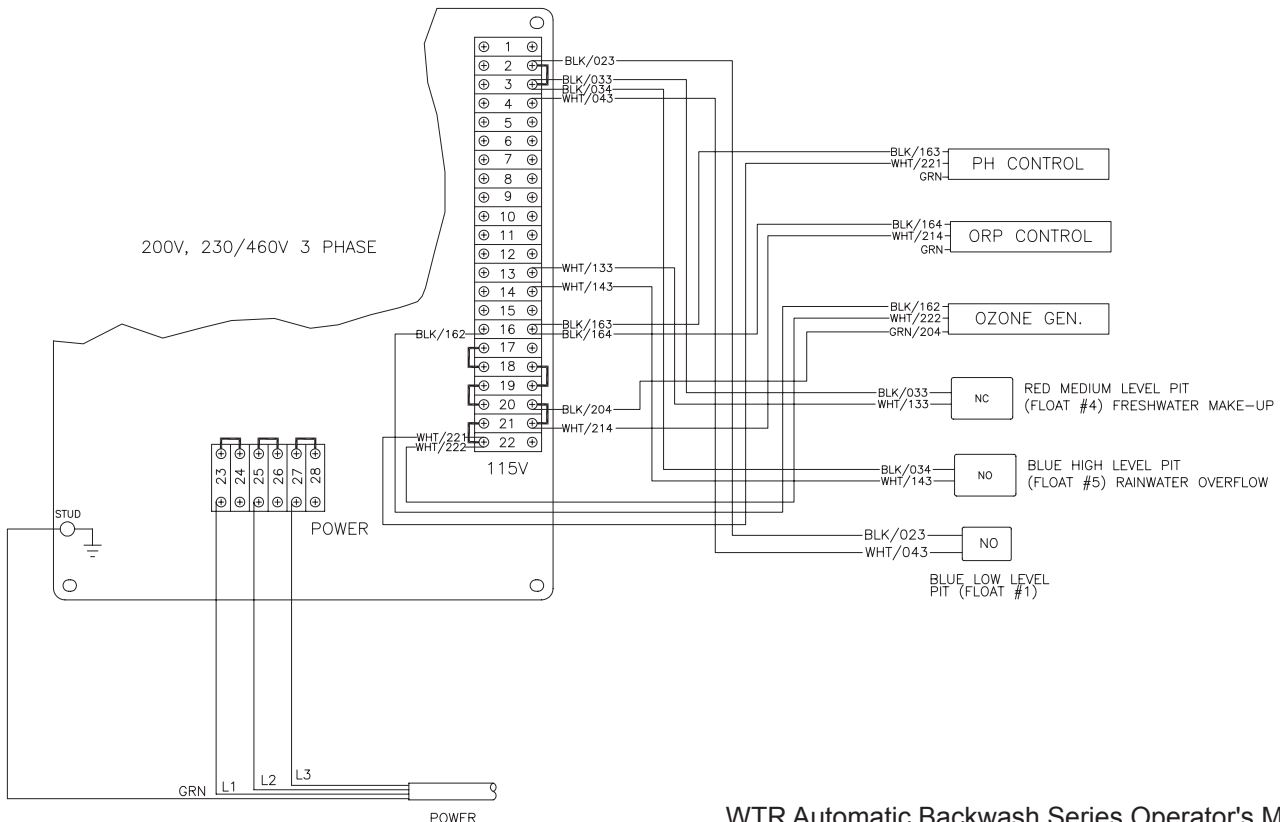
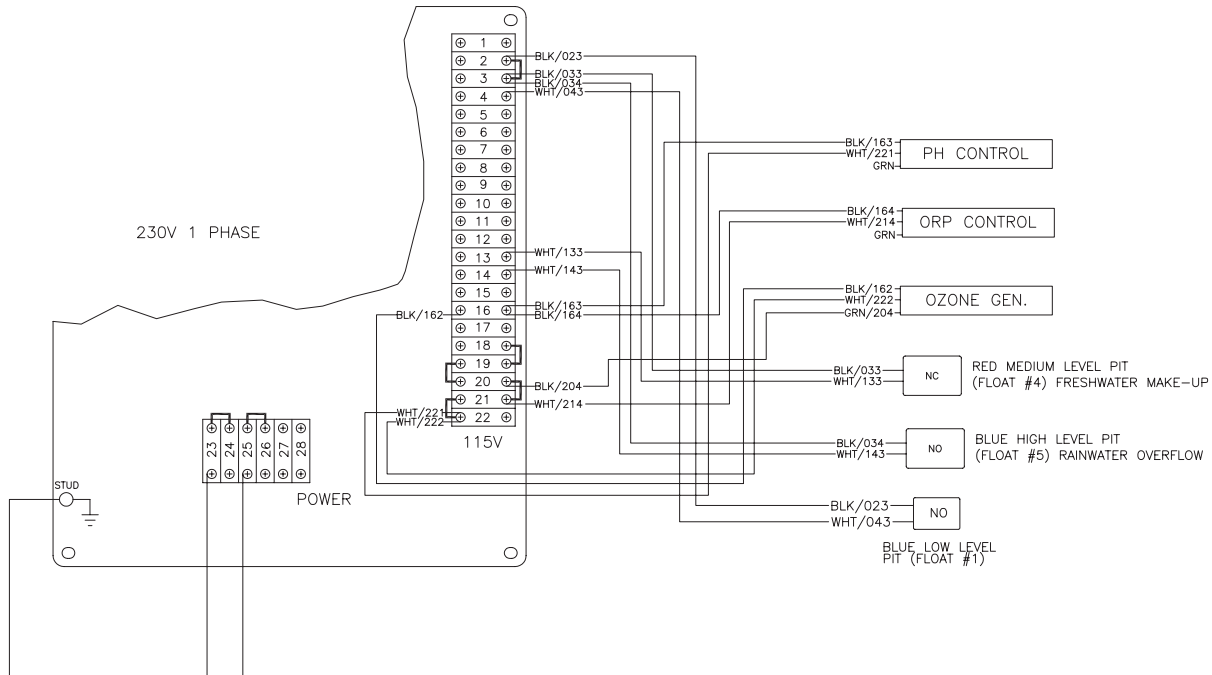
NOTA: La información de arriba es sólo para referencia. Los instaladores profesionales o arquitectos pueden usar esta guía para satisfacer requisitos específicos del sitio.



ADVERTENCIA PELIGRO DE ELECTROCUCIÓN! PARA REDUCIR EL RIESGO DE ELECTROCUCIÓN, MANTENGA TODAS LAS CONEXIONES SECAS Y ALEJADAS DEL SUELO.

INSTALACIÓN

8. Un electricista cualificado debe conectar el sistema eléctrico.
 - a. Compruebe que el suministro eléctrico en la fuente de alimentación está apagado.
 - b. Compruebe que todos los interruptores en el **panel de control** están en la posición "OFF"..
 - c. Ejecute el conducto o cable estanco al agua de los Flotadores del **Foso de Sumidero** al **Panel de Control**.
 - d. Ejecute el conducto estanco al agua de la desconexión local al **Panel de Control**.
 - e. El electricista tendrá que perforar agujeros en el **panel de control** para el conducto y / o el cable (s).
 - f. Haga las conexiones a las gletas de terminales como se muestra en la página siguiente.



FIELD WIRING DIAGRAM WTR-10-0M10 040116

INSTALACIÓN

NOTA: Si la unidad fue ordenada a las opciones / PH /ORP / u ozono, éstos estarán conectados por la fábrica. Si estas opciones van a ser añadidas en un momento posterior, consulte los diagramas de abajo para conectarlos correctamente.

9. Realiza las siguientes conexiones de la manguera:

- a. De un suministro de agua a presión al Hecho de **agua dulce**.
- b. De la Salida de la Lavadora de Presión a la lavadora de presión.
- c. Desde el **desbordamiento de agua de lluvia** a un tanque de almacenamiento para su posterior procesamiento o disposición. **NO ENVIE EL AGUA DE NUEVO A LA PIT DE CAPTURA DE AGUA!**

NOTA: En la mayoría de los casos, debe tener un permiso para disponer legalmente del agua descargada.

10. Instalando PH/ORP/Ozono en el campo.

1. Si la unidad se ordena desde la fábrica con estas opciones, el PH, ORP, y el ozono se ha sido instalado y cableado en la unidad y está listo para la preparación. Si no, sigue las directrices indicadas a continuación para instalar estas opciones en el campo.

2. PH y ORP:

- a. Retire el tapón en el lado de entrada de la bomba de filtración. Instale el protector de cables de aluminio de 1/2 que viene con las opciones.
- b. Instale el tapón de silicona en el alivio de tensión para sellar la línea hasta que esté listo para la instalación de la sonda. Siga las instrucciones de instalación de sondas que se encuentran en la sección de preparación del manual.
- c. Monte la caja de control en los orificios provistos en el soporte del panel de control.
- d. Conecte el cable de alimentación dentro de la caja de control principal utilizando el siguiente diagrama de cableado.
- e. Retire el tapón del lado de salida de la bomba de filtración, un poco más allá del inyector Mazzei. Reemplace con el adaptador de la manguera 1/2.
- f. Ejecute la manguera de productos químicos provisto de la salida de la bomba química y adjunte al adaptador de manguera.
- g. Con la otra longitud de manguera de productos químicos y el filtro, deje caer en el cubo químico que se utiliza para ajustar el pH u ORP.
- h. Siga las instrucciones de calibración y ajuste de punto que se describen en la parte de preparación del manual.

3. Ozono:

- a. Cuelgue el generador de ozono de la parte posterior del soporte del panel de control utilizando soportes incluidos con el conjunto.
- b. Fije la manguera azul provisto de válvula de bola mazzei a la salida del fondo de la lengüeta en el generador.
- c. Conecte el cable de alimentación en la caja de control principal en los terminales que se muestran en el diagrama de cable de campo.
- d. Siga las instrucciones en la parte operativa del manual y el manual que se incluye con el generador de ozono.

PARE

PARA ASEGURAR QUE SU SISTEMA DE TRATAMIENTO DE RECICLAJE DE AGUA OPERA CON SEGURIDAD Y EFICIENTEMENTE, COMPLETAR LA LISTA DE PRE-OPERACIÓN ANTES DE CONTINUAR.

PRE LISTA DE COMPROBACIÓN OPERACIÓN

Antes de continuar, conteste todas las preguntas en esta lista.	SI	NO
CÓDIGAS:		
1. ¿El cableado eléctrico cumple con todos los códigos? _____		
2. ¿La plomería cumple con todos los códigos? _____		
UBICACIÓN:		
1. ¿Está la unidad ubicada en una superficie plana y dura libre de vapores inflamables, polvo combustibles, gases u otros materiales combustibles? _____		
2. ¿La unidad se encuentra en una amplia zona ventilada? _____		
ELÉCTRICO:		
1. ¿Está la unidad conectada a tierra correctamente? _____		
2. ¿La fuente de alimentación, voltaje y amperaje coincide con la placa de datos? _____		
PLOMERÍA:		
1. ¿Está la tubería de tamaño correcto? _____		
2. ¿Está instalado la válvula de retención antes de la bomba de sumidero ? _____		
3. ¿Están aseguradas todas las conexiones de plomería? _____		
4. ¿Están aseguradas todas las conexiones de manguera? _____		
GENERAL:		
1. ¿Todos los operadores que utilizan esta unidad han leído y entendido este manual en su totalidad? _____		
2. ¿Se ha instalado la unidad de personas de servicio calificados que siguieron a la instrucciones que se indican en este manual? _____		

NOTA: Si “No” fue marcado a cualquiera de estas preguntas, corree la situación antes de operar.

PREPARACIÓN

PROCEDIMIENTOS PREVIOS AL ARRANQUE:

1. Coloque las válvulas en el sistema de tratamiento de reciclaje de agua WTR en el "modo de arranque".
-La válvula de Control del flujo de agua de entrada: Gire la válvula de una corta rotación completamente cerrada.
 2. Asegúrese de que todas las mangueras estén bien conectados.
 3. Asegúrese de que el tubo de aire de entrada al **Generador de Ozono** no está obstruido.
 4. Asegúrese de que todos los interruptores en el **Panel de Control** están en la posición desconectada "OFF".
 5. Encienda la fuente de alimentación. La **luz indicadora de encendido** debe iluminarse.
-

INICIAR:

1. Asegúrese de que el suministro de agua a la **composición del agua dulce** está encendido y el foso se llena de agua. Si el foso no está lleno, el agua se llene el **depósito de producto** y el desbordamiento a **través del drenaje de desbordamiento** y de vuelta al **foso del sumidero**.
2. Para cebar la **bomba del filtro**, retire la tapa sobre la **cesta de filtro** y llene la **cesta de filtro** y la fontanería del **foso del sumidero** de la **bomba de filtro** con agua, luego vuelva a colocar la tapa.
3. Encienda el interruptor de la bomba del filtro y el agua comenzará a fluir en el sistema como el aire se purga de las líneas.
4. El agua comenzará pasando a través de la Mazzei, tirando en el aire y fluyendo de vuelta al sistema de fosa.
5. Aumente el flujo por ajustando la válvula de control de entrada de agua a entre 10-20GPM utilizando el medidor de flujo y leyendo desde la parte superior del flotador.
6. Purgue el aire de los filtros de cartucho por abriendo la válvula de alivio en la parte superior del filtro hasta que el agua comienza a salir del filtro.
7. El agua comenzará a llenar el filtro de pulido y depósito de producto. A medida que el tanque se llena de producto, con el tiempo llegar al puerto de desbordamiento y comenzar la recirculación de vuelta al sistema de foso. Si el agua en el tanque de producto sigue aumentando y alcanza el flotador-corte de la bomba de filtro, entonces la tasa de flujo de entrada debe ser bajado.
8. Cuando el agua en el depósito de producto ha llegado al puerto de desbordamiento, abra la válvula de salida de arandela de la presión hasta que sale el agua para cebar la bomba de transferencia.
9. Encienda el interruptor de la bomba de transferencia y permita que el tanque de presión llene. La bomba de transferencia se ejecutará hasta que la presión en la línea llega a 50 PSI. El sistema está listo para alimentar a una lavadora a presión o manguera de jardín con agua reciclada.

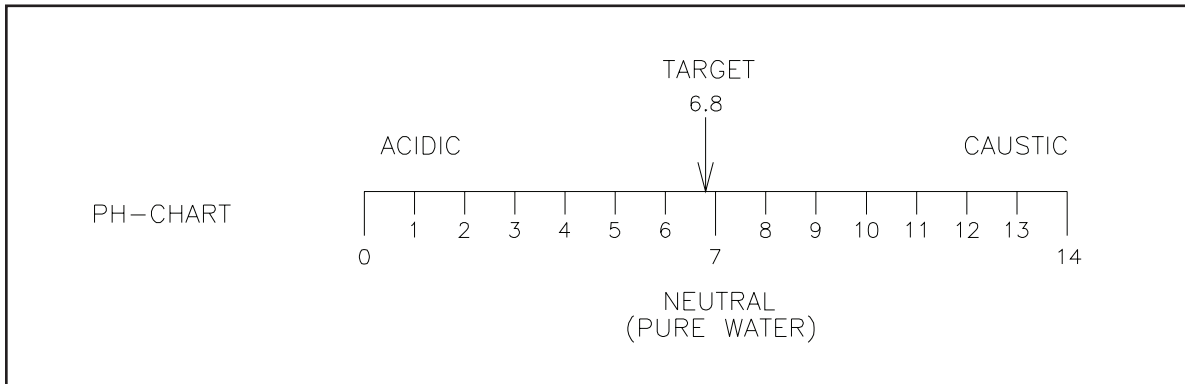
PREPARACIÓN

SISTEMA DE CONTROL DE pH Y ORP (SI INCLUIDO):

Los niveles apropiados de pH y ORP se deben mantener en el foso para evitar el crecimiento de bacterias, algas, olores, etc. El agua debe ser químicamente equilibrada para reciclar de manera eficaz.

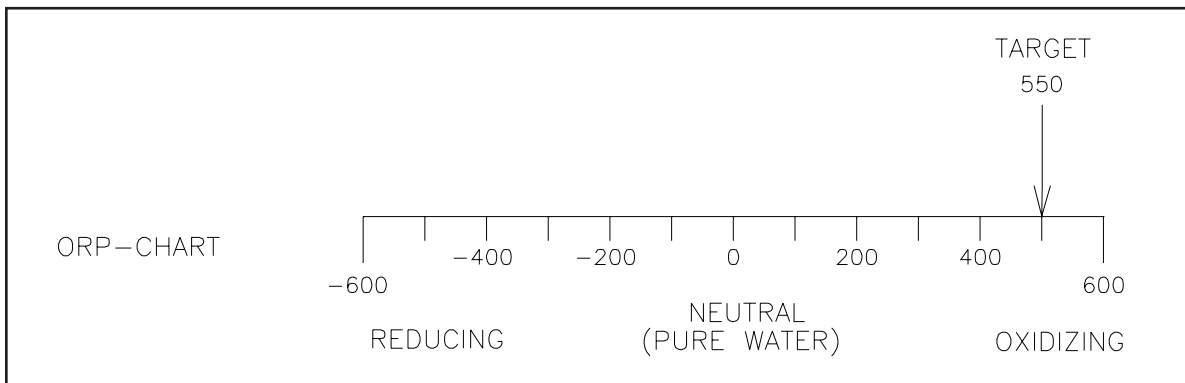
A medida que el agua entra en el sistema se mueve más allá de los sensores de pH y ORP. Las sondas de sensores analizan los niveles de pH y ORP en el agua.

- a. **Sensor de la sonda de pH.** Esta sonda analiza el pH (acidez y la alcalinidad) en el agua. Si el agua es demasiado ácida (pH bajo) el ácido se romperá el hierro presente en el agua al estado líquido, lo que provoca el agua que mira fuera de forma en el sistema. Si el agua es demasiado alcalina (pH alto) potencial del agente ORP a matar las bacterias se reducirá drásticamente.



WLP-0008-112098-JJ

- b. **Sensor de la sonda ORP.** Esta sonda se analiza el potencial de óxido-reducción (ORP). Esta lectura indica la cantidad de agente letal de bacteria en el agua.



WLP-0009-112098-JJ

Las sondas analizan los niveles de pH y ORP del agua y muestran las lecturas en los medidores digitales de **pH y ORP**.

PREPARACIÓN

INSTALACIÓN DE LAS SONDAS pH Y ORP:

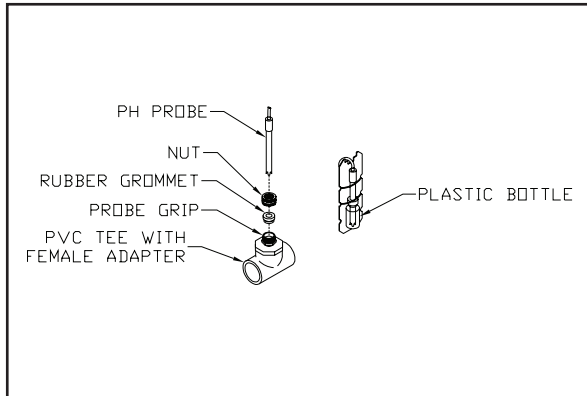
⚠ PRECAUCIÓN: RIESGO DE DANOS A LAS SONDAS!

NO PERMITA QUE LAS SONDAS SE ESTEN EXPUESTAS AL AIRE. UNA VEZ SONDAS ESTÁN EN SU LUGAR, ENCIENDE EL AGUA INMEDIATAMENTE.

MANEJE CON CUIDADO LAS SONDAS YA QUE SON DE VIDRIO.

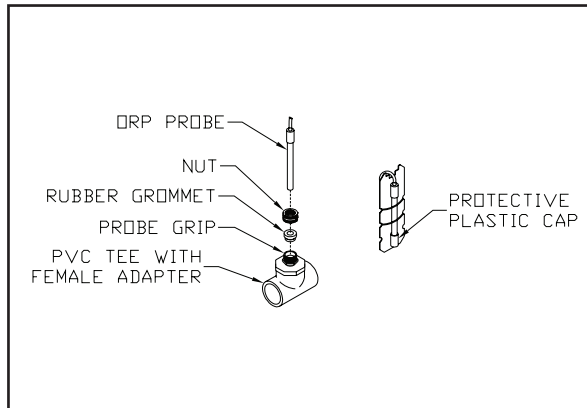
NO PERMITA QUE LOS SONDAS ESTEN EXPUESTOS A AMBIENTES DE CONGELACIÓN. CONSERVE EN EL ENVASE ORIGINAL EN QUE FUERON ENVIADAS LAS SONDAS. QUE SERÁN NECESARIOS PARA EL ALMACENAMIENTO DE SONDAS DURANTE INVIERNO.

Sonda de Sensor pH



1. Apague el interruptor de la bomba del filtro y asegúrese de que no hay agua que se descarga.
2. Busque las empuñaduras de la sonda en las sondas de sensores y desenrosque la tuerca de una de las mordazas.
3. Retire una de las sondas (pH u ORP) de su contenedor de almacenamiento. (Asegúrese de guardar el recipiente para almacenamiento de la sonda durante el invierno.)
4. Retire con cuidado la tuerca de la empuñadura de la sonda sobre la sonda de vidrio.
5. Empuje suavemente la sonda a través de la empuñadura de la sonda de aproximadamente 2 pulgadas y apriete la tuerca en la empuñadura de la sonda.
6. Repita el proceso para el resto de la sonda.
7. Encienda el interruptor de la bomba de filtro y el interruptor de los medidores de pH/ORP.

Sonda de Sensor ORP



LAS SONDAS NO SE PUEDE PERMITIR QUE SE SEQUEN.

PREPARACIÓN

AJUSTE DE LOS MEDIDORES DE pH Y ORP:

Nota: Para las nuevas unidades, medidores de pH y ORP ya se han configurado y calibrado. Bomba de filtro y el interruptor auxiliar debe permanecer encendido durante todo el proceso.

OPERACIÓN:

OPERACIÓN DE TECLADO

1. Tecla "SEL"; cambia la pantalla superior al primer menú de programación, avanza la pantalla a través del menú y fija la información programada en la memoria.
2. "Λ" tecla de flecha arriba, aumenta el valor mostrado en la pantalla verde (inferior).
3. "V" Tecla de flecha abajo, baja el valor mostrado en la pantalla verde (inferior).
4. Pulse y mantenga pulsada la tecla "SEL" durante aproximadamente 3 segundos y "HYS" aparecerá en la pantalla superior. Mantenga pulsada la tecla "SEL" durante aproximadamente 6 segundos y aparecerá P-n1.

PROGRAMACIÓN

1. Cómo cambiar el punto de ajuste:

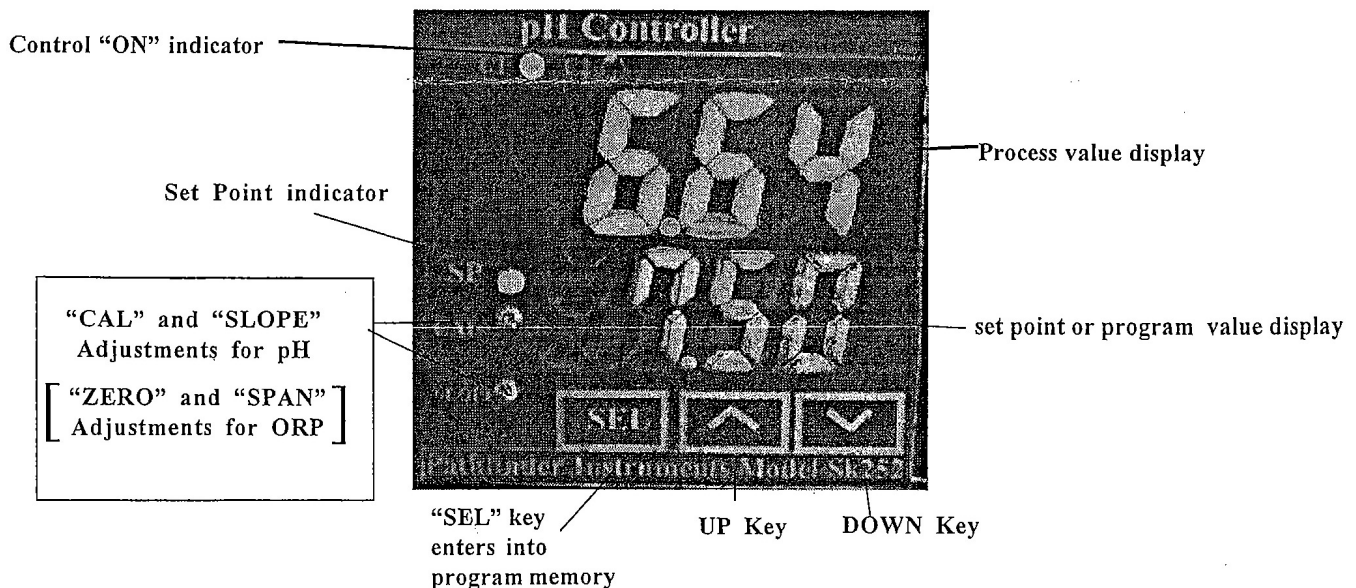
Pulse la tecla "Λ" de flecha arriba o "V" flecha hacia abajo hasta que aparezca el número correcto, el nuevo punto de ajuste estará activo después de 5 segundos

2. Cómo cambiar la acción de control (relé se activa por encima o por debajo del punto de ajuste):

Mantenga pulsada la tecla "SEL" durante aproximadamente 6 segundos y "P-n1" aparecerá en la pantalla superior, el código de control aparecerá en la pantalla inferior, "0" o "1" accionará por debajo del punto de ajuste, "2" o "3" se accionará por encima del punto de ajuste. Pulse el interruptor de "SEL" una vez, el valor parpadeará, cambie el valor con las teclas de "arriba" o "abajo", y pulse la tecla "SEL" de nuevo para fijar en la memoria. Manteniendo pulsada la tecla "SEL" durante aproximadamente 2 segundos volverá al funcionamiento normal.

3. Cómo programar Histéresis:

Mantenga pulsada la tecla "SEL" durante aproximadamente 3 segundos y "HYS" aparecerá en la pantalla superior, la cantidad de histéresis aparecerá en la pantalla inferior, pulse la tecla "SEL" una vez y la cantidad parpadeará, cambia la cantidad a la que desee valor con las teclas "arriba" o "abajo", pulse "SEL" de nuevo para fijar en la memoria. Manteniendo pulsada la tecla "SEL" durante aproximadamente 2 segundos volverá al funcionamiento normal.



Front Panel

PREPARACIÓN

AJUSTE DE MEDIDORES DE pH Y ORP:

CALIBRACIÓN:

CÓMO CALIBRAR pH:

El panel frontal tiene dos ajustes con la etiqueta "CAL" y "SLOPE", ajuste siempre la primera CAL.

1. Asegúrese siempre de que la sonda de pH está conectada al medidor.
2. Coloque la sonda en una solución amortiguadora # 7. Ajuste la lectura "CAL" para un pH de 7,00.

Nota: Existe una vida útil limitada en soluciones amortiguadoras. Por favor asegúrese de que el buffer está activo. En lugar de utilizar soluciones amortiguadoras, es posible utilizar una parte # RC-1003-0001, que es un calibrador electrónico.

3. Retire y enjuague la sonda con agua del grifo.
4. Coloque la sonda en un buffer # 4 o # 10, dependiendo del uso de instrumentos (ácido o base). Ajuste la "pendiente/SLOPE" a una lectura de 4,0 o 10,0 pH.
5. Calibración esta completada.

CÓMO CALIBRAR EL ORP:

El panel frontal tiene dos ajustes marcados "CERO" y "SPAN", el controlador de ORP se puede calibrar con una fuente de milivoltios sustituido por una sonda.

Corte el conector de entrada y ajuste el ajuste de cero para una lectura de 0000. Aplique 500 mV a partir de una fuente de milivoltios precisa y ajuste el ajuste de SPAN para una lectura de 0500.

Para verificar la exactitud de la calibración de la sonda ORP y ORP, un kit está disponible desde el fabricante, se compone de suficiente material para hacer 30 pruebas, que contiene reactivos, agitadores, vasos de precipitados e instrucciones.

CONFIGURACIÓN FINAL DEL SISTEMA DE pH Y ORP:

1. Coloque las mangueras de las **bombas de pH y ORP** en los productos **químicos de ajuste**.
 - a. El producto químico de pH recomendado para este sistema es sulfato de aluminio.
 - b. El producto químico ORP recomendado para este sistema es Bleach.
2. Encienda los **interruptores de bombas de pH y ORP**. Los productos químicos se introducen en el agua cuando sea necesario.

OPERACIÓN

1. El sistema de tratamiento de reciclaje de agua ahora está listo para operar y utilizar.
2. Asegúrese que los interruptores en el **Panel de Control** están en las posiciones siguientes:

Interruptor de Medidor

CONECTADO/ON

Bomba de filtro

CONECTADO/ON

Bomba de Transferencia

CONECTADO/ON

Sistemas auxilios

CONECTADO/ON

3. Con la bomba de filtro usando, utilice **la válvula de control de flujo de entrada de agua** para asegurarse de que el flujo está en un nivel para que no fluya sobre el tanque de retención. En algún lugar entre 10-20 GPM.
4. Controle el sistema de atención los primeros días para garantizar su buen funcionamiento.

MANTENIMIENTO

FILTROS:

Los filtros de cartucho: Inspeccione y limpie si es necesario cada dos meses o cuando los filtros se obstruyen. Cuando el indicador de presión en el filtro lee 30 PSI o superior es el momento de limpiar o reemplazar el filtro. (Los nuevos cartuchos se pueden solicitar a través de su distribuidor local. El elemento 30 micras tiene el número de 19-0274, mientras que el elemento de 5 micras es parte número 19-0282)

1. Extracción del filtro: Cierre la bomba de filtro. Desenrosque el anillo de bloqueo en la parte superior del filtro. Utilice un destornillador si es necesario y las asas para levantar la tapa del filtro fuera de la unidad. Tire del filtro.
2. Utilice una manguera de jardín para limpiar los escombros acumulados fuera del filtro y se deja escurrir de nuevo en el sistema de foso.
3. Cuando el filtro parece estar bien limpia, lo puso de nuevo en la carcasa. El interior del filtro tendrá que deslizar sobre el saliente inferior de la carcasa del filtro para sellar correctamente. Asegúrese de que la junta tórica esté limpia de escombros y reemplace la tapa y el anillo de bloqueo hasta que quede apretado.
4. Inicie la copia de seguridad de la bomba de filtro. El manómetro debe estar de vuelta a la normalidad (por debajo de 20 PSI). Si el manómetro todavía parece alta, es el momento de sustituir el filtro. Purgue el aire desde el filtro aflojando la válvula de alivio hasta que el agua salga al iniciar los filtros de copia de seguridad.

NOTA: La contrapresión causada por el filtro de pulido también puede hacer que los filtros de cartucho parezcan de alta presión. Asegúrese de que el filtro de pulido está bien mantenido y lectura por debajo de 20 PSI antes de reemplazar un filtro de cartucho debido a una lectura de alta presión.

Filtro de Pulido: El filtro de pulido contiene los medios de carbón activado que se necesitan para ser de nuevo lavada una vez o dos veces por semana. Además, el filtro de clarificación debe volver a lavar cada vez que el manómetro marque 30 PSI o superior.

RETROLAVANDO EL FILTRO DE PULIDO:

1. Con la bomba de filtración en pie, marque el medidor de flujo de entrada hasta por debajo de 10 GPM.
2. Corte desconecte el interruptor de la bomba de filtración.
3. Gire la válvula de línea de 7 vías en la parte superior del filtro a la configuración de retrolavado.
4. Vuelva a encender el interruptor de la bomba de filtración. El agua debe ser visto salir el filtro de pulido de nuevo lavar puerto.
5. Ajuste el flujo según sea necesario para mantener la mayor cantidad de carbono se escape posible. Es normal para obtener unos trozos pequeños purgada, pero grandes cantidades dará lugar a un agotamiento de los medios a través del tiempo.
6. Después de unos 3 a 5 minutos o cuando la calidad del agua borra visiblemente (partidos agua de entrada), apague el interruptor de la bomba del filtro.
7. Cambie de nuevo la válvula de línea de 7 vías en la parte superior del filtro a la configuración de funcionamiento normal.
8. Vuelva a encender el interruptor de la bomba de filtro y ajuste la válvula de control de entrada de 10-20GPM.
9. Compruebe que el indicador de presión en el filtro de pulido ahora muestra que la presión es más baja.

RETIRE Y RECARGA DE LOS MEDIOS DEL FILTRO PULIDO:

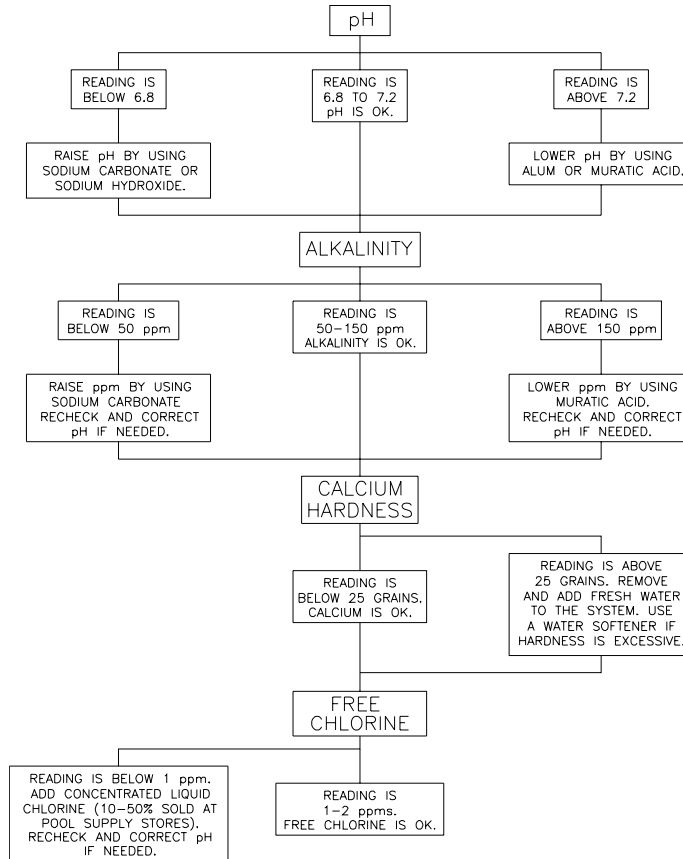
1. Nuevo carbono se puede solicitar a su distribuidor local bajo el número 33-0302 parte. El filtro requiere 110 lbs. de carbono.
2. Asegúrese de usar ropa adecuada, tales como gafas, guantes, batas, mascarilla contra el polvo, etc., para proteger los ojos y la piel.
3. Apague el interruptor de la **bomba del filtro**.
4. Retire la tapa del tanque de filtro deseado y drene el agua.
5. Use una aspiradora para eliminar los medios del filtro.
6. Asegúrese de que el conjunto lateral permanece centrado y a ras en el fondo del tanque y las capas están al mismo nivel cuando se vierte los medios al tanque de filtro.
7. Vuelva a montar la sección de dispersión del tanque del filtro y vuelva a colocar la tapa.
8. Encienda el interruptor de la bomba del filtro. NO retrolava del filtro de pulido hasta que la unidad ha estado en funcionamiento durante 24 horas.
9. Eliminar los medios utilizados de acuerdo con las normas EPA.

MANTENIMIENTO

PRUEBA DE AGUA:

La composición química del agua debe ser probado en una base semanal. Con el funcionamiento de **la bomba de filtro**, utilice una tira de prueba, pruebe el agua en el **foso del sumidero**. (Siga las instrucciones que vienen con las tiras reactivas.) Utilice el diagrama de flujo siguiente para comprobar y corregir los siguientes:

1. pH: acidez y la alcalinidad en el agua. pH bajo (ácido) hará que el agua que mira oxidada.
2. Alcalinidad: sales absorbibles en el agua. Demasiado alcalino provoca nubosidad y reduce la vida útil del filtro.
3. Dureza Calcio: El calcio en el agua. El exceso de calcio crea la acumulación de sarro en las bobinas de lavadoras a presión de agua caliente.
4. *Libre de Cloro: El cloro que no se combina con la suciedad, aceites, etc. Controla el olor, las bacterias y la formación de algas.
* Si se utiliza cloro como agente de purificación de agua.



EL INVIERNO:

Si debe almacenar la unidad en una zona donde la temperatura puede caer por debajo de 32 ° F / 0 ° C, puede proteger su sistema de tratamiento de reciclado de agua al drenar toda el agua del sistema.

1. Gire todos los interruptores del **panel de control** a la posición OFF y desconecte la alimentación al **panel de control**.
2. Abra la válvula de retención cerca del **foso del sumidero** y drene la línea de transporte de agua. Drenar la **bomba del filtro**.
3. Abra la válvula de retención en la entrada y drene la línea de entrada.
4. Retire el tapón de drenaje del **filtro de pulido** y aflojar la tapa en cada filtro. Rompa las uniones de cada lado.
5. Afloje los sindicatos y la tapa de **filtro de cartucho** para permitir que drenen.
6. Retire el tapón de drenaje de la **bomba de filtro**.
7. Retire el tapón de drenaje de la **bomba de transferencia**.
8. Abra **válvulas de salida** y la unión por el tanque de presión y permite que drene.
9. Retire las **sondas de sensores de pH y ORP** y coloque en sus envases originales llenas de agua desionizada. Almacene a temperatura ambiente.
10. Guarde todos los productos químicos a temperatura ambiente.

SOLUCIÓN DE PROBLEMAS

SÍNTOMA	CAUSA PROBABLE	REMEDIO
BOMBA DE FILTRO		
Bomba de Filtro no funciona.	Los flotadores no están correctamente ajustados en el foso de sumidero .	Reajuste.
	No hay agua suficiente en el Foso de Sumidero .	Añada agua al Foso de Sumidero .
	Flotante 1 es defectivo.	Reemplace.
	Flotante Alto del Foso de Sumidero en el Tanque de Producto ha volteado hacia arriba.	Reduzca la velocidad de flujo con la válvula de control de entrada. Retire las obstrucciones de línea de recirculación .
	Circuito de sobrecarga / interruptor ha disparado.	Restablezca el interruptor automático o cambie el fusible en la fuente de alimentación.
	Motor sobrecargado.	Deje que el motor se enfríe. El motor se reiniciará automáticamente cuando se enfríe.
El motor de la Bomba de filtro arranca y detiene con frecuencia.	Motor es defectivo.	Reemplace la bomba.
	Esto es una ocurrencia común en la primera puesta en marcha, mientras que los hoyos están llenando.	Permite que los hoyos llenen.
	Flujo excesivo de agua para recuperar la unidad.	Gire la válvula hacia la derecha para reducir el flujo.
	Impulsor de la bomba de filtro está obstruido.	Desconecte la alimentación y destape el impulsor.
	Motor sobrecargado.	Deje que el motor se enfríe. El motor se reiniciará automáticamente cuando se enfríe.
	Foso del sumidero no es lo suficientemente grande.	Amplie el tamaño del foso.
La bomba del filtro funciona, pero hay poca o ninguna descarga de agua.	La canasta del filtro en la bomba del filtro está obstruido.	Limpie, repare, o reemplace.
	El nivel de agua está por debajo de la entrada de la bomba.	Garantice que Flotante 1 no se detecta en la fontanería.
	Hay una bolsa de aire en la Bomba de Filtro .	Llene manualmente el tubo de entrada de agua.
	Voltaje bajo.	Asegúrese de tamaño de cable es capaz de manejar el amperaje nominal de la unidad. Si el tamaño del cable es correcta, póngase en contacto con su distribuidor.
Bomba de Filtro no se apagará.	Impulsor obstruido o piezas de la bomba desgastadas.	Póngase en contacto con su distribuidor.
	Interruptor defectivo adentro de Flotante 1.	Reemplace
	La bomba de aire está bloqueado.	Ciclo de la bomba en incrementos de un minuto varias veces para purgar el aire de la bomba.

SOLUCIÓN DE PROBLEMAS

SYMPTON	PROBABLY CAUSE	REMEDY
ELÉCTRICO		
Ninguna energía al Panel de Control .	Fallo de alimentación al Panel de Control .	Verifique el disyuntor en la fuente de alimentación o póngase en contacto con su distribuidor local.
Luz indicadora de encendido está apagado.	Los fusibles fundidos dentro de Panel de Control .	Compruebe los fusibles, sustituya si es necesario. Si los fusibles están bien, póngase en contacto con su distribuidor.
SELLOS DE EJE		
Sale agua en las bombas.	Dañado sello del eje estacionario.	Sello se secó. Garantice la cámara de sellado se llena de líquido.
Vida corta de sello.	Temperatura inesperado y uso de productos químicos.	Reemplace con sello de alta resistencia.
BOMBA DE TRANSFERENCIA		
Bomba de Transferencia funciona pero hay descarga baja de agua.	El agua se utiliza en otros lugares.	Reduzca el flujo a otra fuente o póngase en contacto con su distribuidor local.
	Flotante Bajo de Bomba de Transferencia no funciona.	Compruebe On/Off con voltímetro. Repare o reemplace.
	Fontanería es obstruida o demasiado pequeño.	Quite la obstrucción o use fontanería más grande.
Bomba de Transferencia cicla excesivamente.	Válvula (s) de solenoide está abierta o pegado abierto.	Arregle la válvula (s) de solenoid o reduzca el flujo.
	La bomba succione aire.	Elimine las fugas y apriete todas las conexiones en la línea de aspiración.
	Fracaso de la vejiga en el Tanque de Presión .	Reemplace el Tanque de Presión .
	Fallo del Interruptor de Presión.	Ajuste las configuraciones de presión.
	Demasiado bajo de presión en el Tanque de Presión .	Aumente la presión.
Bomba de Transferencia no apaga.	Espere diez minutos cuando se está descargando el agua.	Operación Normal.
	Línea de interruptor de presión está obstruido.	Desconecte la línea y quite la obstrucción. Reemplace.
	Contactos del interruptor de presión se congelan.	Reemplace si es necesario.
	Impulsor está obstruido.	Póngase en contacto con su distribuidor local.
SOLENOIDES		
La válvula de solenoid no se aranca.	Baja o no presión de agua.	Cierre el agua, cambie entre las válvulas solenoides. Abra el agua. Si el problema se corrige, cambie el solenoide defectuoso.
	No hay contacto eléctrico al solenoid.	Póngase en contacto con el distribuidor local.

SOLUCIÓN DE PROBLEMAS

SYMPTON	PROBABLY CAUSE	REMEDY
La válvula de solenoid gotea cuando está apagada.	El solenoide está obstruído.	Cierre el agua, quite y limpie el solenoide.
	Solenoid dañado.	Reemplace.
	La junta tórica del solenoide está desalineado o dañado.	Reordene y reemplace.
	Asiento del diafragma está sucio.	Limpie o reemplace.
	Diafragma está dañada.	Reemplace.
OLOR		
Olor excesivo en el sistema de agua.	No hay suficientes productos químicos en el sistema para mantener el equilibrio hídrico.	Añada o ajuste las opciones de pH, ORP, o ozono.
PRODUCTOS QUÍMICOS		
Uso excesivo de productos químicos.	Medidores de pH y ORP están calibrados de forma incorrecta o hay sondas defectuosas.	Recalibre los medidores o cambie las sondas.
El uso bajo de productos químicos (con posibilidad de olor).	Bombas químicas no están funcionando.	Reemplace la manguera química adentro de la bomba. Recalibre los medidores de pH y ORP .
FLUJO DE AGUA		
Aire tira de Salida de Agua.	Esto es una ocurrencia común, mientras la bomba está cebando.	Aire detendrá tirando de la salida de agua cuando la bomba está cebada.
	La Bomba de Transferencia succione aire a la entrada de succión.	Elimine las fugas o apriete la conexión.
El agua no se apaga.	Fracaso de solenoide.	Repáre o reemplace.
No agua al tanque de producto.	Bomba de Filtro está apagada.	Vea instrucciones para solucionar problemas de la bomba del filtro.
	Filtros están obstruídos.	Limpie, reemplace, o retrolave los filtros.
Medidores de pH/ORP		
Bomba de pH no está en funcionamiento cuando la luz alta en el medidor de pH está encendido.	Lectura de Medidor pH o ORP no es numérico.	Gire el interruptor de Medidores pH/ORP a la posición OFF para 5 segundos y luego a la posición ON otra vez.
	Eje de la Bomba está atascada.	Gire el eje de la bomba con los dedos para aflojar el eje.
Los Medidores de pH/ORP no se encienden.	El Interruptor Auxilio está en la posición OFF.	Gire a la posición ON.
	Bomba de Filtro está apagado.	Vea las instrucciones para solucionar problemas de la Bomba de Filtro .



DECLARACIÓN DE GARANTÍA

El fabricante garantiza que todas las partes (excepto los mencionados a continuación) de su nuevo sistema de reciclaje de agua WLP El tratamiento está libre de defectos en materiales y mano de obra durante los periodos siguientes:

Durante un (1) año a partir de la fecha de compra original:

Las piezas defectuosas que no están sujetas a desgaste normal por el uso serán reparadas o reemplazadas a opción del fabricante durante el período de garantía. En cualquier caso, el reembolso se limita al precio de compra pagado.

EXCLUSIONES

1. El motor está cubierto por la garantía separada proporcionada por el fabricante respectivo y está sujeto a los términos establecidos en el mismo.
2. Partes de Desgaste normal:

Sellos	filtros	juntas
Juntas tóricas	embalajes	cepillos
Media filtrante	sensores	
3. Las partes dañadas debido a:
 - normal desgaste, mal uso, modificaciones / alteraciones, abuso,
 - operación a velocidades afuera de las recomendadas, presión o temperatura,
 - el uso de líquidos cáusticos,
 - corrosión cloruro o deterioro químico,
 - fluctuaciones en el suministro eléctrico o de agua,
 - la diversificación unidad en un ambiente abrasivo, corrosivo o congelación.
4. Las partes dañadas por no seguir los recomendados:
 - procedimientos de instalación, operación y mantenimiento.
5. Esta garantía no cubre el costo de:
 - mantenimiento o ajustes normales,
 - cargos laborales,
 - cargos transportales a Centro de Servicio,
 - daños en el transporte.
6. El uso de otras piezas no genuinas fabricante anulará la garantía. Las piezas devueltas, con franqueo pagado a la planta del fabricante o/a un centro de servicio autorizado serán inspeccionados y reemplazados de forma gratuita en caso de ser defectuoso y sujetos a garantía. No hay garantía que se extienda más allá de la descripción del anverso del presente documento. Bajo ninguna circunstancia se hará cargo de ninguna responsabilidad por la pérdida de uso de la unidad, la pérdida de tiempo, inconvenientes, pérdida comercial o daños consecuentes con el fabricante.

Manufactured by Mi-T-M
50 Mi-T-M Drive, Peosta IA 52068
563-556-7484/ Fax 563-556-1235