



PARTS LIST FOR
WTP-F02-1MGM
WTP-F03-1MGME
CHEMICAL PUMPS

This Parts Listing has been compiled for your benefit. You can be assured your Mi-T-M Chemical Pump was constructed and designed with quality and performance in mind. Each component has been rigorously tested to insure the highest level of acceptance.

The contents of this Parts Listing are based on the latest product information available at the time of publication. Mi-T-M reserves the right to make changes in price, color, materials, equipment, specifications or models at any time without notice.

WARNING

THIS IS A PROFESSIONAL CHEMICAL PUMP CAUTION SHOULD BE OBSERVED WHEN USING OR REPAIRING THIS UNIT! READ AND FOLLOW THE SAFETY WARNINGS LISTED BELOW BEFORE ATTEMPTING ANY REPAIRS ON THIS SEMI-TRASH PUMP!

SAFETY WARNINGS

1. NEVER alter or modify the equipment. Use only genuine Mi-T-M parts for repair. Failure to do so can cause hazardous operating conditions and will VOID warranty.
2. Be thoroughly familiar with controls.
3. Do not run pump without water inside the pump.

Table of Contents

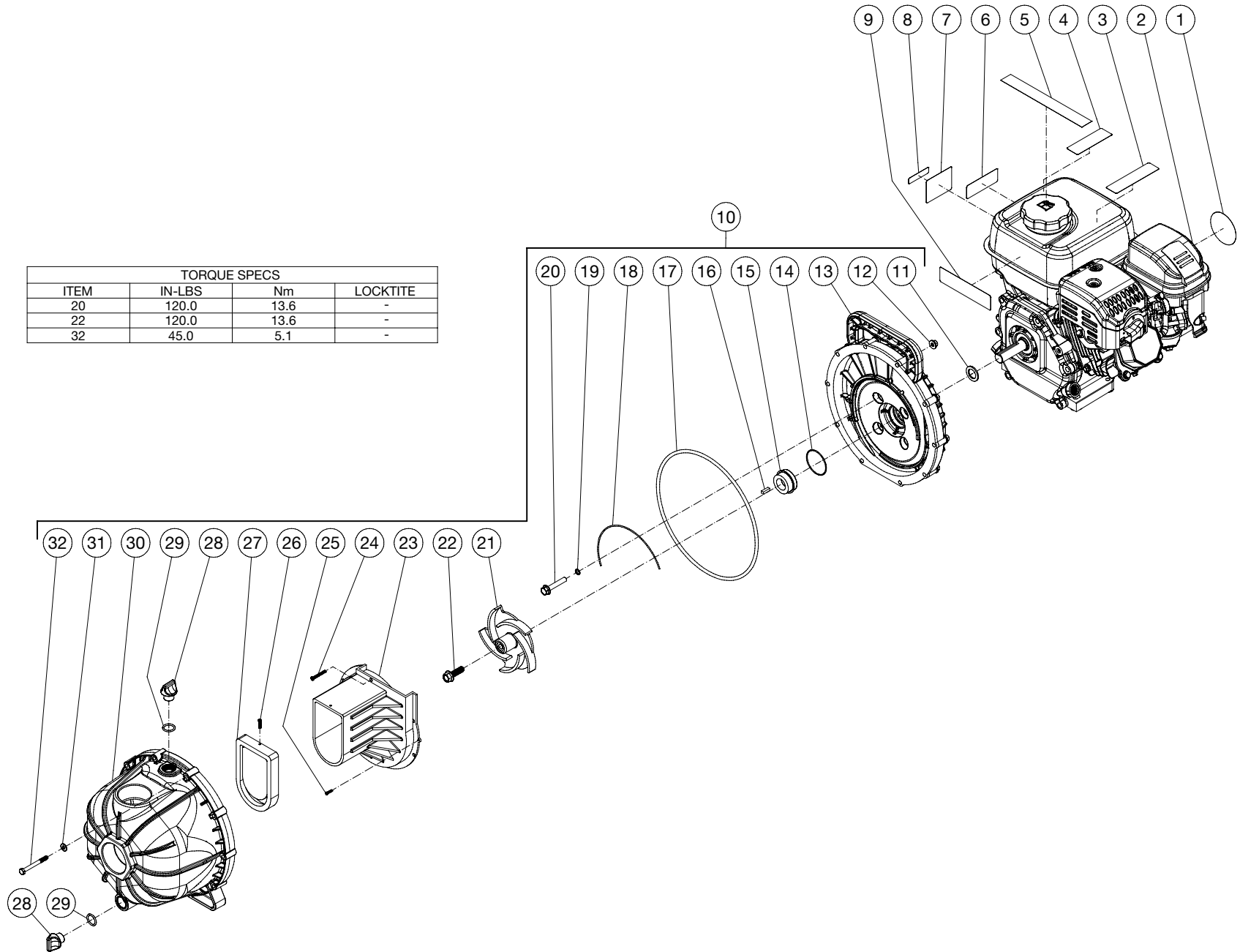
SPECIFICATIONS.....3
2" CHEMICAL PUMP.....4
3" CHEMICAL PUMP.....6

SPECIFICATIONS

MODEL NUMBER	WTP-F02-1MGM	WTP-F03-1MGME
Engine:	MI-T-M	
Model	212CC	R420E
Engine Type	4 Stroke, Overhead Valve, Single Cylinder	4 Stroke, Overhead Cam, Single Cylinder
Oil Type	SAE10W-30	
Oil Capacity (oz./liters)	20 / 0.6	37.2 / 1.1
Fuel Type	Unleaded Gasoline 86 Octane Minimum	
Fuel Capacity (gallons/liters)	0.8 / 3.1	1.7 / 6.5
Starting	Recoil	
Maximum No Load RPM	3600	3700
Pump:		
Maximum GPM	200	
Connection Diameter (in.)	2	
Suction Head (ft.)	25	
Weight:		
Net	42 lbs	93 lbs
Shipping	51 lbs	102 lbs
Dimensions:		
Basic L x W x H	19" x 16.75" x 14"	24.25" x 18" x 17.5"

2" CHEMICAL PUMP

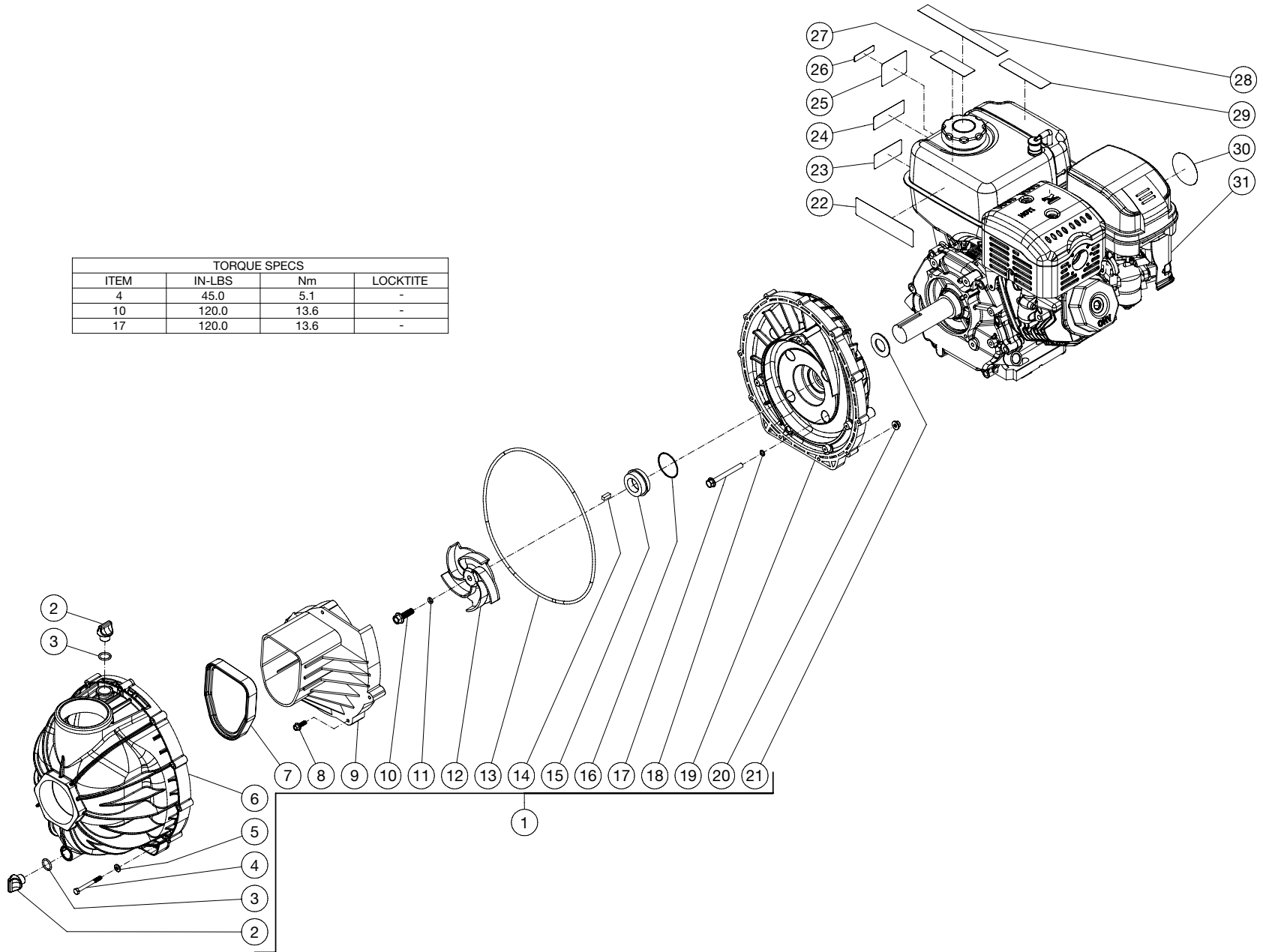
TORQUE SPECS			
ITEM	IN-LBS	Nm	LOCKTITE
20	120.0	13.6	-
22	120.0	13.6	-
32	45.0	5.1	-



WTP-F02-1MGM 022619 JVA			
2" CHEMICAL PUMP			
ITEM	DESCRIPTION	PART #	QTY
1	DECAL - REWIND 212CC (SEE 71-0315)	N/A	1
2	ENGINE	1-0221	1
3	DECAL - RISK OF BURNS (SEE 71-0315)	N/A	1
4	DECAL - RISK OF FIRE (SEE 71-0135)	N/A	1
5	DECAL - CHECK OIL	34-0816	1
6	DECAL - PROP 65 (SEE 71-0135)	N/A	1
7	DECAL	34-3783	1
8	DECAL	N/A	1
9	DECAL - CHEMICAL PUMP	34-3781	1
10	PUMP (INC. 11-32)	3-0445	1
11	RING	46-1411	1
12	HEX NUT	30-0211	10
13	BACK PLATE	46-1796	1
14	O-RING	25-0625	1
15	MECHANICAL SEAL	26-0368	1
16	KEY	43-0135	1
17	GASKET	25-0626	1
18	O-RING	26-0367	1
19	O-RING	25-0624	4
20	BOLT	27-2479	4
21	IMPELLER	46-1409	1
22	BOLT	27-2476	1
23	DIFFUSER	46-1408	1
24	SCREW	27-2477	1
25	SCREW	N/A	2
26	SCREW	27-2478	1
27	FLAPPER VALVE	46-1412	1
28	PLUG	39-0398	2
29	O-RING	25-0631	2
30	PUMP HOUSING	46-1795	1
31	WASHER	28-0067	10
32	BOLT	27-2483	10
-	DECAL SET - ENGLISH/SPANISH	71-0135	1

3" CHEMICAL PUMP

TORQUE SPECS			
ITEM	IN-LBS	Nm	LOCKTITE
4	45.0	5.1	-
10	120.0	13.6	-
17	120.0	13.6	-



WTP-F03-1MGME 022619 JVA

WTP-F03-1MGME 022619 JVA			
3" CHEMICAL PUMP			
ITEM	DESCRIPTION	PART #	QTY
1	PUMP (INC 2-21)	3-0446	1
2	PLUG	39-0398	2
3	O-RING	25-0631	2
4	BOLT	27-2483	11
5	WASHER	28-0067	11
6	PUMP HOUSING	46-1797	1
7	FLAPPER VALVE	46-1418	1
8	SCREW	27-2482	4
9	PUMP VOLUTE	46-1414	1
10	BOLT	27-2480	1
11	O-RING	25-0627	1
12	IMPELLER	46-1415	1
13	O-RING	25-0628	1
14	KEY	43-0136	1
15	MECHANICAL SEAL	26-0369	1
16	O-RING	25-0629	1
17	BOLT	27-2481	4
18	O-RING	25-0630	4
19	BACK PLATE	46-1798	1
20	HEX NUT	30-0211	11
21	RING	46-1417	1
22	DECAL - CHEMICAL PUMP	34-3782	1
23	DECAL	N/A	1
24	DECAL - PROP 65 (SEE 71-0135)	N/A	1
25	DECAL	34-3784	1
26	DECAL	N/A	1
27	DECAL - RISK OF FIRE (SEE 71-0135)	N/A	1
28	DECAL - CHECK OIL	34-0816	1
29	DECAL - RISK OF BURNS (SEE 71-0135)	N/A	1
30	DECAL - REWIND 420CC (SEE 71-0135)	N/A	1
31	ENGINE - 50 STATE	1-0216	1
-	DECAL SET - ENGLISH/FRENCH	71-0135	1

Manufactured by Mi-T-M
50 MI-TM Drive, Peosta IA 52068
563-556-7484/ Fax 563-556-1235