



PARTS LIST FOR
BIO-25R-0M10/ BIO-25R-1M10 (AFTER SERIAL #30007609)
BIO-25R-0M30/ BIO-25R-1M30
WATER TREATMENT SYSTEM

Congratulations on the purchase of your new Mi-T-M water treatment system! This parts listing has been compiled for your benefit. You can be assured your Mi-T-M water treatment system was constructed and designed with quality and performance in mind. Each component has been rigorously tested to insure the highest level of acceptance.

The contents of this parts listing are based on the latest product information available at the time of publication. Mi-T-M reserves the right to make changes in price, color, materials, equipment, specifications or models at any time without notice.

WARNING

THIS IS A PROFESSIONAL WATER TREATMENT SYSTEM. CAUTION SHOULD BE OBSERVED WHEN USING OR REPAIRING THIS UNIT! READ AND FOLLOW THE SAFETY WARNINGS LISTED BELOW BEFORE ATTEMPTING ANY REPAIRS ON THIS WATER TREATMENT SYSTEM!

SAFETY WARNINGS

1. Serious injury or death could occur if the water treatment system is not properly grounded. Your water treatment system is powered by electricity and may cause electric shock or electrocution if not installed properly. Installation to this unit, including all electrical connections, must comply with all local, state and national codes. Any electrical wiring or repairs performed on this water treatment system should be done by Authorized Service Personnel in accordance with National and Local electrical codes.
2. NEVER alter or modify the equipment. Use only genuine Mi-T-M parts for repair of your water treatment system. Failure to do so can cause hazardous operating conditions and will VOID warranty.
3. Know how to stop and bleed pressures quickly. Be thoroughly familiar with controls. Do not operate without protective cover/guards. Follow the maintenance instructions specified in your operator's manual.
4. Before servicing, ALWAYS shut off the water and the unit. Allow the unit to cool down. NEVER assume the water treatment system is safe to work on just because it is not operating. It could restart at any time! ALWAYS disconnect from the power source. Service in a clean, dry flat area.
5. Be especially careful it properly dispose of any flammable materials. Consult Materials Safety Data Sheets for safe handling of chemicals used with your system, especially oxidizers and acids.

Table of Contents

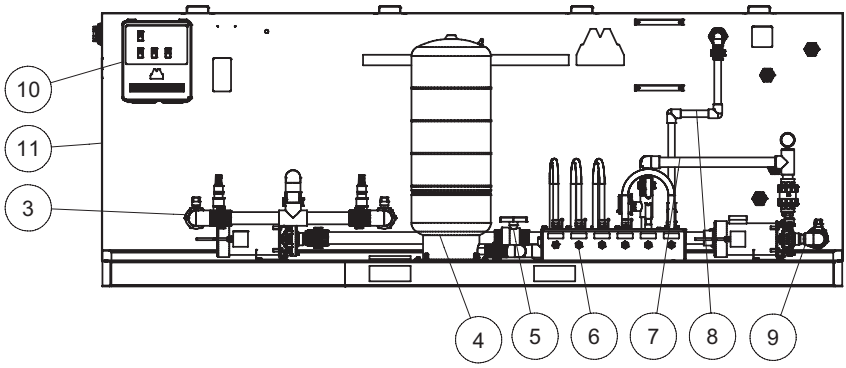
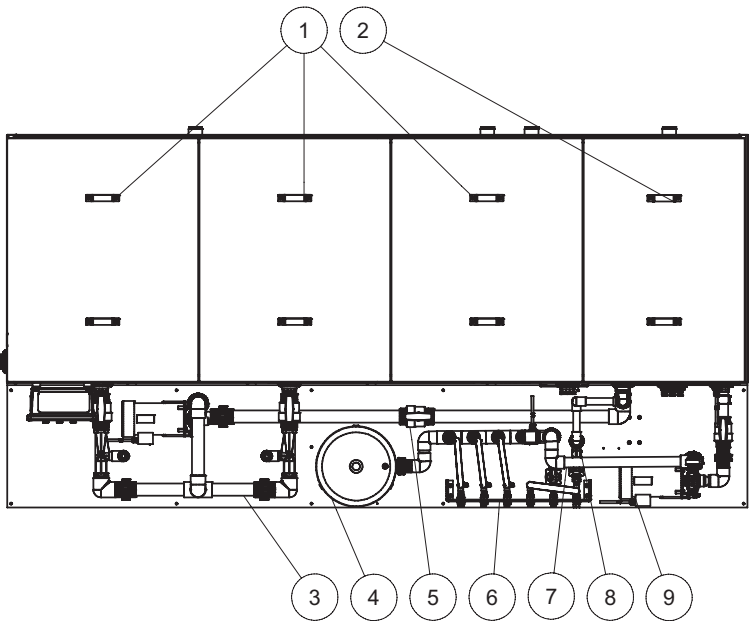
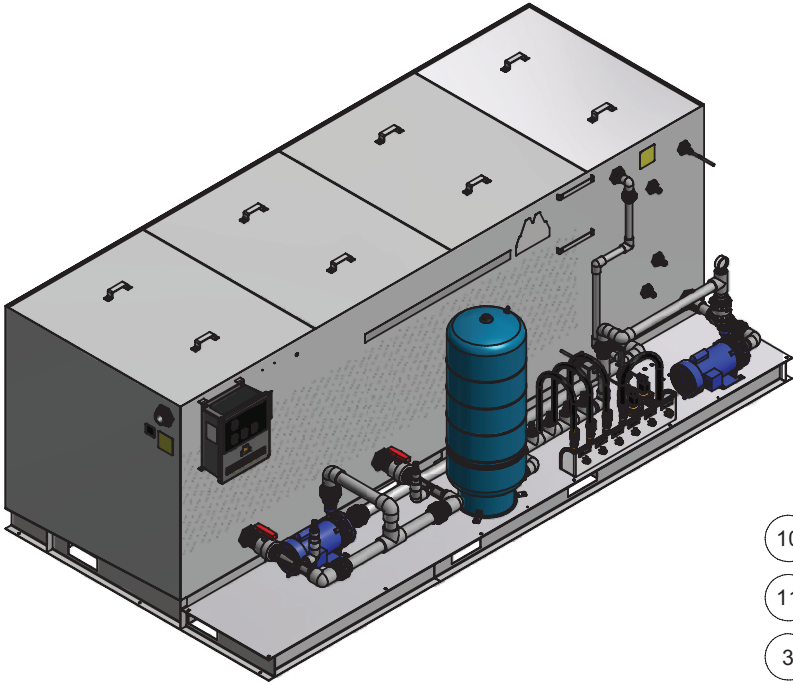
NOTES	4
NOTES	5
MAIN ASSEMBLY (AFTER SERIAL #30007609)	6
TANK ASSEMBLY (AFTER SERIAL #30007000).....	8
LARGE TANK LID ASSEMBLY	10
MEDIUM TANK LID ASSEMBLY	11
AERATION PUMP INLET (AFTER SERIAL #30007000).....	12
AERATION PUMP OULET (AFTER SERIAL #30007609).....	14
AERATION PUMP (3-0397 SINGLE PHASE) (3-0398 THREE PHASE)	16
TRANSFER PUMP ASSEMBLY (AFTER SERIAL #30007609).....	18
TRANSFER PUMP (3-0401 SINGLE PHASE) (3-0402 THREE PHASE)	20
PLUMBING: MANIFOLD (AFTER SERIAL #30007000).....	22
MANIFOLD ASSEMBLY (AFTER SERIAL #30001104).....	24
SOLINOID VALVES (22-0442).....	26
PRESSURE TANK ASSEMBLY (AFTER SERIAL #30007426)	28
PLUMBING: FRESH WATER MAKE-UP (AFTER SERIAL #30000283).....	29
SUMP PIT ASSEMBLY	30
CONTROL PANEL (SINGLE PHASE) (AFTER SERIAL #30007000)	32
CONTROL PANEL (THREE PHASE) (AFTER SERIAL #30007000)	34
TANK ASSEMBLY (AFTER SERIAL #30007000) (OZONE).....	36
AERATOR INLET PLUMBING (AFTER SERIAL #30007000) (OZONE).....	38
TRANSFER PUMP ASSEMBLY (AFTER SERIAL #30007609) (OZONE)	40
OZONE PLUMBING (AFTER SERIAL #30000283).....	42
OZONE GENERATOR (AFTER SERIAL #3007551).....	44
OZONE GENERATOR MOUNTING	46
OZONE INJECTOR PLUMBING	48
OZONE PUMP (3-0186) SINGLE PHASE	50
OZONE PUMP (3-0322) THREE PHASE	52
ELECTRICAL SCHEMATIC (SINGLE PHASE)	54
ELECTRICAL DIAGRAM (SINGLE PHASE)	55
ELECTRICAL SCHEMATIC (THREE PHASE).....	56
ELECTRICAL DIAGRAM (THREE PHASE).....	57

NOTES

DATE	SERIAL NUMBER	REASON FOR CHANGE
6/01/14	30007000	GOULD'S AERATION AND TRANSFER PUMP, REINFORCED FITTINGS, TRUE UNION CHECK VALVE
08/2015	30007426	PRESSURE TANK BASE CHANGED
03/2016	30007551	OZONE GENERATOR CHANGED FROM 32-0860 TO 31-1193
11/2016	30007609	CHANGED TRANSFER PUMPS FROM 3-0399 AND 3-0400 TO 3-0401 AND 3-0402, ALSO UPDATED MAZZEI CHECK VALVE

NOTES

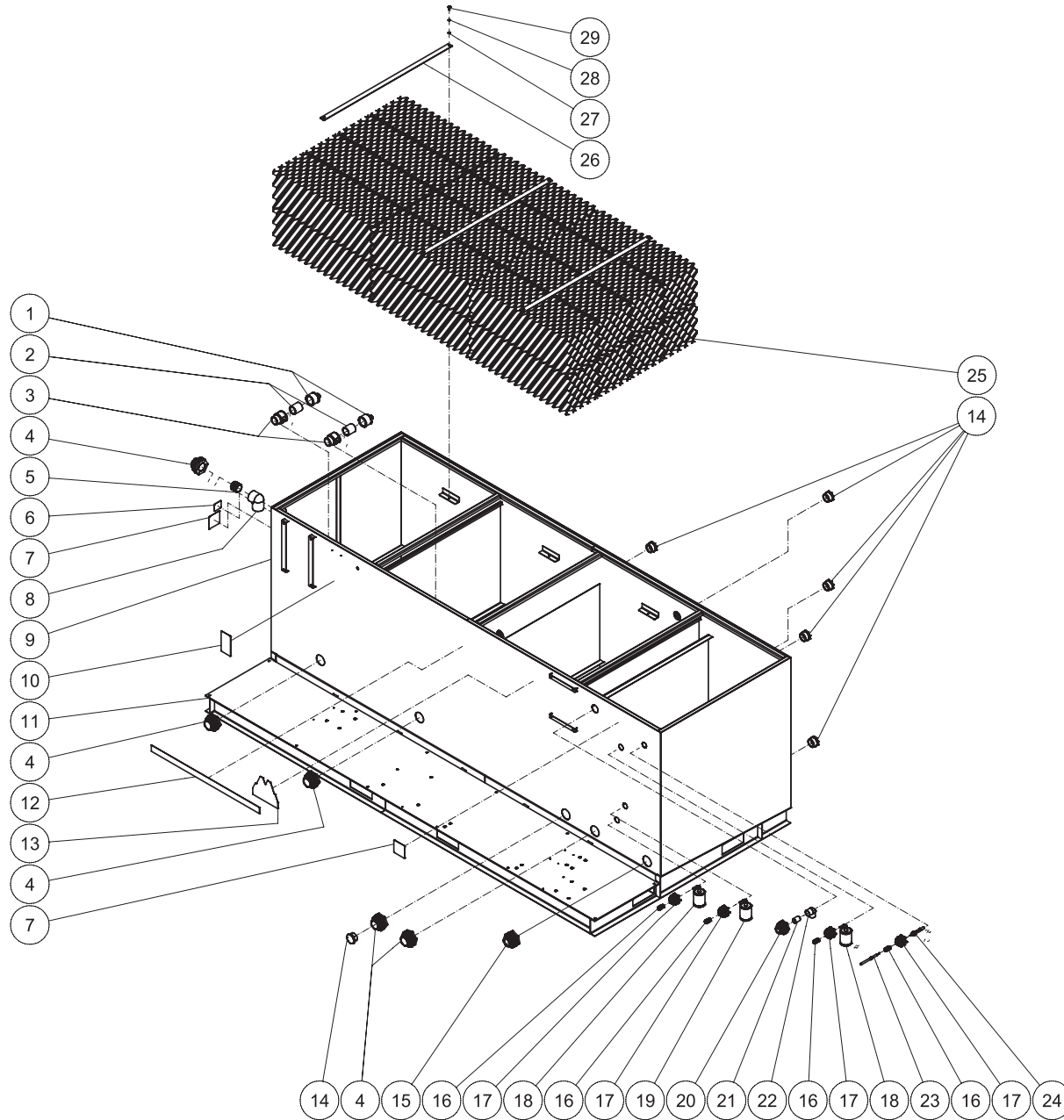
MAIN ASSEMBLY (AFTER SERIAL #30007609)



BIO-25R 102116 MLK

BIO-25R 102116 MLK			
MAIN ASSEMBLY			
ITEM	DESCRIPTION	PART #	QTY
1	LARGE LID BIO (DS) (RS)	N/A SEP.	3
2	MEDIUM LID BIO	N/A SEP.	1
3	AERATOR PLUMBING	N/A SEP.	1
4	PRESSURE TANK ASSEMBLY	N/A SEP.	1
5	AERATOR INLET PLUMBING	N/A SEP.	1
6	MANIFOLD ASSEMBLY	N/A SEP.	1
7	MANIFOLD PLUMBING	N/A SEP.	1
8	FRESH WATER MAKEUP - BIO-25R	N/A SEP.	1
9	TRANSFER PUMP ASSEMBLY	N/A SEP.	1
10	CONTROL PANEL ASSEMBLY	N/A SEP.	1
11	TANK ASSEMBLY - BIO-25R	N/A SEP.	1

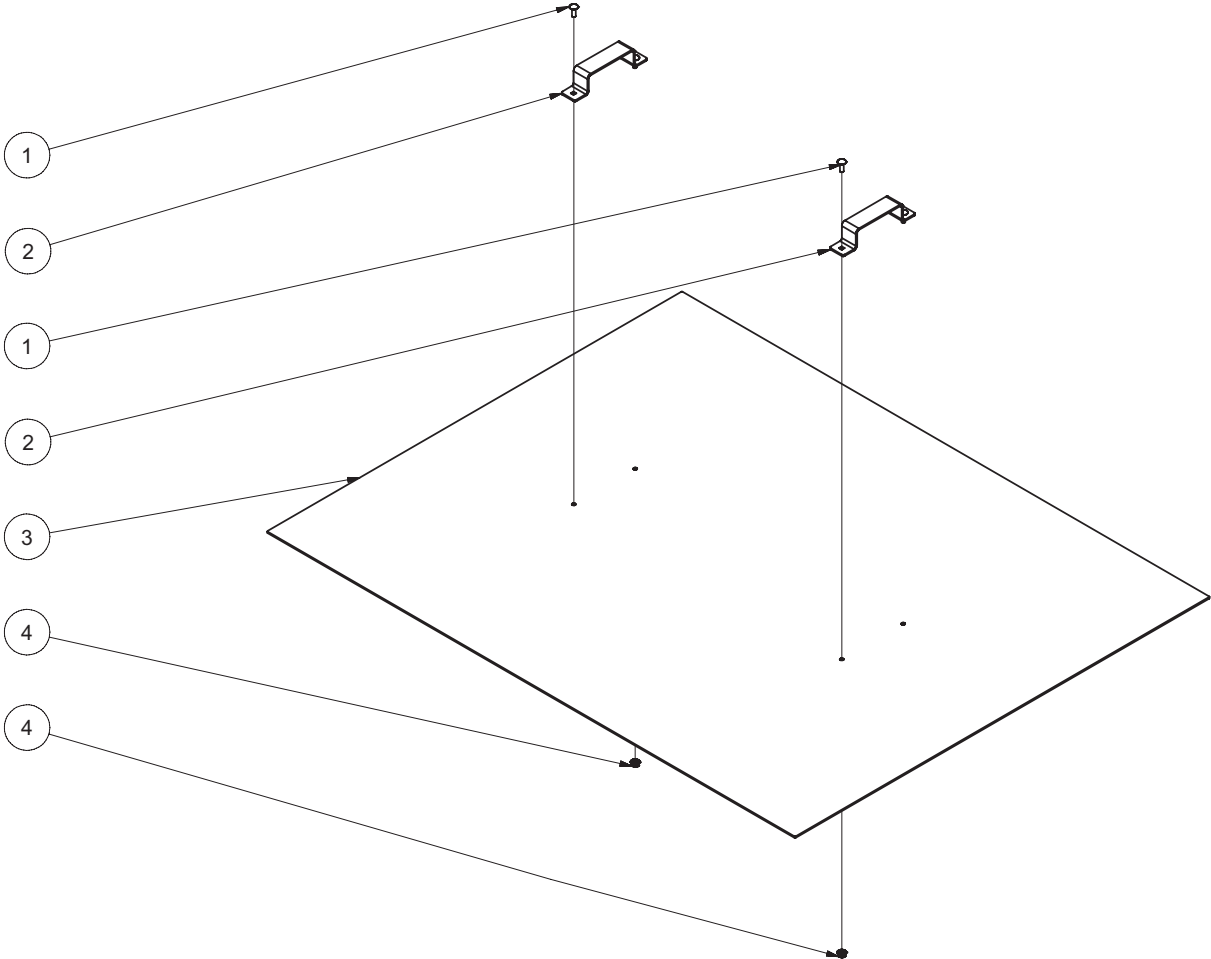
TANK ASSEMBLY (AFTER SERIAL #30007000)



TANK ASSY-BIO 25R-052914-MLK

TANK ASSEMBLY - BIO 25R 052914 MLK			
TANK ASSEMBLY			
ITEM	DESCRIPTION	PART #	QTY
1	REDUCER	55-1894	2
2	PIPE *(2" X 2 1/2")	55-1800	2
3	ADAPTER	55-1822	2
4	BULKHEAD (INC. 25-0481 GASKET)	55-1886	5
5	NIPPLE	55-1874	1
6	DECAL - INLET (SEE 71-0104)	N/A	1
7	DECAL - NONPOTABLE WATER (SEE 71-0104)	N/A	2
8	ELBOW	55-1810	1
9	BIO-25 TANK - SS (1M10 / 1M30)	12-9211	1
-	BIO-25 TANK - ALUM. (0M10 / 0M30)	12-0210	1
10	DECAL - RISK OF ELECTROCUTION (SEE 71-0104)	N/A	1
11	BASEPLATE	12-013521	1
12	DECAL Mi-T-M STRIPE	34-2282	1
13	DECAL - #5M	34-2171	1
14	PLUG	55-1840	6
15	BULKHEAD (INC. 25-0481 GASKET)	55-1686	1
16	STRAIN RELIEF	32-0437	4
17	BULKHEAD (INC. 25-0506 GASKET)	55-0886	4
18	FLOAT	32-0663	2
19	FLOAT	32-0664	1
20	BULKHEAD (INC. 25-042 GASKET)	55-1286	1
21	NIPPLE	55-1274	1
22	ELBOW	55-1210	1
23	CORD	32-0075	1
24	SWITCH	32-0533	1
25	MEDIA (STANDARD)	33-0337	24
-	VERTICAL FLOW MEDIA (WX-0121)	33-0543	24
26	STRAP - SS (1M10 / 1M30)	12-013515	3
-	STRAP - ALUM. (0M10 / 0M30)	56-0042	3
27	WASHER	28-0121	6
28	LOCKWASHER	29-1006	6
29	BOLT	27-5016	6
-	DECAL SET	71-0104	1
-	RIVET (1M10 / 1M30)	53-0004	13

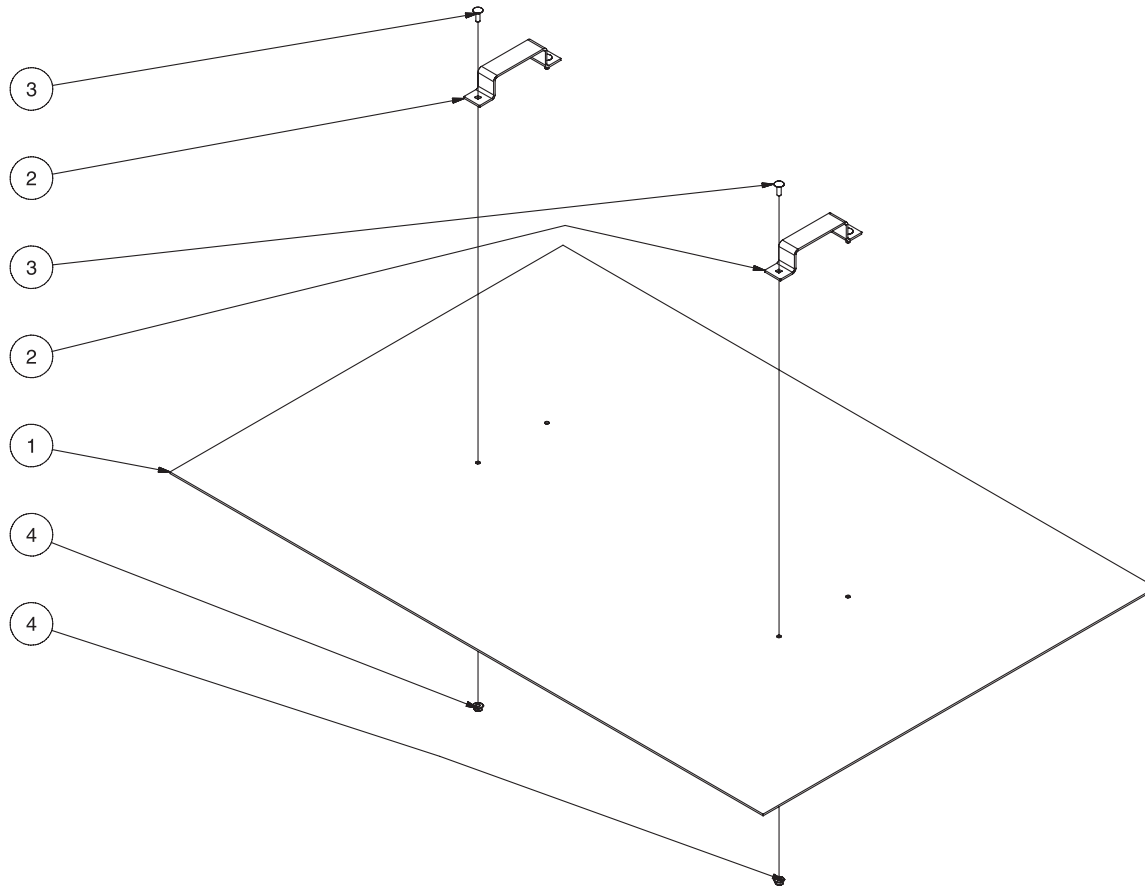
LARGE TANK LID ASSEMBLY



LARGE LID BIO ASSY-092506-PJH

LARGE LID BIO 092506 PJH			
LARGE TANK LID ASSEMBLY			
ITEM	DESCRIPTION	PART #	QTY
1	BOLT	31-5027	4
2	HANDLE	56-0040	2
3	LID	56-0043	1
4	NUT	30-5202	4

MEDIUM TANK LID ASSEMBLY

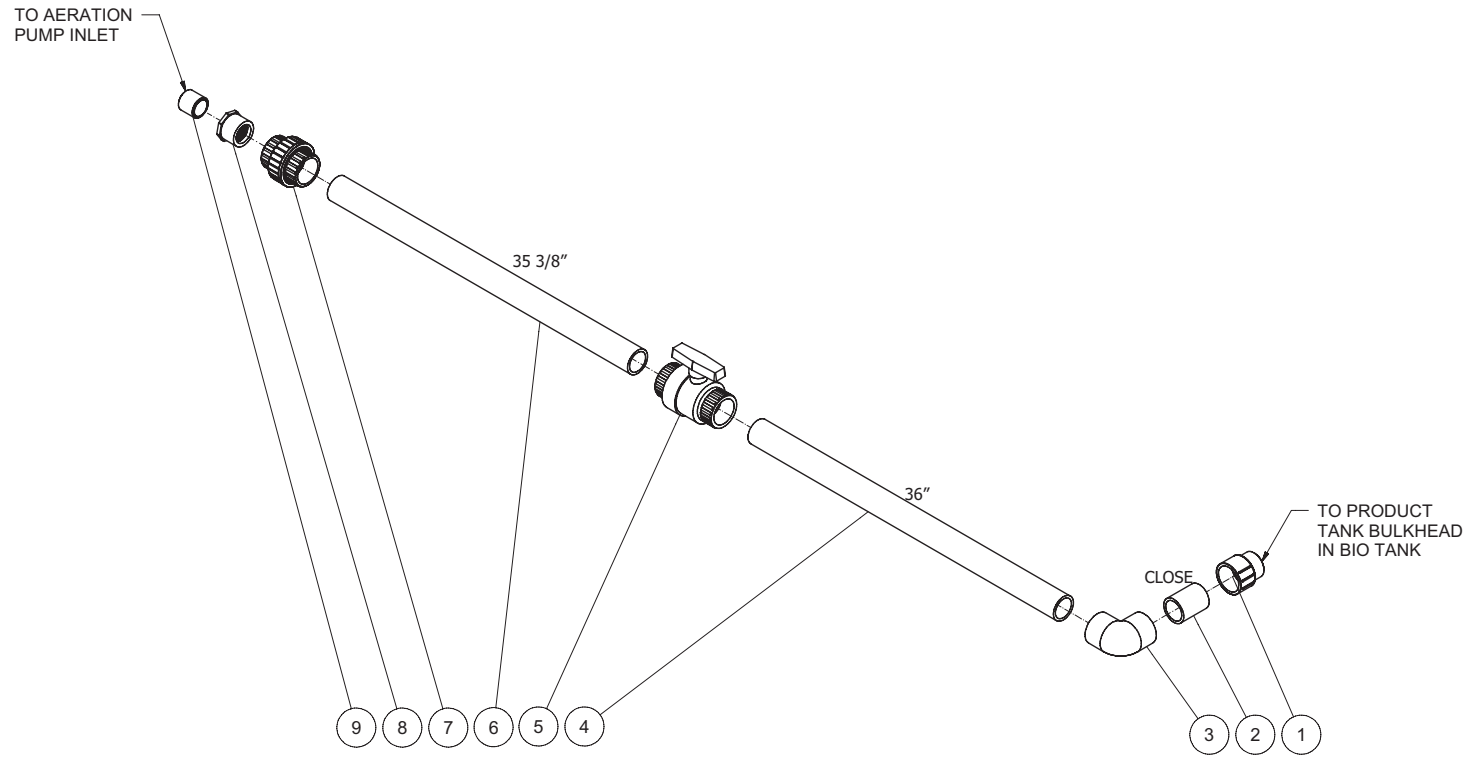


MEDIUM TANK LID-111505-ASY

MEDIUM TANK LID ASSEMBLY			
REF. #	DESCRIPTION	PART#	QTY.
1	Tank Lid	56-0044	1
2	Handle	56-0040	2
3	Bolt	31-5027	4
4	Hex Nut	30-5202	4

MEDIUM BIO LID 5' ASSY-111505-ASY

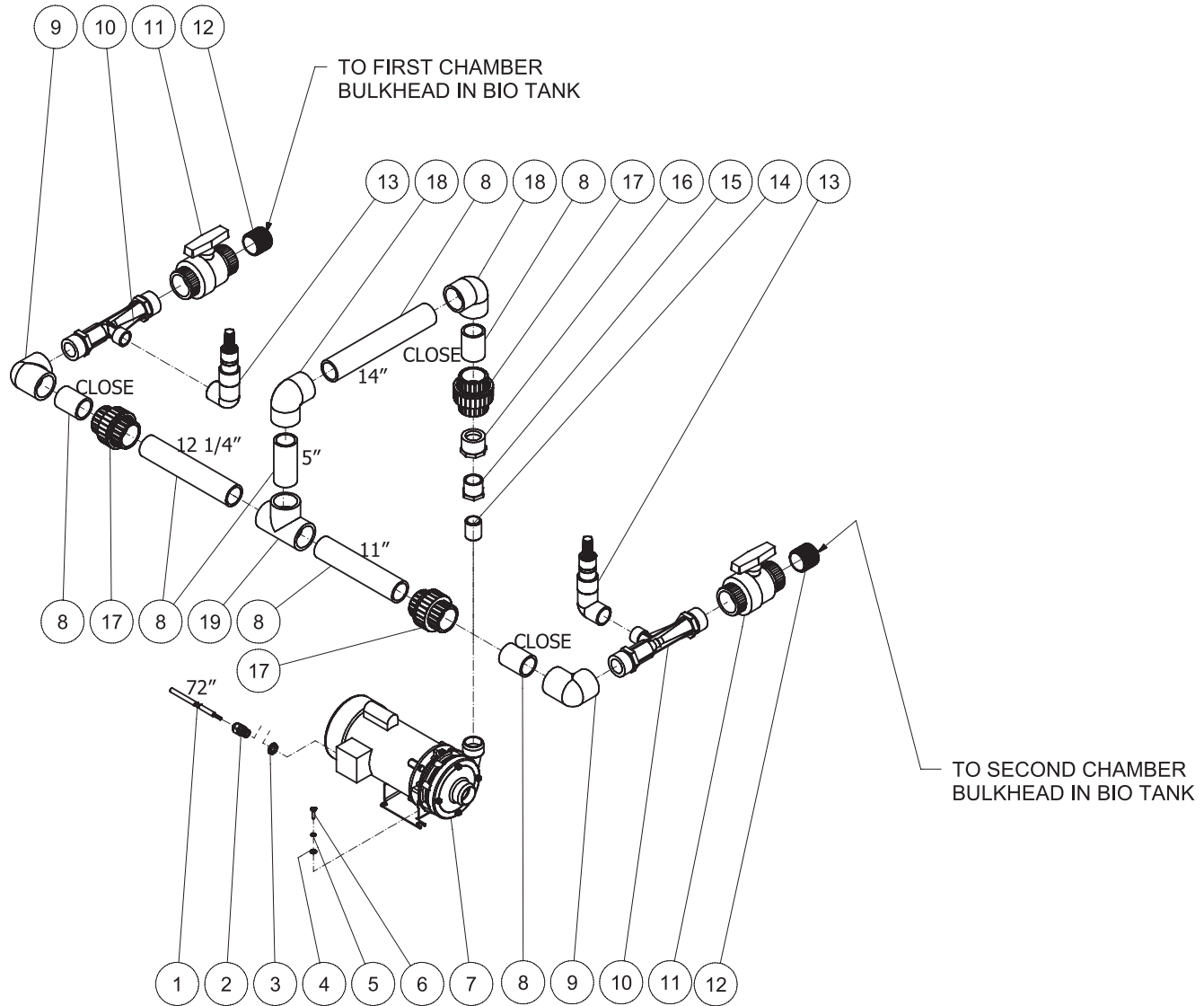
AERATION PUMP INLET (AFTER SERIAL #30007000)



AERATOR INLET PLUMBING-BIO-25R 080114 MLK

AERATOR INLET PLUMBING BIO 25R/35R 080114 MLK			
AERATOR PUMP INLET			
ITEM	DESCRIPTION	PART #	QTY
1	ADAPTER	55-1822	1
2	PIPE *(2" X 3") *(ONE FOOT REQUIRED)	55-1800	1
3	ELBOW	55-1809	1
4	PIPE *(2" X 36") *(THREE FEET REQUIRED)	55-1800	1
5	BALL VALVE	55-1855	1
6	PIPE *(2" X 35 3/8") *(THREE FEET REQUIRED)	55-1800	1
7	UNION	55-1845	1
8	REDUCER	55-1828	1
9	NIPPLE	55-1674	1
*MUST ORDER IN ONE FOOT LENGTHS			

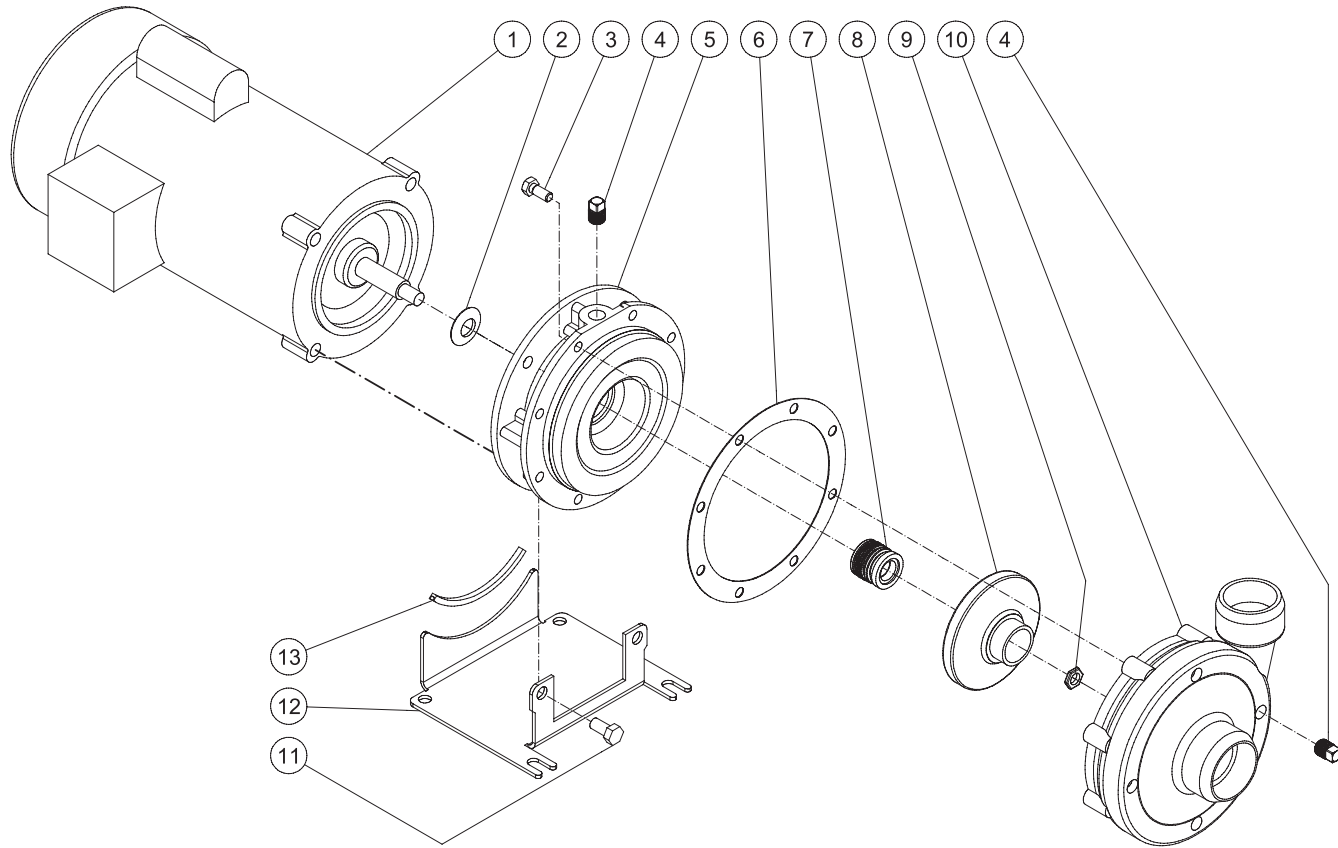
AERATION PUMP OULET (AFTER SERIAL #30007609)



AERATOR PLUMBING - BIO-25R 063016 MLK

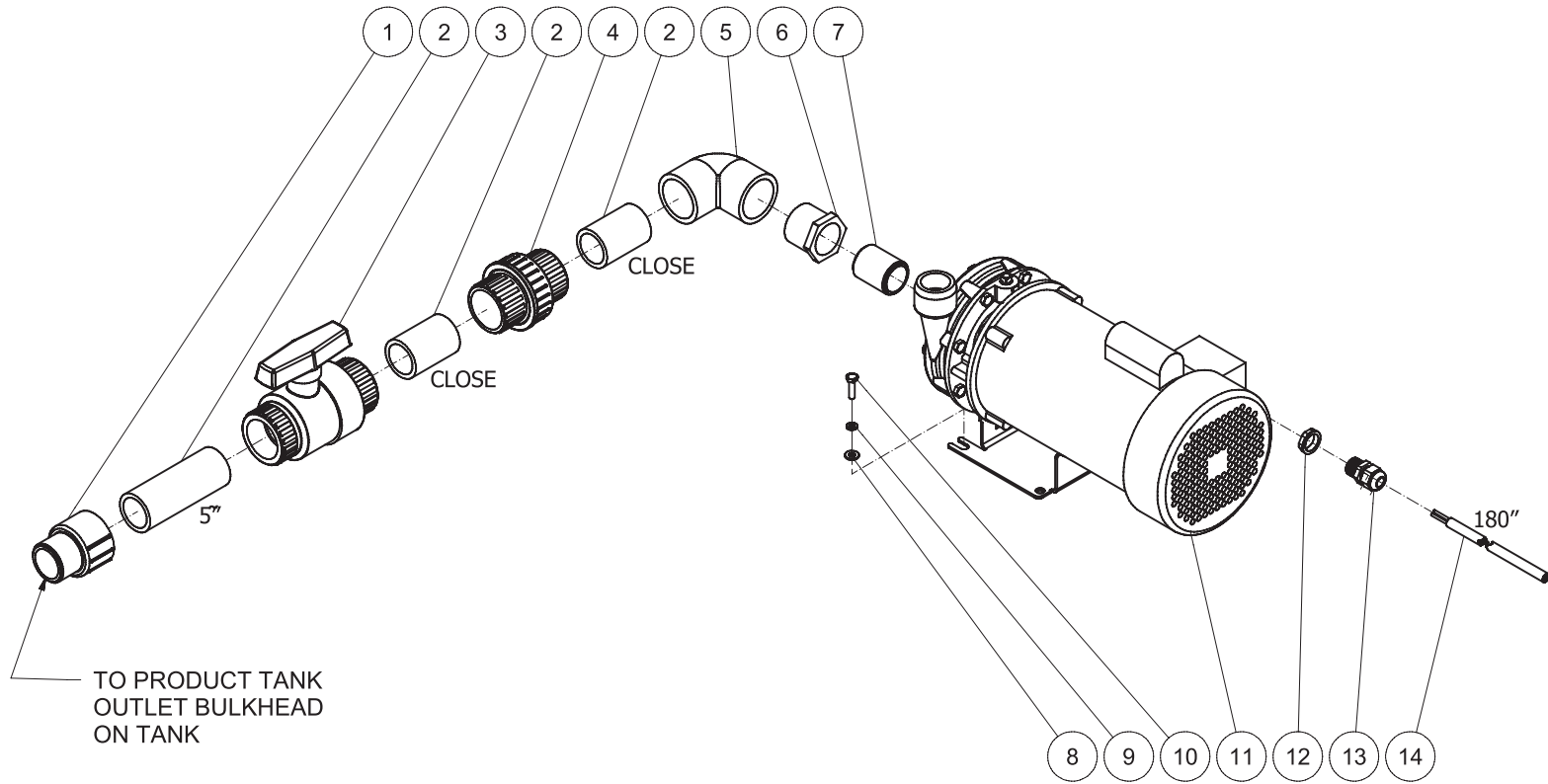
AERATION PUMP OUTLET			
ITEM	DESCRIPTION	PART #	QTY
1	CORD (SIX FEET REQUIRED) (0M10/1M10)	32-0074	1
-	CORD (SIX FEET REQUIRED) (0M30/1M30)	32-0247	1
2	STRAIN RELIEF	32-0437	1
3	ELECTRICAL LOCKNUT	32-0108	1
4	WASHER	28-0121	4
5	LOCKWASHER	29-1006	4
6	BOLT	27-8962	4
7	PUMP 1.5 HP (0M10/1M10)	3-0397	1
-	PUMP 1.5HP (0M30/1M30)	3-0398	1
8	*PIPE 2" *(FIVE FEET REQUIRED)	55-1800	1
9	ELBOW	55-1810	2
10	INJECTOR	55-0068	2
11	BALL VALVE	55-1854	2
12	NIPPLE	55-1874	2
13	CHECK VALVE - INCLUDES SCREEN (19-0292)	55-0126	2
14	NIPPLE	55-1474	1
15	REDUCER	55-1628	1
16	REDUCER BUSHING	55-1823	1
17	UNION - INCLUDES O-RING (25-0449)	55-1845	3
18	ELBOW	55-1809	2
19	TEE	55-1801	1
-	RING - #10 (NOT SHOWN)	32-0099	1
-	CRIMPED WIRE SPLICE (0M10/1M10)		4
-	CRIMPED WIRE SPLICE (0M30/1M30)		5
*MUST ORDER IN ONE FOOT LENGTHS			

AERATION PUMP (3-0397 SINGLE PHASE) (3-0398 THREE PHASE)



3-0397 022814 MLK			
AERATION PUMP			
ITEM	DESCRIPTION	Mi-T-M #	QTY
1	MOTOR	N/A	1
2	RUBBER SEAL	N/A	1
3	BOLT	27-0066	8
4	PLUG	24-0009	5
5	FRAME ADAPTOR	N/A	1
6	GASKET	26-0396	1
7	SHAFT SEAL	26-0395	1
8	IMPELLER	46-1564	1
9	LOCKNUT (3 PHASE ONLY)	N/A	1
10	FRONT CASING	N/A	1
11	BOLT	27-0116	4
12	BASE	N/A	1
13	MOTOR PAD	N/A	1

TRANSFER PUMP ASSEMBLY (AFTER SERIAL #30007609)

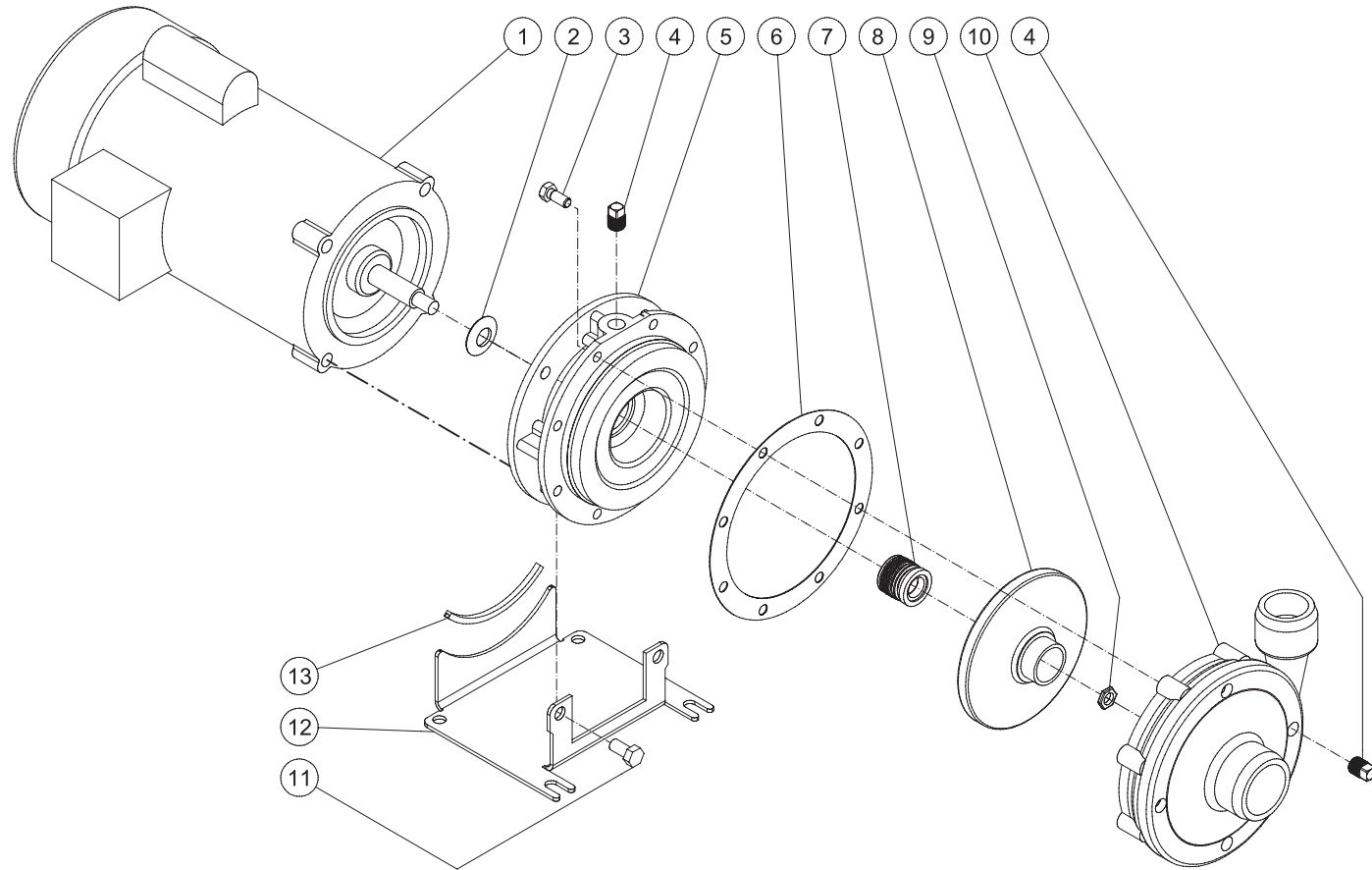


TRANSFER PUMP ASSEMBLY - BIO-25R 102116 MLK

TRANSFER PUMP ASSEMBLY - BIO-25R 102116 MLK

TRANSFER PUMP ASSEMBLY			
ITEM	DESCRIPTION	PART #	QTY
1	ADAPTER	55-1622	1
3	BALL VALVE	55-1655	1
2	*PIPE 1 1/2" *(ONE FOOT REQUIRED)	55-1600	1
4	UNION	55-1645	1
5	ELBOW	55-1609	1
6	REDUCER	55-1628	1
7	NIPPLE	55-1474	1
8	WASHER	28-0121	4
9	LOCKWASHER	29-1006	4
10	BOLT	27-8962	4
11	PUMP (0M10/1M10)	3-0401	1
-	PUMP (0M30/1M30)	3-0402	1
12	ELECTRICAL LOCKNUT	32-0108	1
13	STRAIN RELIEF	32-0437	1
14	CORD (FIFTEEN FEET REQUIRED) (0M10/1M10)	32-0074	1
-	CORD 3 PHASE (FIFTEEN FEET REQUIRED) (0M30/1M30)	32-0247	1
-	1/8" AL. SHIM FOR PUMPS (NOT SHOWN)	56-0077	1
*MUST ORDER IN ONE FOOT LENGTHS			

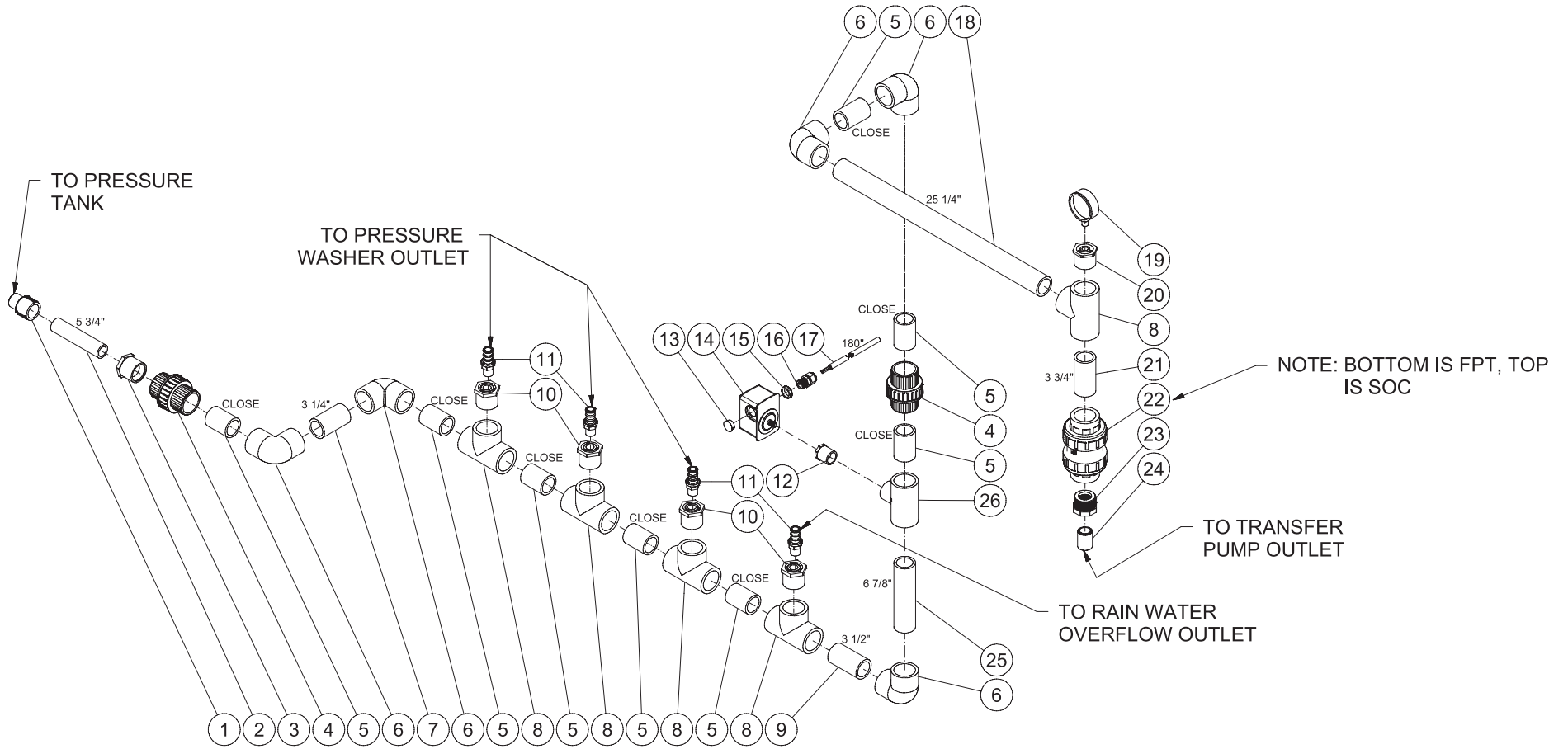
TRANSFER PUMP (3-0401 SINGLE PHASE) (3-0402 THREE PHASE)



3-0401 071514 MLK

3-0401 071514 MLK			
TRANSFER PUMP			
ITEM	DESCRIPTION	Mi-T-M #	QTY
1	MOTOR	N/A	1
2	RUBBER SEAL	N/A	1
3	BOLT	27-0066	8
4	PLUG	24-0009	5
5	FRAME ADAPTOR	N/A	1
6	GASKET	26-0396	1
7	SHAFT SEAL	26-0395	1
8	IMPELLER	46-1588	1
9	LOCKNUT (3 PHASE ONLY)	N/A	1
10	FRONT CASING	N/A	1
11	BOLT	27-0116	4
12	BASE	N/A	1
13	MOTOR PAD	N/A	1

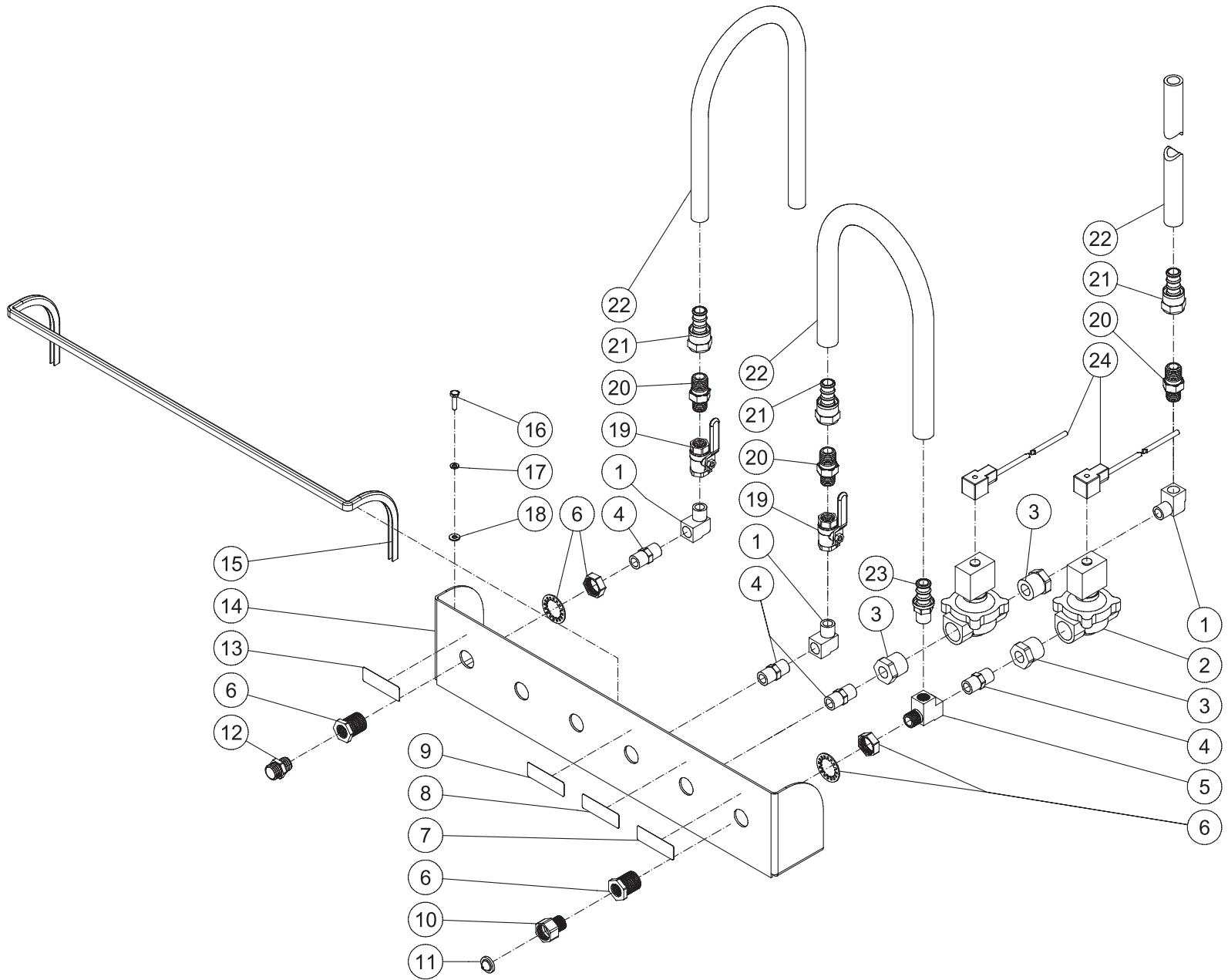
PLUMBING: MANIFOLD (AFTER SERIAL #30007000)



MANIFOLD PLUMBING - BIO-25R 051314 MLK

MANIFOLD PLUMBING BIO 25R 051314 MLK			
PLUMBING: MANIFOLD			
ITEM	DESCRIPTION	Mi-T-M #	QTY
1	ADAPTER	55-1222	1
2	PIPE *(1" X 5 3/4")	55-1200	1
3	REDUCER	55-1624	1
4	UNION	55-1645	2
5	PIPE *(1 1/2" X 2 3/4")	55-1600	8
6	ELBOW	55-1609	5
7	PIPE *(1 1/2" X 3 1/4")	55-1600	1
8	TEE	55-1601	5
9	PIPE *(1 1/2" X 3 1/2")	55-1600	1
10	REDUCER	55-1631	4
11	BARB	23-0007	4
12	REDUCER	55-1231	1
13	PLUG	39-0014	1
14	PRESSURE SWITCH	22-0304	1
15	ELECTRICAL LOCKNUT	32-0108	1
16	STRAIN RELIEF	32-0437	1
17	CORD *(FIFTEEN FEET REQUIRED)	32-0074	1
18	PIPE *(1 1/2" X 25 1/4")	55-1600	1
19	PRESSURE GAUGE	22-0305	1
20	REDUCER BUSHING	55-1632	1
21	PIPE *(1 1/2" X 3 3/4")	55-1600	1
22	BALL CHECK VALVE	55-1653	1
23	REDUCER	55-1634	1
24	NIPPLE	23-0094	1
25	PIPE *(1 1/2" X 6 7/8")	55-1600	1
26	TEE	55-1603	1
*MUST ORDER IN ONE FOOT LENGTHS			

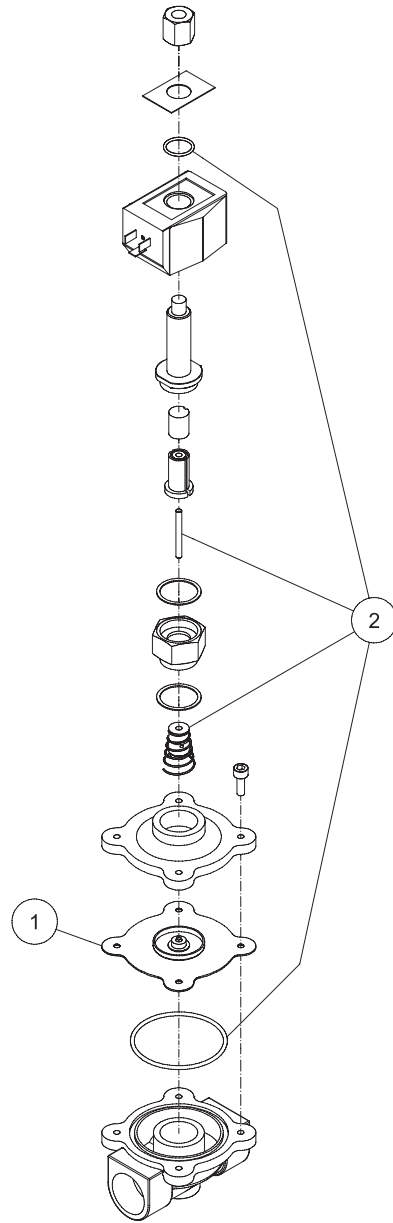
MANIFOLD ASSEMBLY (AFTER SERIAL #30001104)



MAINFOLD ASSY-091609-PJH

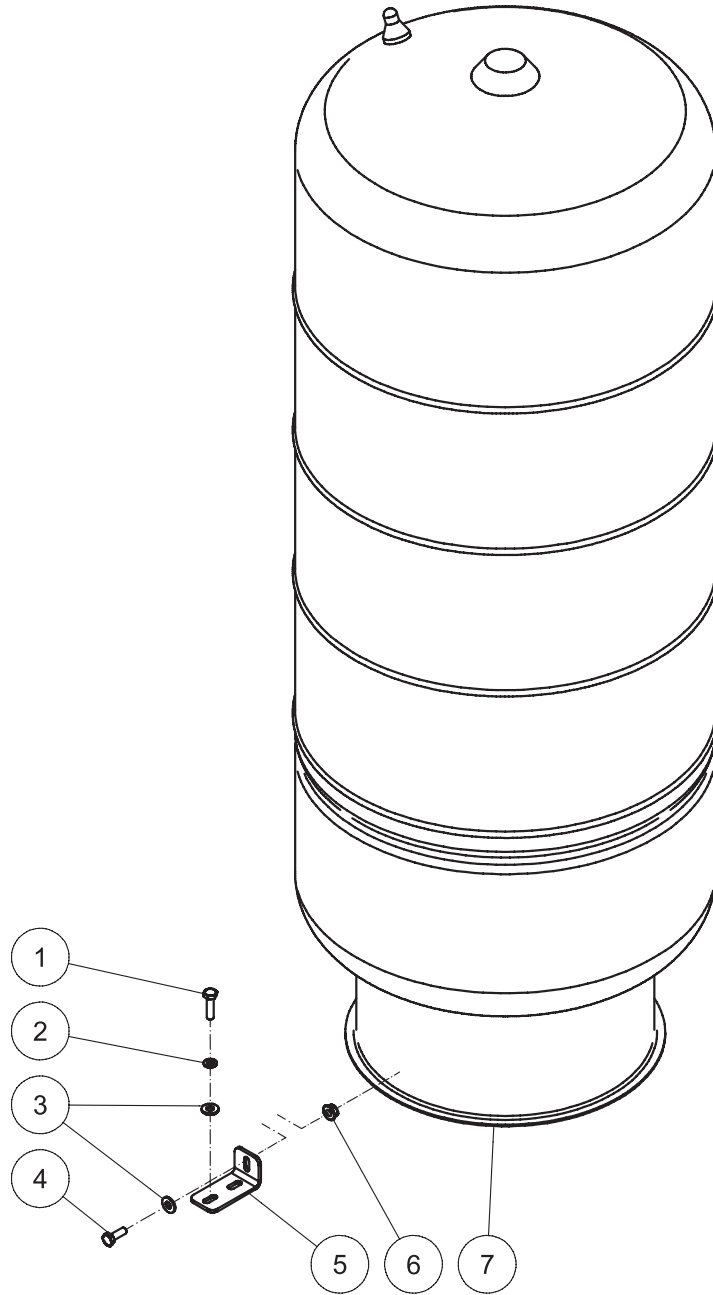
MANIFOLD ASSEMBLY 091609-PJH			
MANIFOLD ASSEMBLY (AFTER SERIAL #30001104)			
ITEM	DESCRIPTION	Mi-T-M #	QTY
1	ELBOW	23-0035	5
2	SOLENOID-NC	22-0442	2
3	REDUCER	23-0226	3
4	NIPPLE	23-0012	6
5	TEE	23-0124	1
6	ADAPTER	23-0365	6
7	DECAL	34-0879	1
8	DECAL	34-0878	1
9	DECAL - RINSE WATER OUTLET	34-0876	1
10	SWIVEL	23-0095	1
11	FILTER	19-0001	1
12	ADAPTER	23-0136	5
13	DECAL	34-0877	3
14	MANIFOLD	21-0151	1
15	EDGING (FOUR FEET REQUIRED)	33-0020	1
16	BOLT	27-8962	4
17	LOCKWASHER	29-1006	4
18	WASHER	28-0121	4
19	BALL VALVE	22-0278	4
20	NIPPLE	23-0359	5
21	HOSE BARB	23-0358	5
22	HOSE (THREE FEET REQUIRED)	15-0033	4
23	BARB	23-0007	1
24	CORDSET	32-0786	2

SOLINOID VALVES (22-0442)



22-0442 041910-PJH			
SOLENOID			
ITEM	DESCRIPTION	PART #	QTY
1	KIT - REPLACEMENT DIAPHRAGM	70-0492	1
2	KIT - REPLACEMENT O-RINGS, SPRING, & PLUNGER	70-0493	1

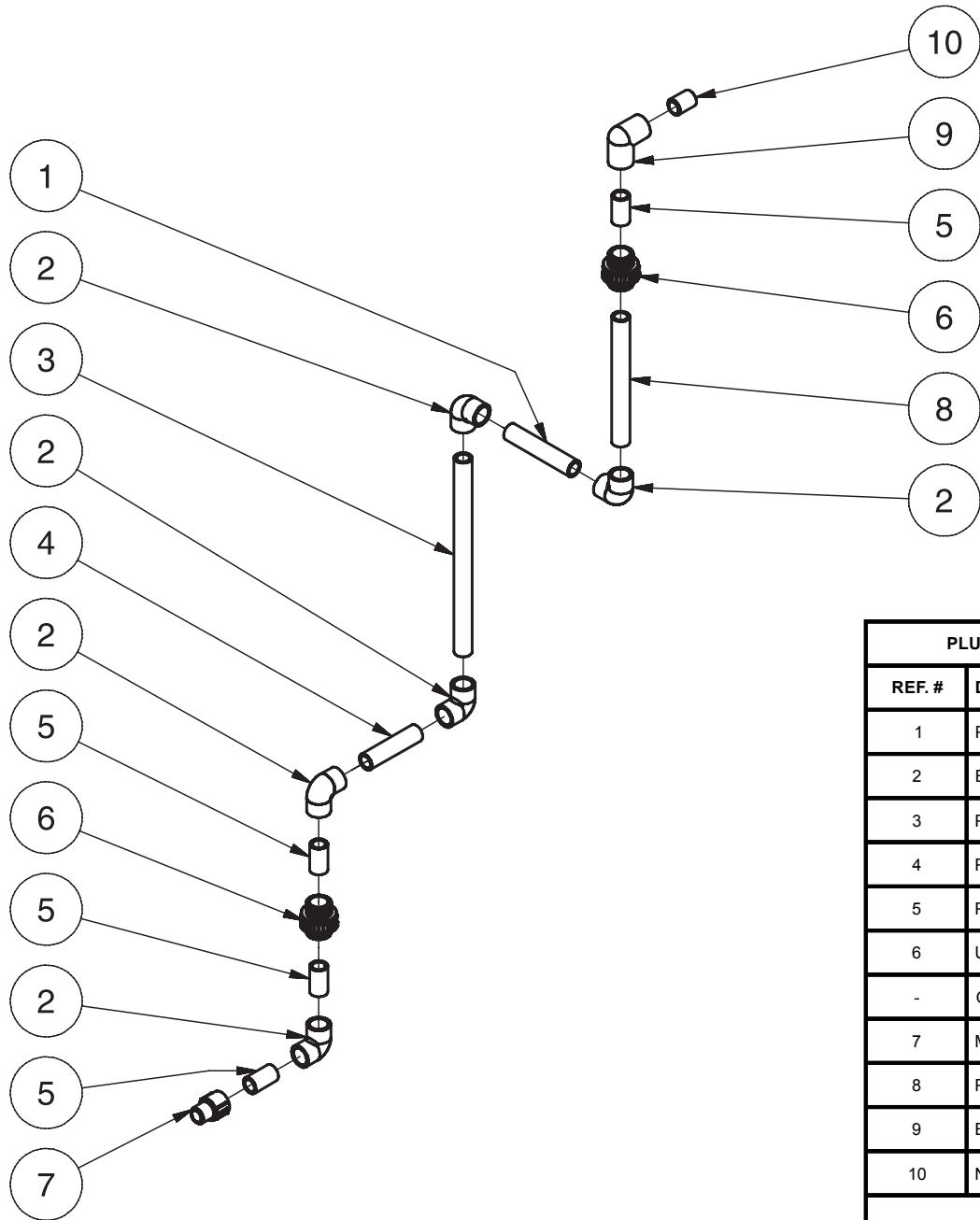
PRESSURE TANK ASSEMBLY (AFTER SERIAL #30007426)



PRESSURE TANK ASSEMBLY - 12-0092 102516 MLK			
PRESSURE TANK ASSEMBLY			
ITEM	DESCRIPTION	PART #	QTY
1	SCREW	27-8962	1
2	LOCKWASHER	29-1006	1
3	WASHER	28-0121	1
4	SCREW	27-5016	4
5	PRESSURE TANK HOLD DOWN BRACKET	21-0317	4
6	NUT	30-5202	4
7	VERTICAL PRESSURE TANK	12-0092	1

PRESSURE TANK ASSEMBLY - 12-0092 102516 MLK

PLUMBING: FRESH WATER MAKE-UP (AFTER SERIAL #30000283)

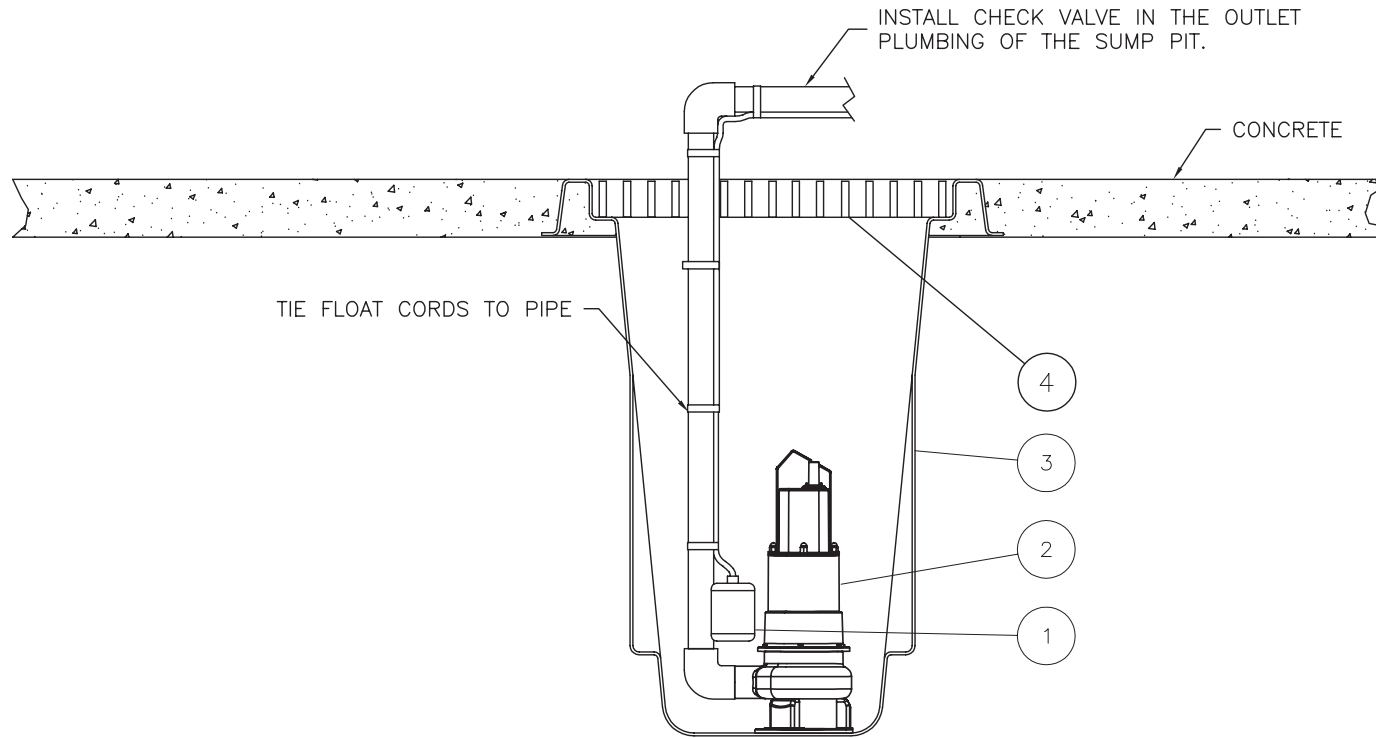


FRESH WATER MAKE-UP PLUMBING-120805-ASY

PLUMBING: FRESH WATER MAKE-UP (AFTER SERIAL #30000283)			
REF. #	DESCRIPTION	PART#	QTY.
1	Pipe *(1" x 6-1/2")	55-1200	1
2	Elbow	55-1209	5
3	Pipe *(1" x 17")	55-1200	1
4	Pipe *(1" x 5-1/8")	55-1200	1
5	Pipe *(1" x 2-1/4")	55-1200	4
6	Union (Inc. O-ring 25-0447)	55-1245	2
-	O-ring	25-0447	2
7	Male Adapter	55-1222	1
8	Pipe *(1" x 11")	55-1200	1
9	Elbow	55-1210	1
10	Nipple	55-1274	1
*Must Order in One Foot Lengths			

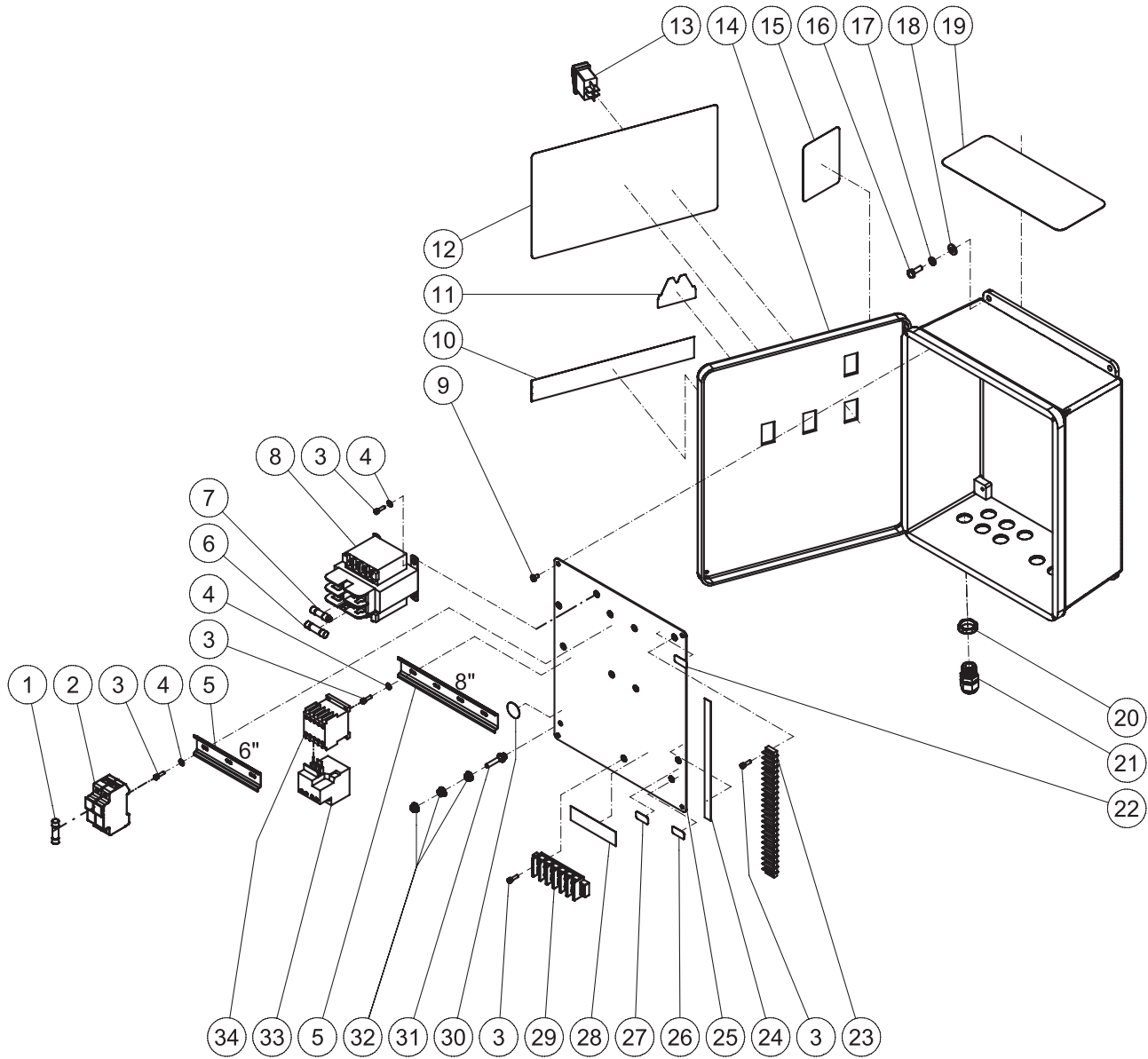
FRESH WATER MAKE-UP PLUMBING-120805-ASY

SUMP PIT ASSEMBLY



SUMP PIT ASSY-010509-PJH			
SUMP PIT ASSEMBLY			
REF. #	DESCRIPTION	PART#	QTY.
1	Float	32-0528	1
2	Pump (Single Phase 230V)	3-0216	1
-	Pump (Three Phase 208-230V)	3-0325	1
-	Pump (Three Phase 460V)	3-0326	1
3	Pit	12-0071	1
4	Medium Grate	20-0480A01	1

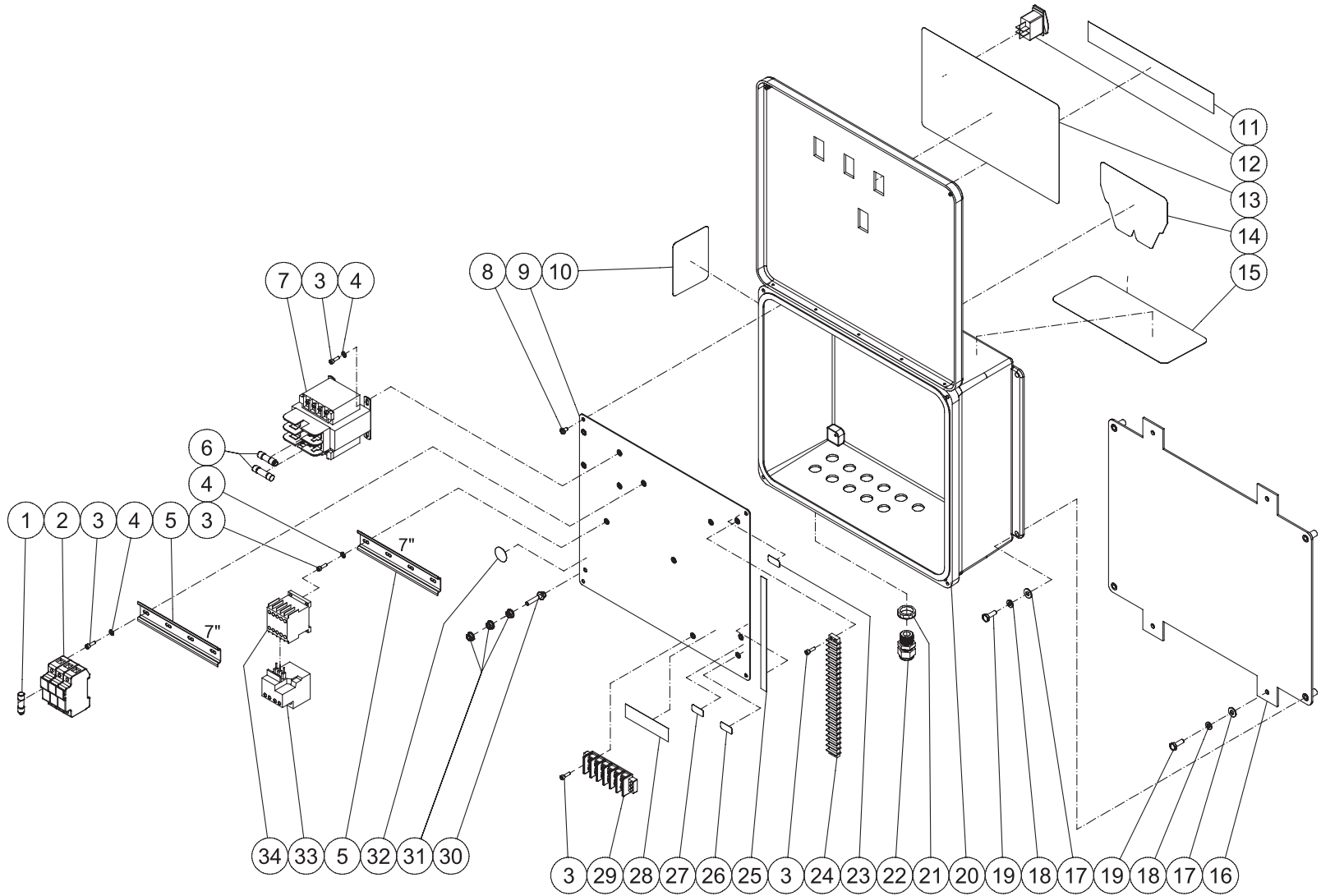
CONTROL PANEL (SINGLE PHASE) (AFTER SERIAL #30007000)



CONTROL PANEL - BIO-20R, 25R, 35R SINGLE PHASE MASTER 082814 MLK

CONTROL PANEL - BIO-20R, 25R, 35R SINGLE PHASE MASTER 082814 MLK			
CONTROL PANEL (SINGLE PHASE)			
ITEM	DESCRIPTION	PART #	QTY
1	FUSE (AERATION, TRANSFER)	32-1026	2
-	FUSE (SUMP)	32-1024	2
-	FUSE (OZONE)	32-1025	2
2	FUSE HOLDER	32-1006	3
3	SCREW	27-8835	10
4	STAR WASHER	28-1009	6
5	DIN RAIL *(TWO FEET REQUIRED)	32-0316	1
6	FUSE	32-1028	1
7	FUSE	32-0740	2
8	TRANSFORMER	32-0735	1
9	SCREW	27-8933	4
10	DECAL - 10.5" LONG STRIPE	34-2267	1
11	DECAL - Mi-T-M	34-2167	1
12	DECAL - BIO ELECTRIC BOX (SEE 71-0104)	N/A	1
13	ROCKER SWITCH	32-0669	4
14	ELECTRIC BOX	32-1030	1
15	DECAL - DATA PLATE	N/A	1
16	BOLT	27-5016	4
17	LOCKWASHER	29-1006	4
18	WASHER	28-0121	4
19	DECAL - OPERATION (SEE 71-0104)	N/A	1
20	ELECTRICAL LOCKNUT	32-0108	11
21	STRAIN RELIEF	32-0437	11
22	DECAL - 115 VOLT (SEE 71-0104)	N/A	1
23	TERMINAL STRIP	32-0463	1
24	DECAL - TERMINAL STRIP (SEE 71-0104)	N/A	1
25	ELECTRICAL PLATE	20-0520A06	1
26	DECAL - 1 PHASE (SEE 71-0104)	N/A	1
27	DECAL - 230 VOLT (SEE 71-0104)	N/A	1
28	DECAL - TERMINAL STRIP (SEE 71-0104)	N/A	1
29	TERMINAL BLOCK	32-0536	1
30	DECAL- GROUND PICTORIAL (SEE 71-0104)	N/A	1
31	BOLT	27-8898	1
32	NUT	30-3022	3
33	OVERLOAD (AERATION, TRANSFER)	32-1016	1
-	OVERLOAD (SUMP)	32-1014	1
-	OVERLOAD (OZONE)	32-1015	1
34	CONTACTOR	32-1009	3
-	DECAL SET	71-0104	1
NOTE: FOR OZONE ADD (1) 32-0669 SWITCH, (1) 32-1009 CONTACTOR, (1) 32-1006 FUSE HOLDER			
*MUST ORDER IN ONE FOOT LENGTHS			

CONTROL PANEL (THREE PHASE) (AFTER SERIAL #30007000)



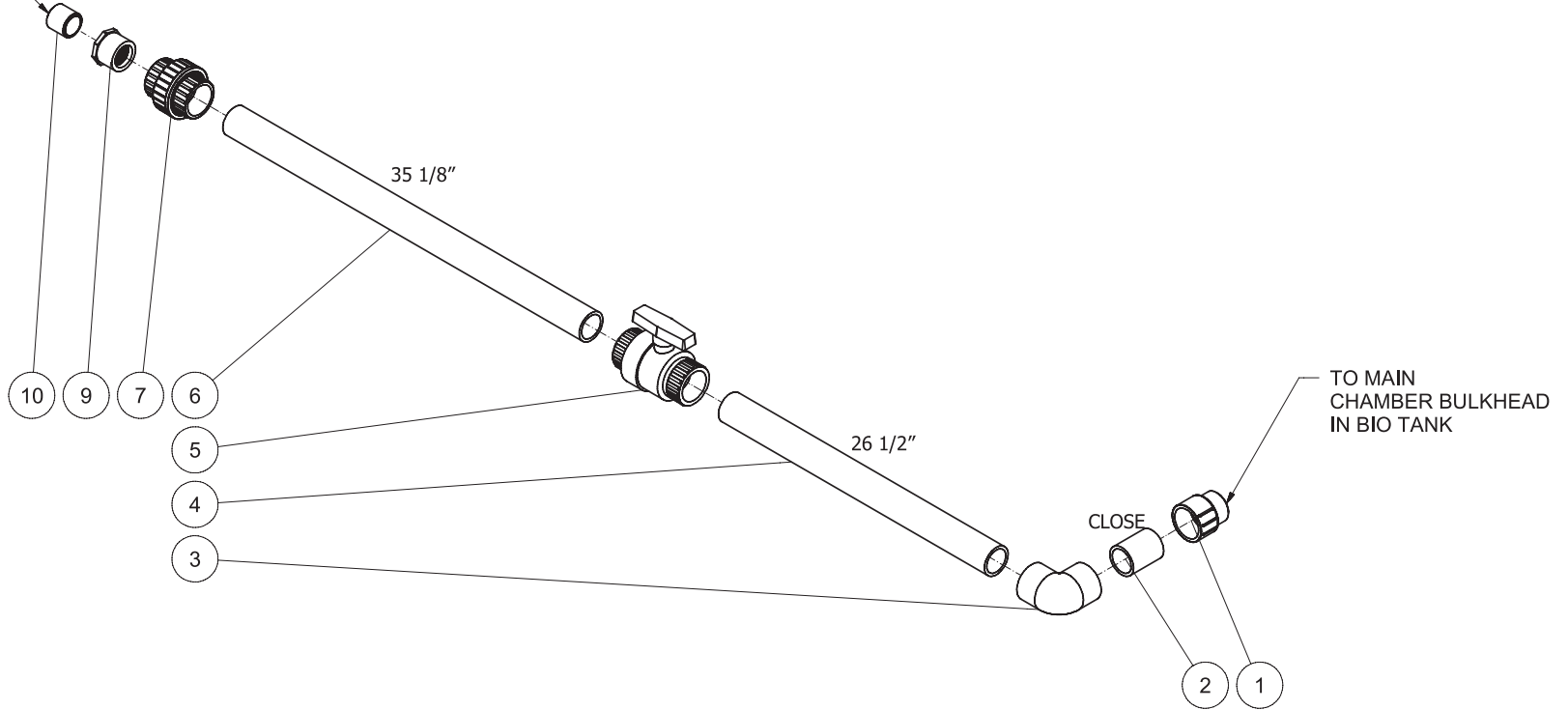
CONTROL PANEL - BIO-20R, 25R, 35R THREE PHASE MASTER 052914 MLK

CONTROL PANEL - BIO-20R, 25R, 35R THREE PHASE MASTER 052914 MLK			
CONTROL PANEL (THREE PHASE)			
ITEM	DESCRIPTION	Mi-T-M #	QTY
1	FUSE (TRANSFER-208V/230V, AERATION-208V/230V / 208V, 230V)	32-1025	3
-	FUSE (SUMP-208V/230V)	34-1024	3
-	FUSE (TRANSFER-460V, AERATION-460V, OZONE-208V/230V)	34-0470	3
-	FUSE (SUMP-460V, OZONE-460V)	32-0741	3
2	FUSE HOLDER	32-1007	3
3	SCREW	27-8835	12
4	STAR WASHER	28-1009	8
5	DIN RAIL *(ONE FOOT REQUIRED)	32-0316	1
6	TRANSFORMER FUSE (208V, 230V)	32-0740	2
	TRANSFORMER FUSE (208V, 230V, 460V)	32-1028	2
	TRANSFORMER FUSE (460V)	32-0467	2
7	TRANSFORMER	32-0735	1
8	SCREW	27-8933	4
9	ELECTRICAL PLATE	20-1065A06	1
10	DECAL - DATA PLATE	N/A	1
11	DECAL - 11" STRIPE	34-2186	1
12	ROCKER SWITCH	32-0669	4
13	DECAL - BIO ELECTRIC BOX (SEE 71-0104)	N/A	1
14	DECAL - Mi-T-M	34-2169	1
15	DECAL - OPERATION (SEE 71-0104)	N/A	1
16	MOUNTING PLATE	20-1126A01	1
17	WASHER	28-0121	8
18	LOCKWASHER	29-1006	8
19	BOLT	27-5016	8
20	ELECTRIC BOX	32-1031	1
21	ELECTRICAL LOCKNUT	32-0108	11
22	STRAIN RELIEF	32-0437	11
23	DECAL - 115 VOLT (SEE 71-0104)	N/A	1
24	TERMINAL STRIP	32-0463	1
25	DECAL - TERMINAL STRIP (SEE 71-0104)	N/A	1
26	DECAL - 3 PHASE (SEE 71-0104)	N/A	1
27	DECAL - 230 VOLT (SEE 71-0104)	N/A	1
28	DECAL - TERMINAL STRIP (SEE 71-0104)	N/A	1
29	TERMINAL BLOCK	32-0536	1
30	BOLT	27-8898	1
31	NUT	30-3022	3
32	DECAL- GROUND PICTORIAL (SEE 71-0104)	N/A	1
33	OVERLOAD (TRANSFER-208V/230V, AERATION-208V/230V)	32-1015	1
-	OVERLOAD (SUMP-208V/230V)	32-1013	1
-	OVERLOAD (TRANSFER-460V, AERATION-460V, OZONE-208V/230V)	32-1012	1
-	OVERLOAD (SUMP-460V, OZONE-460V)	32-1010	1
34	CONTACTOR	32-1009	3
-	DECAL SET	71-0104	1
NOTE: FOR OZONE ADD (1) 32-0669 SWITCH, (1) 32-1009 CONTACTOR, (1) 32-1007 FUSE HOLDER			
*MUST ORDER IN ONE FOOT LENGTHS			

TANK ASSEMBLY - BIO-25R-1M10 - OZONE WX-0005 111014 MLK			
TANK ASSEMBLY			
ITEM	DESCRIPTION	PART #	QTY
1	BOLT	27-5016	6
2	LOCKWASHER	29-1006	6
3	WASHER	28-0121	6
4	STRAP - SS (1M10 / 1M30)	12-013515	3
5	MEDIA (STANDARD)	33-0337	24
-	VERTICAL FLOW MEDIA (WX-0121)	33-0543	24
6	REDUCER	55-1894	2
7	PIPE *(2" X 2 1/2")	55-1800	2
8	ADAPTER	55-1822	2
9	BULKHEAD (INC. 25-0481 GASKET)	55-1886	5
10	DECAL - INLET (SEE 71-0104)	N/A	1
11	DECAL - NONPOTABLE WATER (SEE 71-0104)	N/A	2
12	NIPPLE	55-1874	1
13	ELBOW	55-1810	1
14	DECAL - RISK OF ELECTROCUTION (SEE 71-0104)	N/A	1
15	BASEPLATE	12-013521	1
16	DECAL Mi-T-M STRIPE	34-2282	1
17	DECAL - #5M	34-2171	1
18	BIO-25 TANK - SS (1M10 / 1M30)	12-9211	1
19	OZONE INJECTOR PLUMBING - BIO	N/A SEP	1
20	BULKHEAD (INC. 25-0481 GASKET)	55-1686	1
21	STRAIN RELIEF	32-0437	4
22	BULKHEAD (INC. 25-0506 GASKET)	55-0886	4
23	FLOAT	32-0663	2
24	FLOAT	32-0664	1
25	BULKHEAD (INC. 25-042 GASKET)	55-1286	1
26	NIPPLE	55-1274	1
27	ELBOW	55-1210	1
28	CORD (EIGHTEEN FEET REQUIRED)	32-0075	1
29	SWITCH	32-0533	1
30	PLUG	55-1840	5
-	DECAL SET	71-0104	1
-	RIVET (1M10 / 1M30)	53-0004	13
*MUST ORDER IN ONE FOOT LENGTHS			

AERATOR INLET PLUMBING (AFTER SERIAL #30007000) (OZONE)

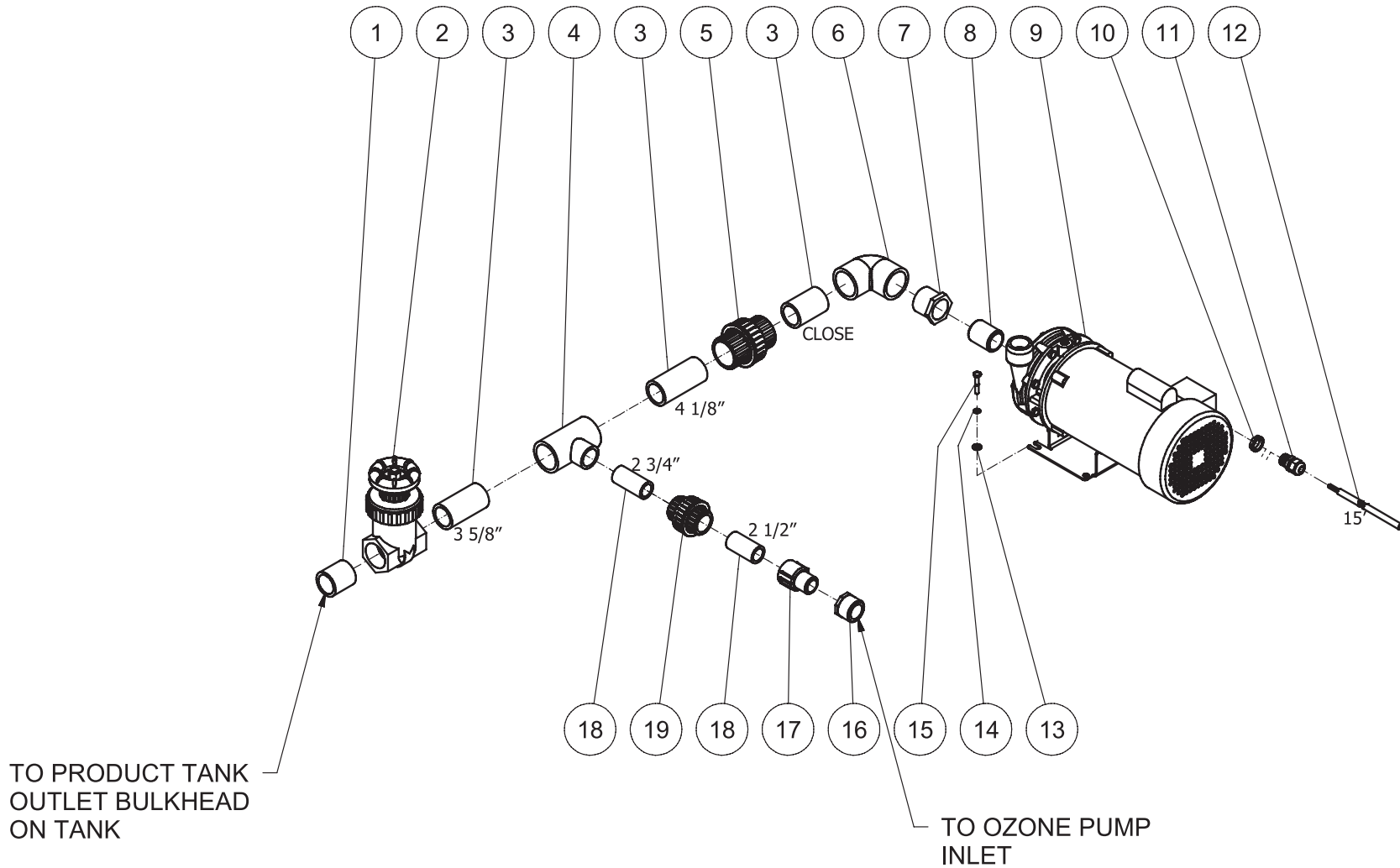
TO AERATION
PUMP INLET



AERATOR INLET PLUMBING - BIO-25R_35R - OZONE WX-0005 MLK

AERATOR INLET PLUMBING - BIO-25R_35R - OZONE WX-0005 MLK			
AERATOR INLET PLUMBING			
ITEM	DESCRIPTION	PART #	QTY
1	ADAPTER	55-1822	1
2	PIPE *(2" X 3")	55-1800	1
3	ELBOW	55-1809	1
4	PIPE *(2" X 26 1/2")	55-1800	1
5	BALL VALVE	55-1855	1
6	PIPE *(2" X 35 1/8")	55-1800	1
7	UNION	55-1845	1
9	REDUCER	55-1828	1
10	NIPPLE	55-1674	1
*MUST ORDER IN ONE FOOT LENGTHS			

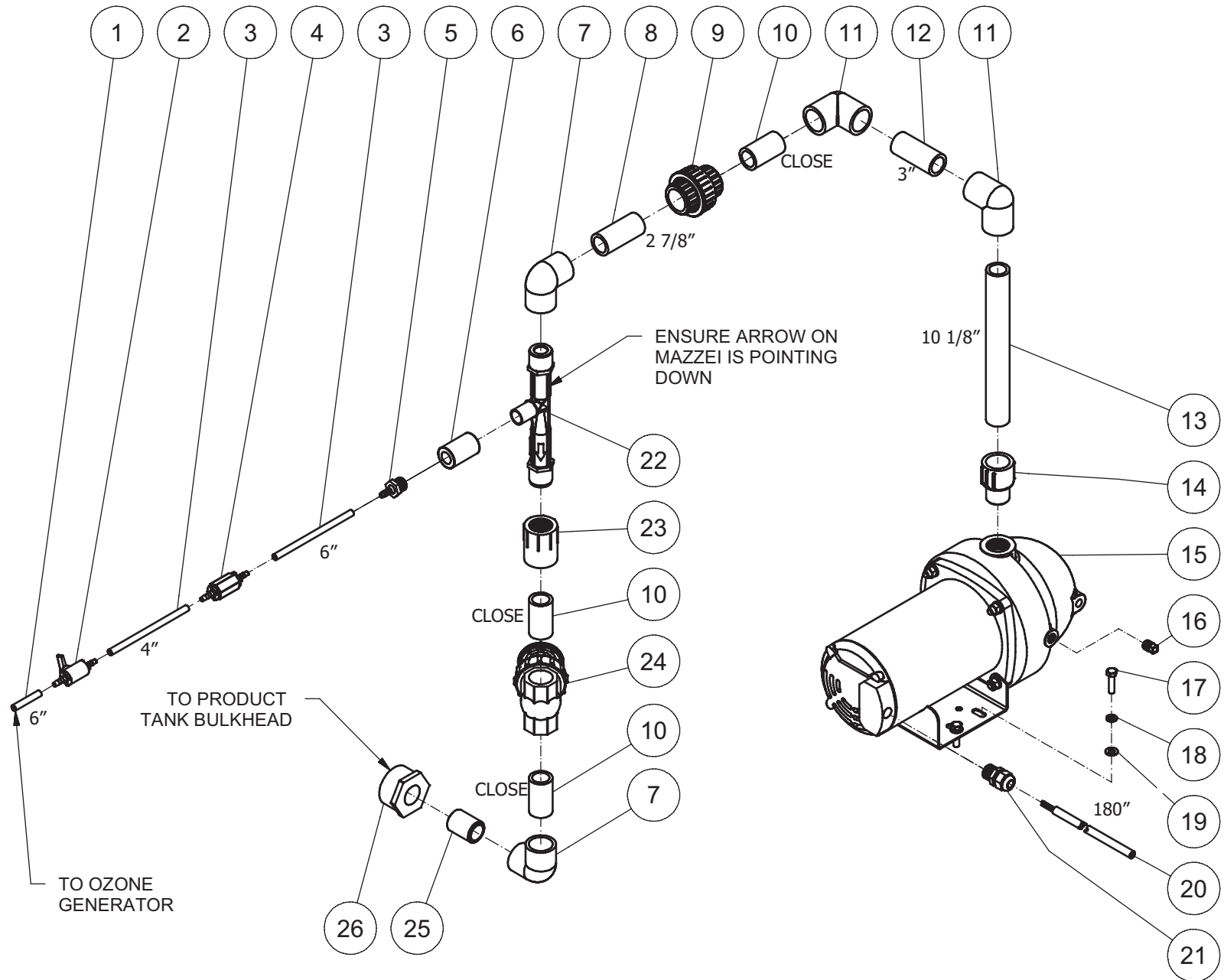
TRANSFER PUMP ASSEMBLY (AFTER SERIAL #30007609) (OZONE)



TRANSFER PUMP ASSEMBLY - BIO-25R_35R - OZONE 102116 MILK

TRANSFER PUMP ASSEMBLY - BIO-25R_35R - OZONE 102116 MLK			
TRANSFER PUMP ASSEMBLY			
ITEM	DESCRIPTION	PART #	QTY
1	TOE NIPPLE	55-1679	1
2	GATE VALVE	55-1671	1
4	TEE	55-1603	1
5	UNION	55-1645	1
3	*PIPE 1 1/2" *(ONE FOOT REQUIRED)	55-1600	1
6	ELBOW	55-1609	1
7	REDUCER	55-1628	1
8	NIPPLE	55-1474	1
9	PUMP (0M10/1M10)	3-0401	1
-	PUMP (0M30/1M30)	3-0402	1
10	ELECTRICAL LOCKNUT	32-0108	1
11	STRAIN RELIEF	32-0437	1
12	CORD *(FIFTEEN FEET REQUIRED) (0M10/1M10)	32-0074	1
-	CORD *(FIFTEEN FEET REQUIRED) (0M30/1M30)	32-0247	1
13	WASHER	28-0121	4
14	LOCKWASHER	29-1006	4
15	BOLT	27-5031	4
16	REDUCER	55-1433	1
17	MALE ADAPTER	55-1222	1
18	*PIPE 1" *(ONE FOOT REQUIRED)	55-1200	1
19	UNION	55-1245	1
-	RING - #10 (NOT SHOWN)	32-0099	1
-	CRIMPED WIRE SPLICE - #10 (NOT SHOWN) (0M30/1M30)	32-0359	3
-	CRIMPED WIRE SPLICE - #10 (NOT SHOWN) (0M10/1M10)	32-0359	2
-	1/8" AL. SHIM FOR PUMP (NOT SHOWN)	56-0077	1
*MUST ORDER IN ONE FOOT LENGTHS			

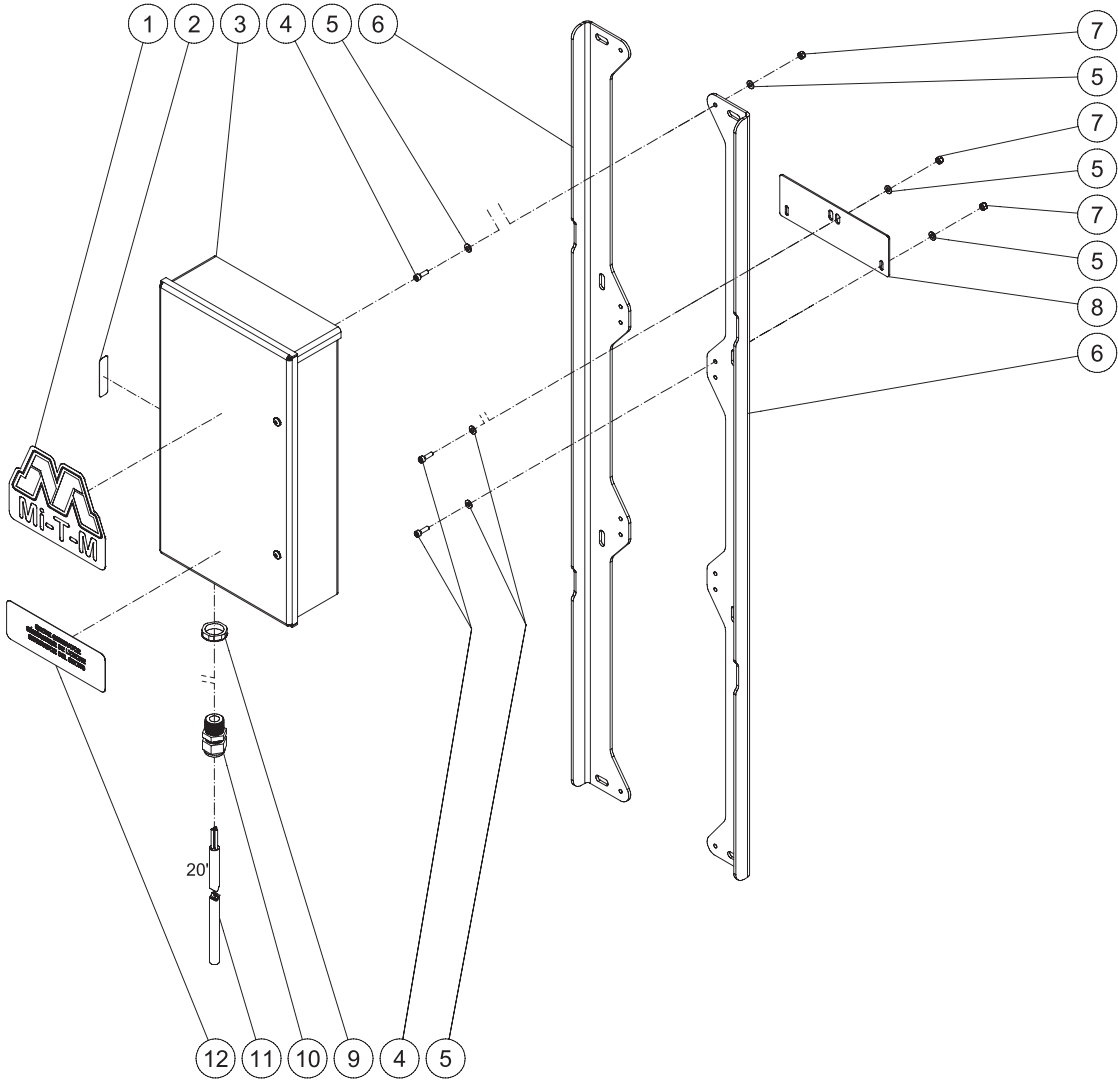
OZONE PLUMBING (AFTER SERIAL #30000283)



OZONE PLUMBING - BIO-25R_35R - OZONE WX-0005 082914 MLK

OZONE PLUMBING - BIO-25R_35R - OZONE WX-0005 082914 MLK			
OZONE PLUMBING			
ITEM	DESCRIPTION	PART #	QTY
1	HOSE *(ONE FOOT REQUIRED)	15-0226	2
2	VALVE	22-0074	1
3	HOSE *(FOUR FEET REQUIRED)	15-0226	1
4	CHECK VALVE	22-0286	1
5	HOSE BARB	55-0023	1
6	COUPLER	55-0815	1
7	ELBOW	55-1210	2
8	PIPE *(1" X 2 7/8")	55-1200	1
9	UNION	55-1245	1
10	PIPE *(1" X 2 1/4")	55-1200	3
11	ELBOW	55-1209	2
12	PIPE *(1" X 3")	55-1200	1
13	PIPE *(1" X 10 1/8")	55-1200	1
14	ADAPTER	55-1222	1
15	PUMP (0M10/1M10)	3-0186	1
-	PUMP (0M30/1M30)	3-0322	1
16	PLUG	24-0009	1
17	BOLT	27-8963	4
18	LOCKWASHER	29-1007	4
19	WASHER	28-0122	4
20	CORD (FIFTEEN FEET REQUIRED)	32-0074	1
21	STRAIN RELIEF	32-0437	1
22	MAZZEI	55-0015	1
23	ADAPTER	55-1221	1
24	GATE VALVE	55-1271	1
25	NIPPLE	55-1274	1
26	REDUCER	55-1835	1
-	SHIM FOR PUMPS (NOT SHOWN)	56-0077	1
*MUST ORDER IN ONE FOOT LENGTHS			

OZONE GENERATOR (AFTER SERIAL #3007551)

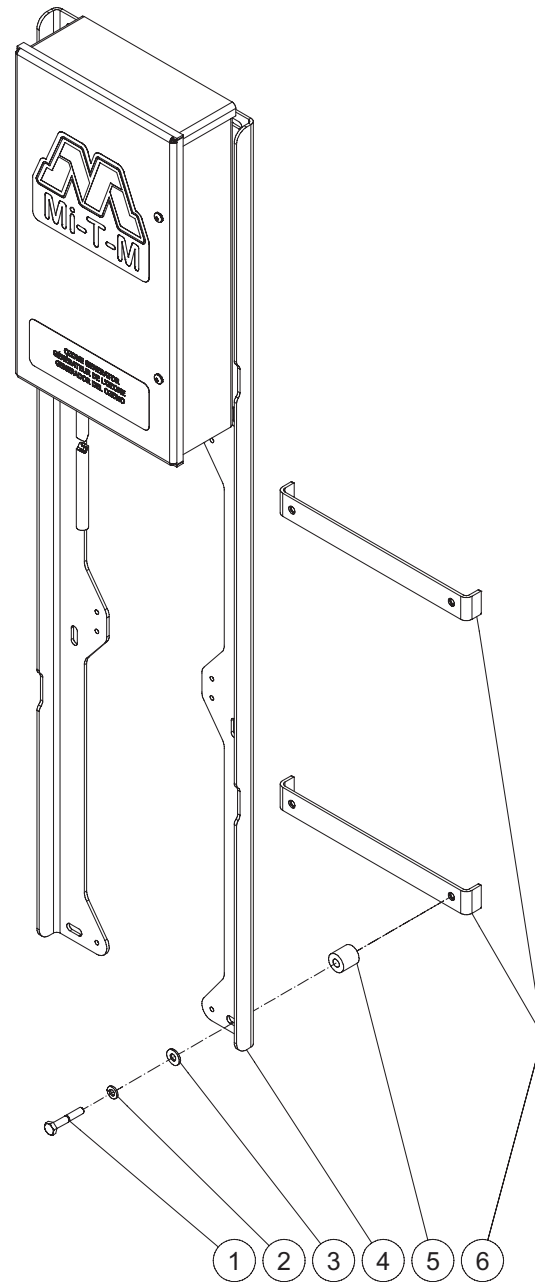


855-0045_7 040816 040816 MLK

OZONE GENERATOR

ITEM	DESCRIPTION	PART #	QTY
1	DECAL - Mi-T-M	34-2169	1
2	DECAL	N/A	1
3	OZONE GENERATOR (855-0045)	32-1192	1
-	OZONE GENERATOR (855-0047)	32-1193	1
4	SCREW	27-8835	5
5	WASHER	28-0010	10
6	BRACKET	20-1444A18	2
7	LOCKNUT	30-8152	5
8	FIT PLATE	20-1445A18	1
9	ELECTRICAL LOCKNUT	32-0108	1
10	STRAIN RELIEF	32-0437	1
11	CORD *(TWENTY FEET REQUIRED)	32-0074	1
12	OZONE DECAL	34-2115	1
*MUST ORDER IN ONE FOOT LENGTHS			

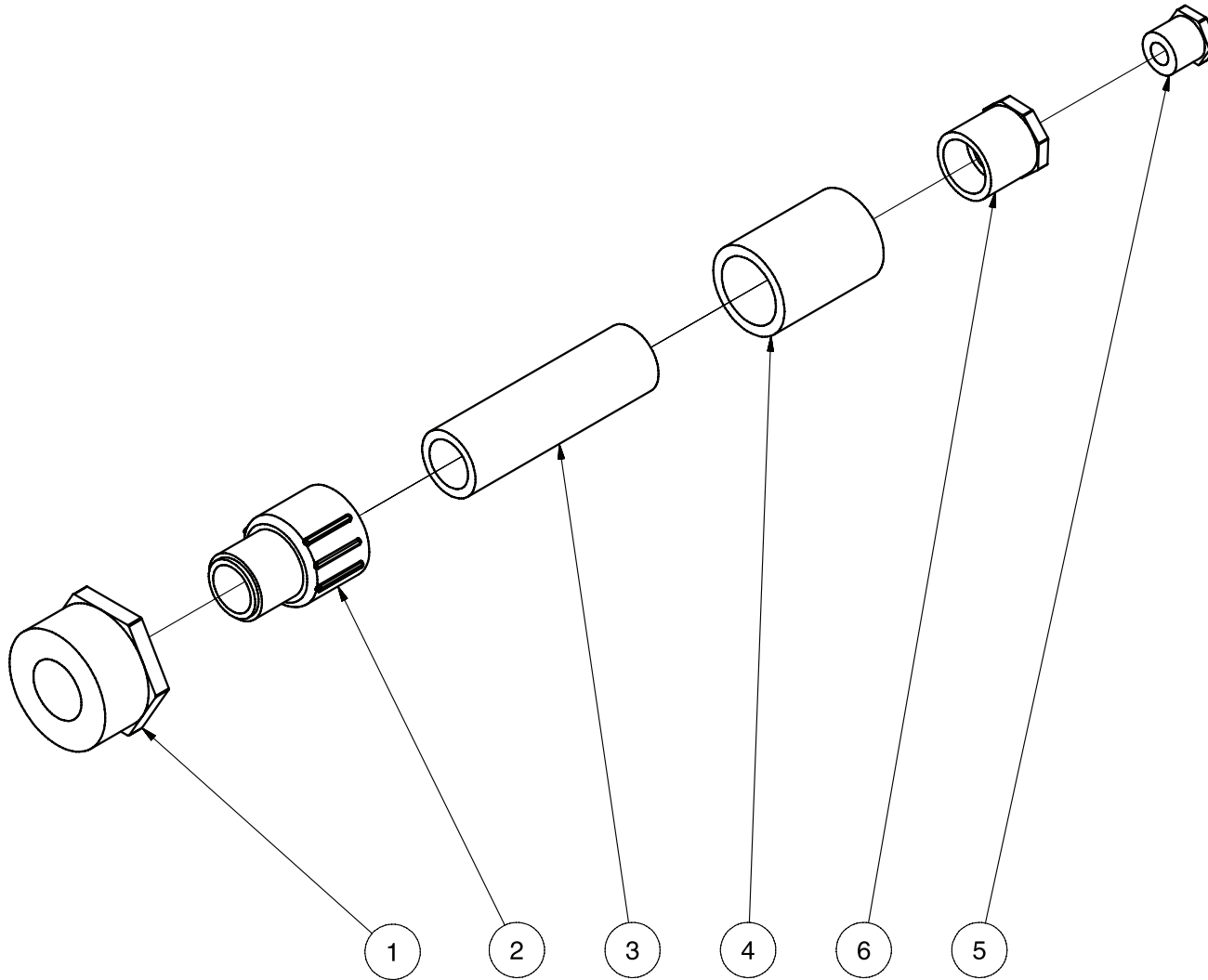
OZONE GENERATOR MOUNTING



OZONE GENERATOR MOUNTING SS TANKS 102815 MLK

OZONE GENERATOR MOUNTING 102815 MLK			
OZONE GENERATOR MOUNTING (STAINLESS STEEL TANKS)			
ITEM	DESCRIPTION	PART #	QTY
1	BOLT (WLP , WOS)	27-5031	4
-	BOLT (BIO'S)	27-5016	4
2	LOCKWASHER	29-1006	4
3	WASHER	28-0121	4
4	OZONE GENERATOR ASSEMBLY	855-0047	1
5	SPACER (WLP , WOS)	33-0358	4
6	ELECTRICAL BRACKET	--	2

OZONE INJECTOR PLUMBING

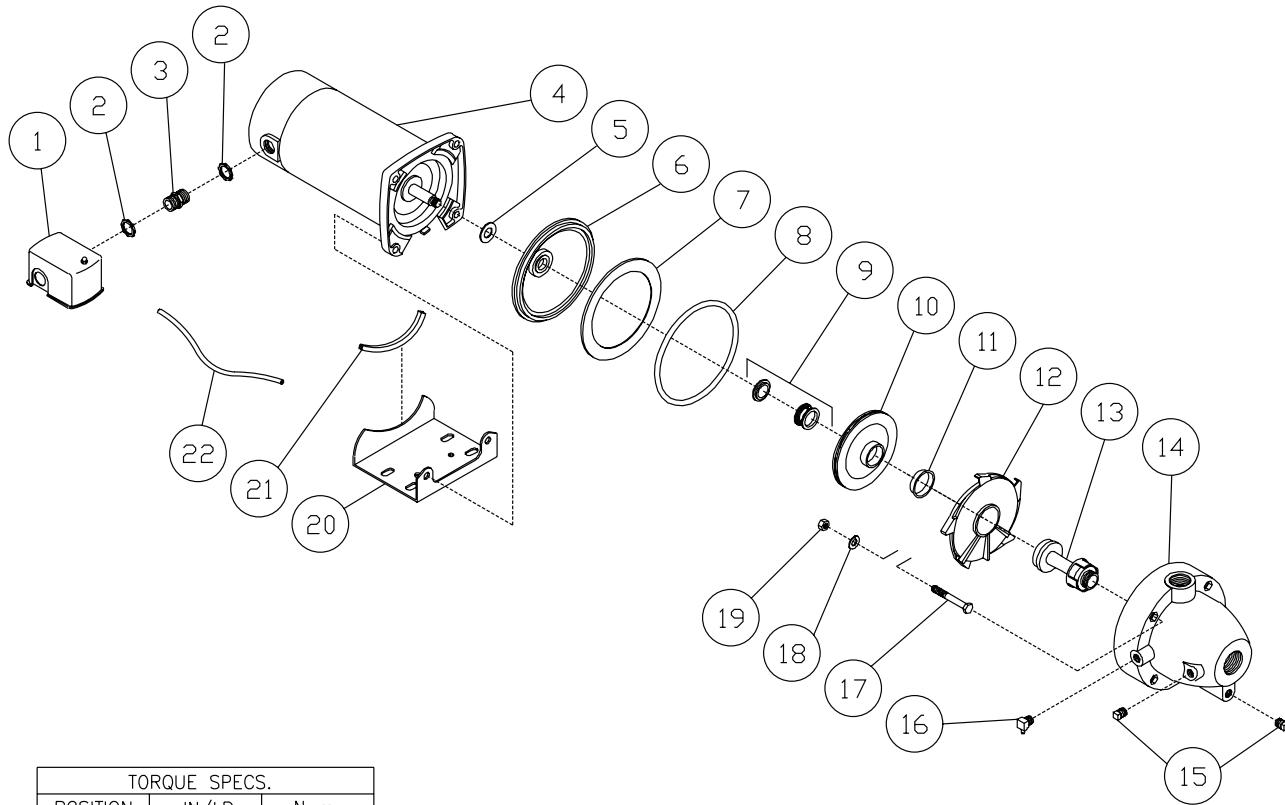


OZONE INJECTOR PLUMBING - BIO-25R_35R-1M10 072706

OZONE INJECTOR PLUMBING-072706-PJH

PLUMBING: OZONE INJECTOR			
REF. #	DESCRIPTION	PART#	QTY.
1	Reducer Bushing	55-1835	1
2	Male Adapter	55-1222	1
3	Pipe *(1" x 6")	55-1200	1
4	Coupler	55-1214	1
5	Reducer Bushing	55-0834	1
6	Reducer Bushing	55-1229	1

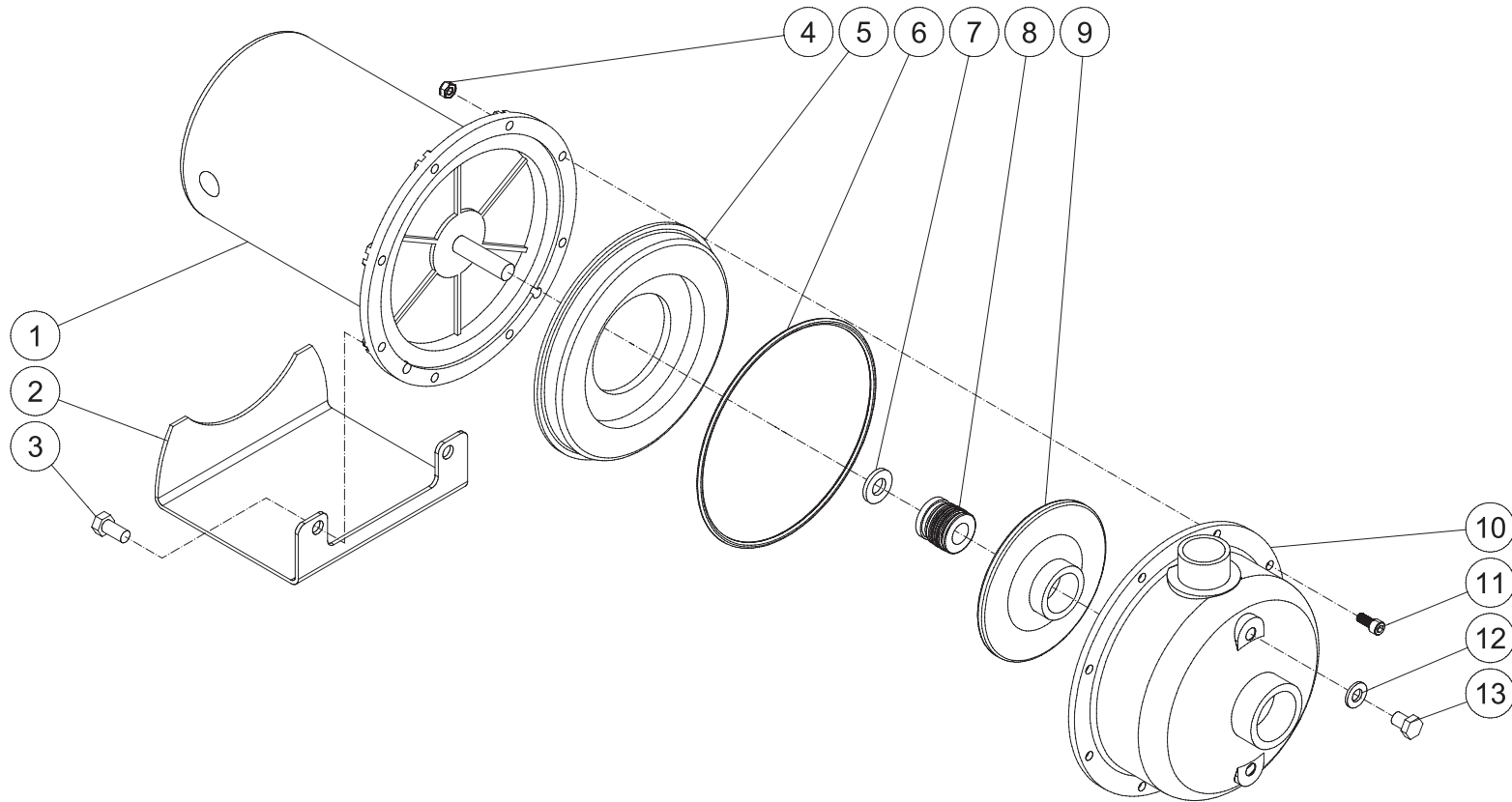
OZONE PUMP (3-0186) SINGLE PHASE



TORQUE SPECS.		
POSITION	IN/LB	N·m
19	150-160	16.9-18.0

OZONE PUMP (3-0186)							
REF. #	DESCRIPTION	PART#	QTY.	REF. #	DESCRIPTION	PART#	QTY.
1	Pressure Switch	22-0293	1	13	Venturi	46-0899	1
2	Locknut	32-0108	2	14	Case	46-0837	1
3	Fitting	54-0040	1	15	Plug	39-0109	2
4	Motor	N/A	1	16	Elbow	23-0381	1
5	Rubber Washer	N/A	1	17	Bolt	27-8937	4
6	Seal Plate	26-0214	1	18	Lock Washer	29-0008	4
7	Disk	46-0898	1	19	Nut	30-0006	4
8	O-ring (See 70-0257)	N/A Sep.	1	20	Base (Includes Ref. 21)	5-0144	1
9	Seal	26-0215	1	21	Rubber Protector	33-0320	1
10	Impeller (See 70-0257)	N/A Sep.	1	22	Hose	15-0210	1
11	Wear Ring	46-0835	1		Impeller Kit (Includes 8-12)	70-0313	1
12	Diffuser (See 70-0257)	N/A Sep.	1		Complete Ozone Pump	3-0186	

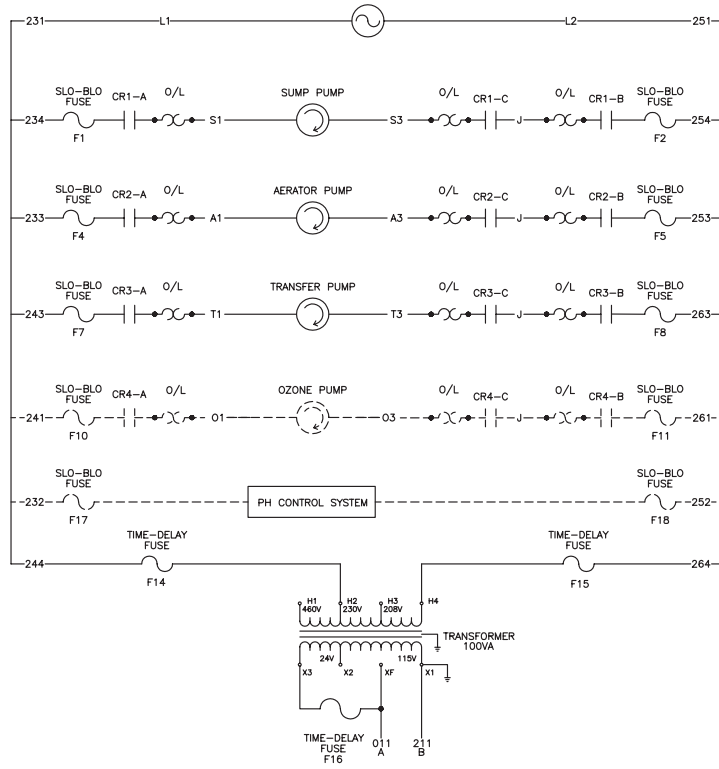
OZONE PUMP (3-0322) THREE PHASE



3-0322 072209-PJH			
OZONE PUMP (3-0322)			
ITEM	DESCRIPTION	Mi-T-M #	QTY
1	MOTOR	N/A	1
2	BASE	N/A	1
3	BOLT	27-0116	2
4	NUT	30-0057	8
5	SEAL PLATE	N/A	1
6	O-RING	25-0621	1
7	WATER SLINGER	46-1386	1
8	SHAFT SEAL	26-0354	1
9	IMPELLER	N/A	1
10	CASING/DIFFUSER ASSEMBLY	N/A	1
11	BOLT	27-8401	8
12	WASHER	N/A	2
13	PLUG	N/A	2

ELECTRICAL SCHEMATIC (SINGLE PHASE)

230V 1Ø LADDER DIAGRAM



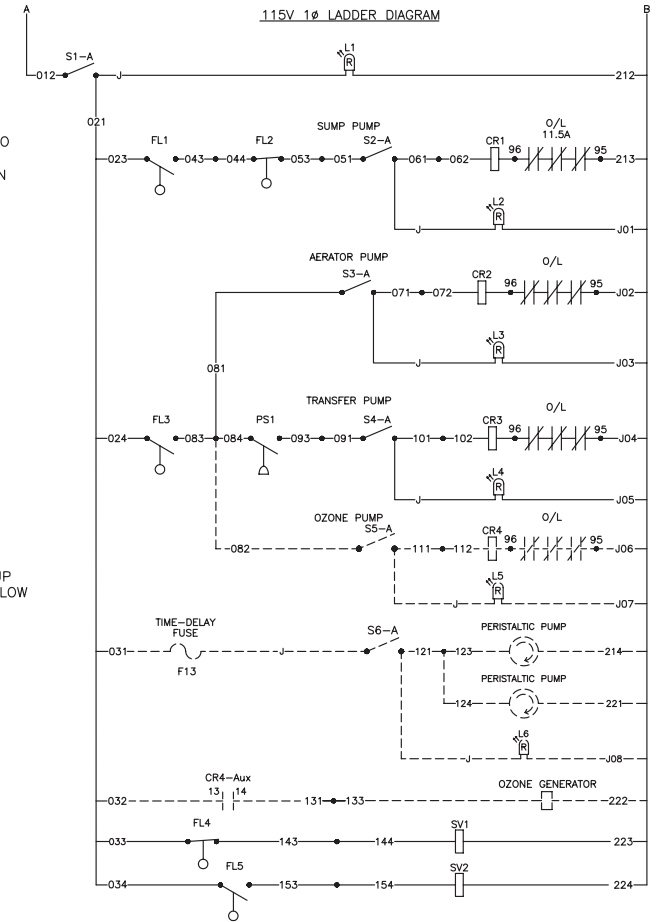
NOTES:

- 1) LADDER DIAGRAM SHOWN WITH POWER TO UNIT AND NO WATER IN PIT
- 2) ALL WIRES ARE 16GA UNLESS OTHERWISE SPECIFIED IN THE TABLE BELOW.

LEGEND

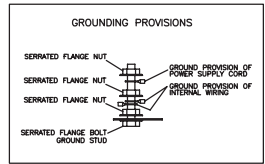
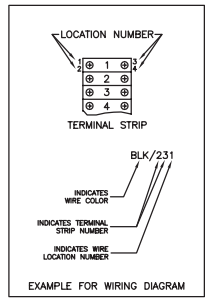
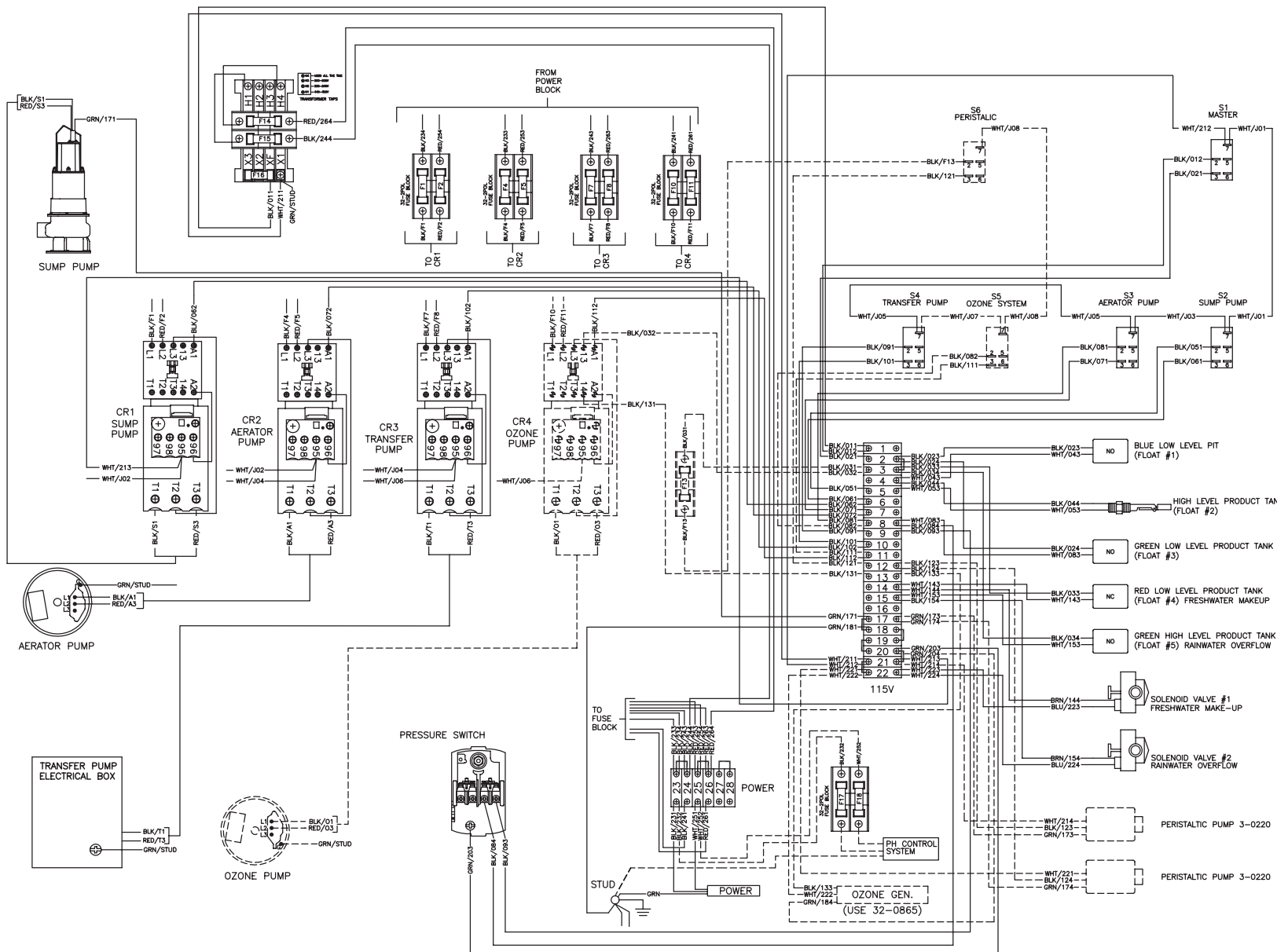
- CR1 = CONTROL RELAY, SUMP PUMP
- CR2 = CONTROL RELAY, AERATOR PUMP
- CR3 = CONTROL RELAY, TRANSFER PUMP
- CR4 = CONTROL RELAY, OZONE PUMP
- S1 = SWITCH, MASTER
- S2 = SWITCH, SUMP PUMP
- S3 = SWITCH, AERATOR PUMP
- S4 = SWITCH, TRANSFER PUMP
- S5 = SWITCH, OZONE SYSTEM
- S6 = SWITCH, PERISTALTIC METERING PUMP
- L1 = LIGHT, FOR S1
- L2 = LIGHT, FOR S2
- L3 = LIGHT, FOR S3
- L4 = LIGHT, FOR S4
- L5 = LIGHT, FOR S5
- L6 = LIGHT, FOR S6
- PS1 = PRESSURE SWITCH, 30-50 PSI (TRANSFER PUMP)
- FL1 = FLOAT, N.O. BLUE LOW LEVEL (SUMP PIT)
- FL2 = FLOAT, N.C. HIGH LEVEL (PRODUCT TANK)
- FL3 = FLOAT, N.O. GREEN LOW LEVEL (PRODUCT TANK)
- FL4 = FLOAT, N.C. RED LOW LEVEL FRESH WATER MAKEUP
- FL5 = FLOAT, N.O. GREEN HIGH LEVEL RAINWATER OVERFLOW
- SV1 = SOLENOID VALVE, FRESH WATER MAKEUP
- SV2 = SOLENOID VALVE, RAINWATER OVERFLOW

115V 1Ø LADDER DIAGRAM



LADDER DIAGRAM - MASTER - BIO-25R_35R - 1 PHASE 032514 MLK

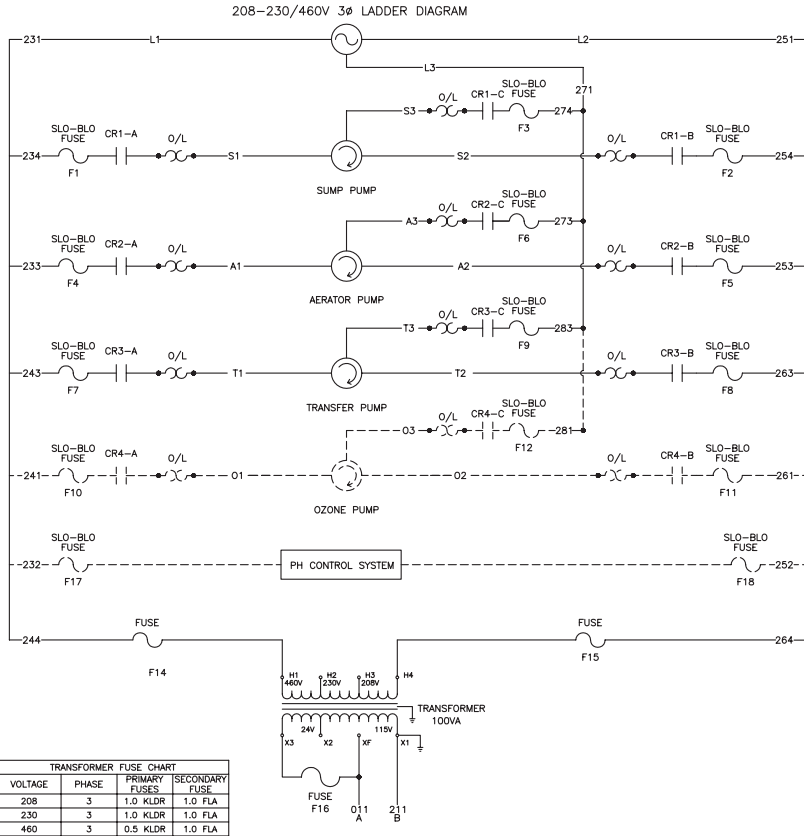
ELECTRICAL DIAGRAM (SINGLE PHASE)



- NOTES:
- 1) ALL WIRES ARE 16GA UNLESS OTHERWISE SPECIFIED IN THE TABLE ON THE LADDER DIAGRAM.
 - 2) FUSE SIZES ARE SHOWN IN THE TABLE ON THE LADDER DIAGRAM OR ON A STICKER INSIDE THE BOX.

WIRING DIAGRAM - MASTER - BIO-25R_35R - 1 PHASE 052814 JPS

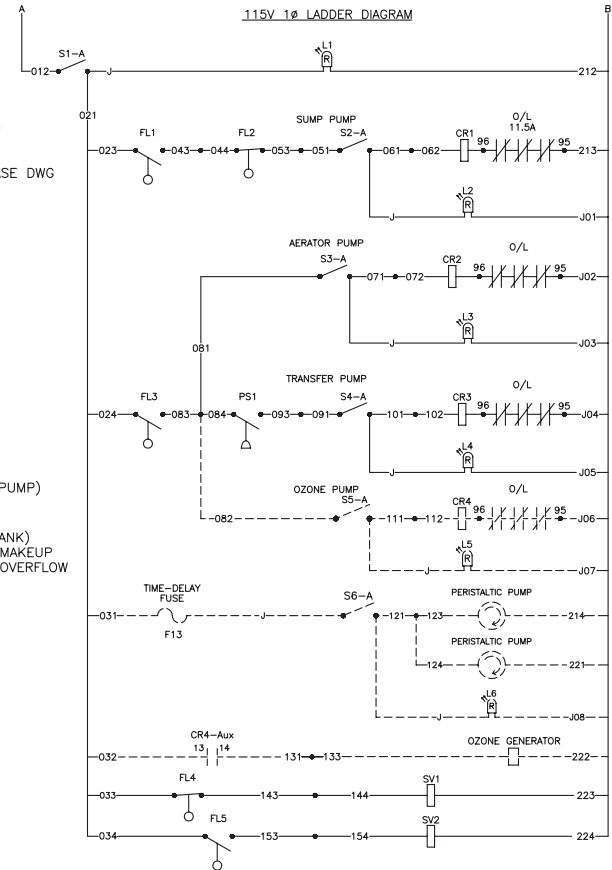
ELECTRICAL SCHEMATIC (THREE PHASE)



NOTE:
LADDER DIAGRAM SHOWN WITH POWER TO UNIT AND
NO WATER IN PIT
FOR FUSE AND OVERLOAD SETTINGS SEE:
FUSE AND OVERLOAD SETTINGS MASTER 3 PHASE DWG

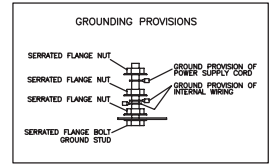
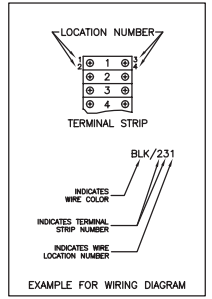
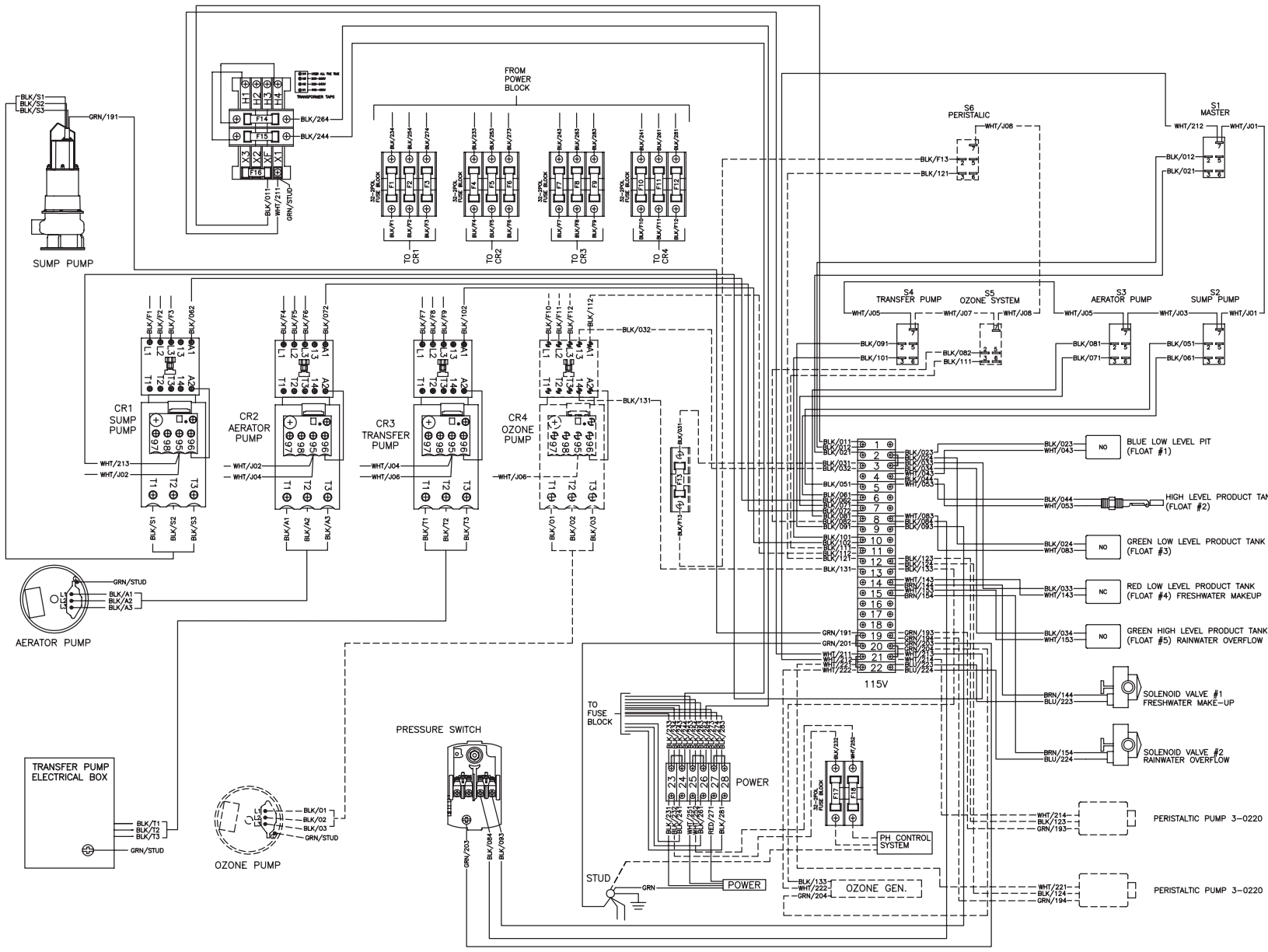
LEGEND

- CR1 = CONTROL RELAY, SUMP PUMP
- CR2 = CONTROL RELAY, AERATOR PUMP
- CR3 = CONTROL RELAY, TRANSFER PUMP
- CR4 = CONTROL RELAY, OZONE PUMP
- S1 = SWITCH, MASTER
- S2 = SWITCH, SUMP PUMP
- S3 = SWITCH, AERATOR PUMP
- S4 = SWITCH, TRANSFER PUMP
- S5 = SWITCH, OZONE SYSTEM
- S6 = SWITCH, PERISTALTIC PUMP
- L1 = LIGHT, FOR S1
- L2 = LIGHT, FOR S2
- L3 = LIGHT, FOR S3
- L4 = LIGHT, FOR S4
- L5 = LIGHT, FOR S5
- L6 = LIGHT, FOR S6
- PS1 = PRESSURE SWITCH, 30-50 PSI (TRANSFER PUMP)
- FL1 = FLOAT, N.O. BLUE LOW LEVEL (SUMP PIT)
- FL2 = FLOAT, N.C. HIGH LEVEL (PRODUCT TANK)
- FL3 = FLOAT, N.O. GREEN LOW LEVEL (PRODUCT TANK)
- FL4 = FLOAT, N.C. RED LOW LEVEL FRESH WATER MAKEUP
- FL5 = FLOAT, N.C. GREEN HIGH LEVEL RAINWATER OVERFLOW
- SV1 = SOLENOID VALVE, FRESH WATER MAKEUP
- SV2 = SOLENOID VALVE, RAINWATER OVERFLOW



LADDER DIAGRAM - MASTER - BIO-25R_35R - 3 PHASE 032414 MLK

ELECTRICAL DIAGRAM (THREE PHASE)



NOTES:

- 1) ALL WIRES ARE 16GA UNLESS OTHERWISE SPECIFIED IN THE TABLE ON THE LADDER DIAGRAM.
- 2) FUSE SIZES ARE SHOWN IN THE TABLE ON THE LADDER DIAGRAM OR ON A STICKER INSIDE THE BOX.

WIRING DIAGRAM - MASTER - BIO-25R_35R - 3 PHASE 070814 MLK

Manufactured by Mi-T-M
8650 Enterprise Drive, Peosta IA 52068
563-556-7484/ Fax 563-556-1235