



PARTS LIST FOR
AIR COMPRESSOR/GENERATOR
AG2-PH13-08M1 , AG2-SH13-08M1
AG2-PK14-08M1, AG2-SK14-08M1
AG2-PM14-08M1, AG2-SM14-08M1
AG2-PV14-08M1, AG2-SV14-08M1

ENGINE OIL GRADE:	SAE 10W-30
ENGINE OIL CAPACITY:	
HONDA	37.0 oz.
KOHLER	44.0 oz.
Mi-T-M	32.0 oz.
VANGUARD	32.0 oz.
MAXIMUM PRESSURE	175 PSI
COMPRESSOR OIL GRADE:	SAE30W Non-Detergent
COMPRESSOR OIL CAPACITY:	24.7 oz.
WATTS W/COMPRESSOR:	3000
WATTS W/O COMPRESSOR:	3500

This Parts Listing has been compiled for your benefit. You can be assured your Mi-T-M Air Compressor/Generator was constructed and designed with quality and performance in mind. Each component has been rigorously tested to insure the highest level of acceptance.

The contents of this Parts Listing are based on the latest product information available at the time of publication. Mi-T-M reserves the right to make changes in price, color, materials, equipment, specifications or models at any time without notice.

WARNING

THIS IS A PROFESSIONAL AIR COMPRESSOR/GENERATOR. CAUTION SHOULD BE OBSERVED WHEN USING OR REPAIRING THIS UNIT! READ AND FOLLOW THE SAFETY WARNINGS LISTED BELOW BEFORE ATTEMPTING ANY REPAIRS ON THIS AIR COMPRESSOR/GENERATOR!

SAFETY WARNINGS

1. NEVER alter or modify the equipment. Be sure any accessory items and system components being used will withstand the pressure developed. Serious injury may occur from an air compressor malfunction or exploding accessories if incorrect system components, attachments or accessories are used. NEVER exceed manufactures maximum allowable pressure rating of attachments. Use only genuine Mi-T-M parts for repair of your air compressor/ generator. Failure to do so can cause hazardous operating conditions and will VOID warranty.
2. NEVER make adjustments on machinery while the unit is connected to the engine without first removing the ignition cable from the spark plug. Turning over the machinery by hand during adjustment or cleaning might start the engine and machinery with it, causing serious injury to the operator.
3. Know how to stop and bleed pressures quickly. Be thoroughly familiar with controls. Do not operate without protective covers/ guards.
4. Before servicing the unit, turn unit off, relieve the pressure and allow the unit to cool down. Service in a clean, dry, flat area. Block the wheels to prevent the unit from moving. Be especially careful to properly dispose of any flammable materials.
5. After testing the machine, DO NOT leave the pressurized unit unattended. Shut off the unit and release pressure before leaving.

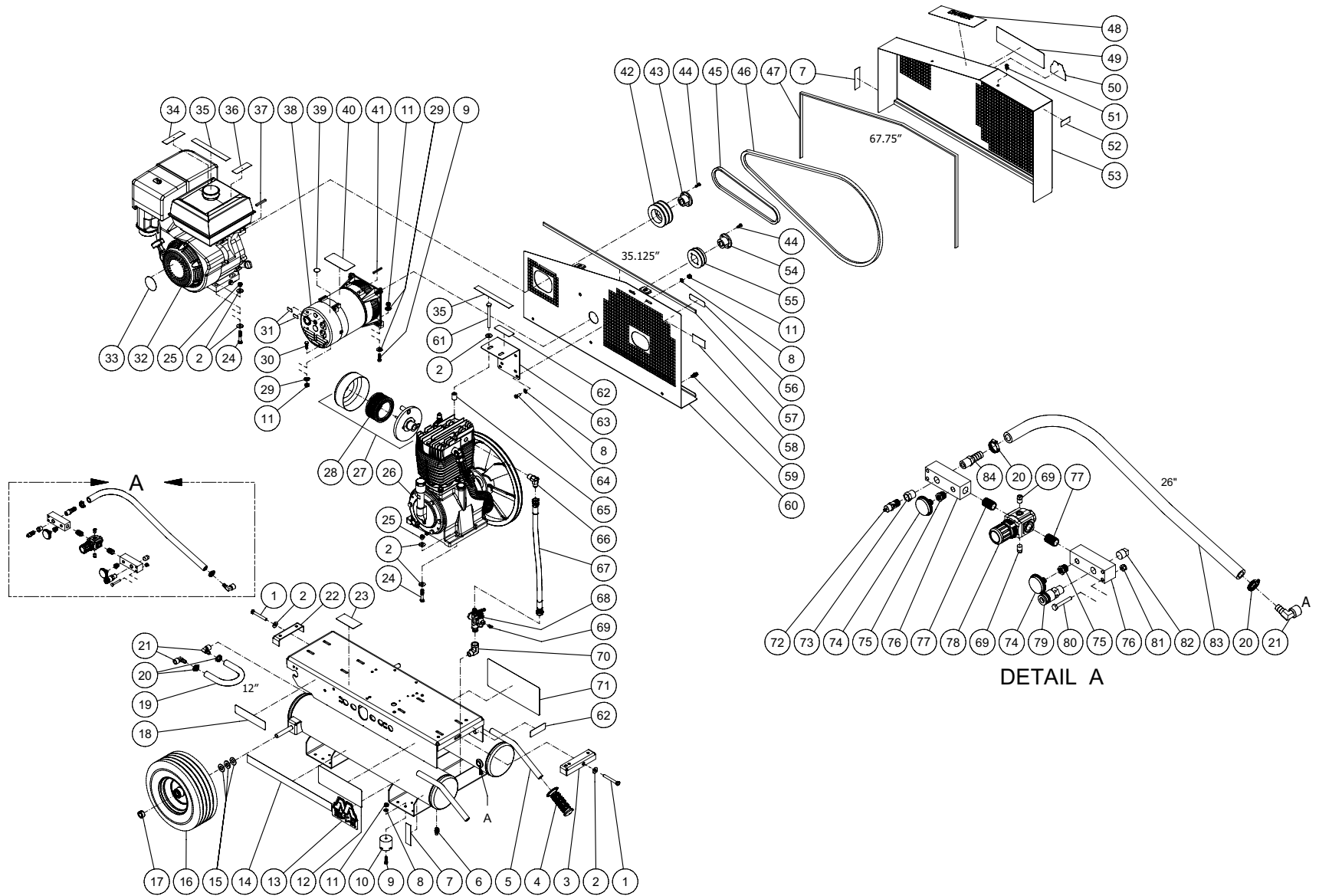
Table of Contents

SPECIFICATIONS	3
TANK ASSEMBLY FOR AG2-PH13-08M1, AG2-PK14-08M1, AG2-PM14-08M1 AND AG2-PV14-08M1	4
TANK ASSEMBLY FOR AG2-SH13-08M1, AG2-SK14-08M1, AG2-SM14-08M1 AND AG2-SV14-08M1	6
TWO STAGE COMPRESSOR (3-0298)	8
ALTERNATOR (32-0872)	10
PILOT VALVE (22-0270)	12

SPECIFICATIONS

MODEL NUMBER	AG2-PH13-08M1 / AG2-SH13-08M1	AG2-PK-08M1 / AG2-SK14-08M1	AG2-PM14-08M1 / AG2-SM14-08M1	AG2-PV14-08M1 / AG2-SV14-08M1
Engine:	Honda	Kohler	Mi-T-M	Vanguard
Model	GX390	CH440	420cc	25 V3
Oil Type	SAE-10W30			
Oil Capacity	37 oz.	44.0 oz.	32.0 oz.	
Low Oil Protection	Oil Alert™	Oil Sentry™	Oil Alert™	Oil Sensor
Fuel Type	Unleaded Gasoline 86 Octane Minimum			
Fuel Capacity	1.7 Gallon	1.85 Gallon	1.80 Gallon	1.6 Gallon
Maximum No Load RPM	3600			
Generator:				
Watts w/ Compressor	3000			
Watts w/o Compressor	3500			
Compressor Pump:				
Number of Cylinders	2			
Compression Stages	2			
First Stage Bore	3.94			
Second Stage Bore	2.17			
Stroke	3.36			
RPM	864			
Flywheel	16.5			
Lubrication	Splash			
Oil Quantity	24.7 oz.			
Oil Type	30 W Non Detergent			
Crankcase	Cast Iron			
Bearings	Ball			
Cylinder	Cast Iron			
Valves	Reed			
Head	Aluminum			
Filter	Canister			
Pilot Valve Setting:				
Cut-out	175 PSI			
Cut-in	145 PSI			
Air Tank:				
Capacity	8 Gallons			
Performance:				
CFM Air Displacement	20.3			
CFM @ 40 PSI	17.0			
CFM @ 100 PSI	16.3			
CFM @ 175 PSI	15.7			
Maximum Pressure	175 PSI			
Pump-up Time: 0-125 PSI	46 seconds			
Recovery Time: 90-125 PSI	4 seconds			
Working Pressure Range	145-175 PSI			
Weight:				
Net	360 lbs			
Shipping	425 lbs			
Dimensions:				
Basic L x W x H	44" x 22" x 34"			
Shipping L x W x H	47" x 32" x 47"			

TANK ASSEMBLY FOR AG2-PH13-08M1, AG2-PK14-08M1, AG2-PM14-08M1 AND AG2-PV14-08M1

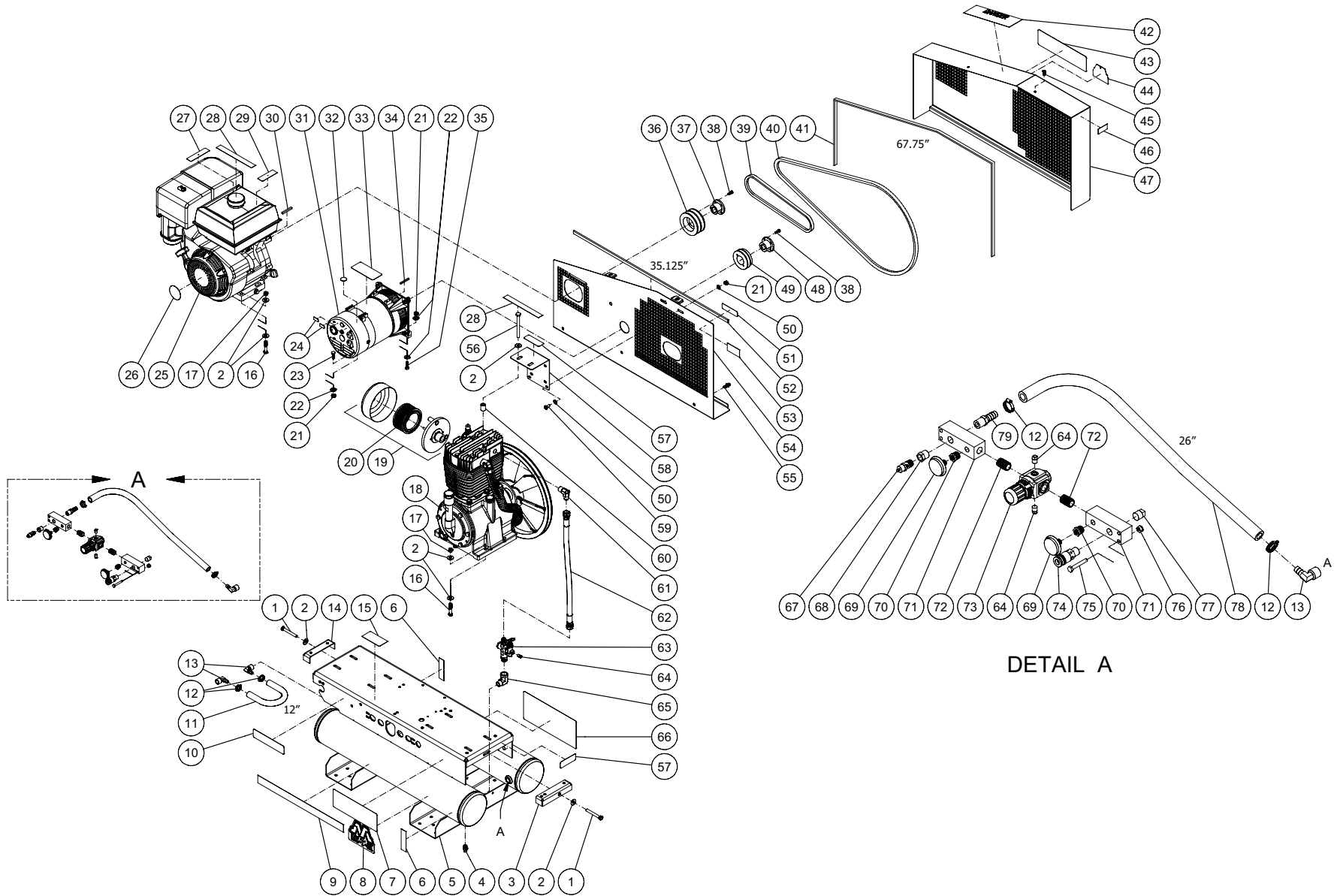


AG2-PH13_PK14_PM14_PV14-08M1 051320 ATL

FRAME ASSEMBLY

ITEM	TITLE	PART #	QTY	ITEM	TITLE	PART #	QTY
1	BOLT	27-0576	2	43	BUSHING	9-0005	1
2	WASHER	28-0023	20	44	BOLT	27-0015	4
3	TIGHTENER BRACKET	20-0812A18	1	45	BELT	11-0016	1
4	HANDLE GRIP	7-0059	2	46	BELT	11-0075	1
5	TANK ASSEMBLY	12-0202A18	1	47	EDGING *(SIX FEET REQUIRED)	33-0020	1
6	PETCOCK	23-0312	2	48	DECAL- WARNING (SEE 71-2002)	N/A	1
7	DECAL - TANK DRAIN (SEE 71-2002)	N/A	2	49	DECAL - OPERATIONS (SEE 71-2002)	N/A	1
8	WASHER	28-0003	6	50	DECAL - #2M (SEE 71-2002)	N/A	1
9	BOLT	27-0068	4	51	FASTENER	33-0197	2
10	ISOLATOR	14-0008	2	52	DECAL - MADE IN USA	34-3553	1
11	LOCKNUT	30-0157	7	53	BELTGUARD FRONT	6-0103A18	1
12	DECAL - MAINTENANCE (SEE 71-2002)	N/A	1	54	BUSHING	9-0033	1
13	DECAL - Mi-T-M (SEE 71-2002)	N/A	1	55	SHEAVE	10-0080	1
14	DECAL - Mi-T-M STRIPE (SEE 71-2002)	N/A	1	56	DECAL - WARNING (SEE 71-2002)	N/A	1
15	WASHER	28-0008	6	57	EDGING *(THREE FEET REQUIRED)	33-0020	1
16	WHEEL	14-0150	2	58	DECAL- MOBILE PRO	34-3657	1
17	COLLAR	33-0351	2	59	BOLT	27-9524	3
18	DECAL- SPEC'S	N/A	1	60	BELTGUARD BACK	6-0195A18	1
19	HOSE *(ONE FOOT REQUIRED)	15-0007	1	61	BOLT	27-8071	2
20	HOSE CLAMP	42-0011	4	62	DECAL - RISK OF BURNS (SEE 71-2002)	N/A	2
21	HOSE BARB	23-0418	3	63	BRACKET	13-0189A18	1
22	TIGHTENER BRACKET	20-0650A18	1	64	BOLT	27-0066	2
23	DECAL- SILVER STICKER	N/A	1	65	SPACER	33-0425	2
24	BOLT	27-0121	8	66	90° ELBOW FITTING	24-0074	1
25	LOCKNUT	30-0159	8	67	HOSE	15-0275	1
26	PUMP	3-0298	1	68	PILOT VALVE	22-0270	1
27	FILTER CANISTER	19-0237	1	69	PLUG	24-0082	3
28	AIR FILTER	19-0226	1	70	ELBOW	24-0006	1
29	WASHER	28-0022	5	71	DECAL - OPERATIONS (SEE 71-2002)	N/A	1
30	BOLT	27-0067	1	72	PRESSURE RELIEF VALVE	22-0267	1
31	DECAL - 115 VOLT (SEE 71-2002)	N/A	2	73	REDUCER	23-0017	1
32	ENGINE - HONDA	1-0086	1	74	PRESSURE GAUGE	22-0271	2
-	ENGINE - Mi-T-M 420cc RECOIL	1-0199	1	75	REDUCER	23-0111	2
-	ENGINE - KOHLER 429cc RECOIL	1-0208	1	76	MANIFOLD BLOCK	51-0033	2
-	ENGINE - VANGUARD 14 HP RECOIL	1-0245	1	77	NIPPLE	24-0175	2
33	DECAL - REWIND 420CC (SEE 71-2002) (PM14)	N/A	1	78	REGULATOR	22-0231	1
34	DECAL - RISK OF BURNS (SEE 71-2002)	N/A	1	79	QC SOCKET	17-0068	1
35	DECAL - CHECK OIL	N/A	2	80	BOLT	27-0019	4
36	DECAL - RISK OF FIRE (SEE 71-2002)	N/A	1	81	LOCKNUT	30-0155	4
37	KEY	43-0078	1	82	PLUG	24-0034	1
38	GENERATOR - AR1-105/2	32-0872	1	83	HOSE *(THREE FEET REQUIRED)	15-0007	1
39	DECAL- GROUND PICTORIAL (SEE 71-2002)	N/A	1	84	HOSE BARB	23-0105	1
40	DECAL - RISK OF SHOCK (SEE 71-2002)	N/A	1	-	DECAL SET/AG1/AG2	71-2002	1
41	KEY	43-0073	1	*MUST ORDER IN ONE FOOT LENGTHS			
42	SHEAVE	10-0042	1				

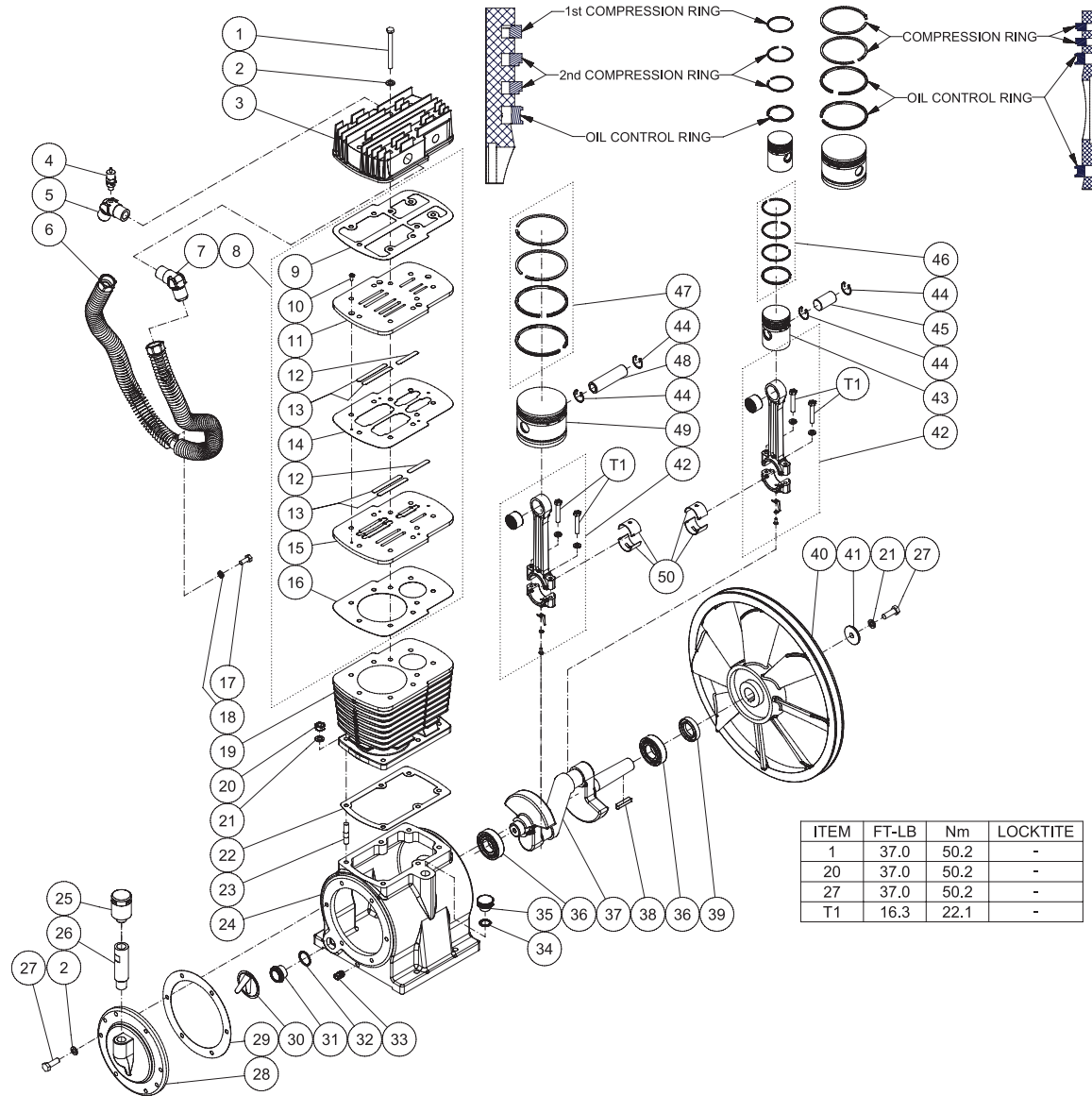
TANK ASSEMBLY FOR AG2-SH13-08M1, AG2-SK14-08M1, AG2-SM14-08M1 AND AG2-SV14-08M1



AG2-SH13_SK14_SM14_SV14-08M1 051320 ATL

FRAME ASSEMBLY							
ITEM	TITLE	PART #	QTY	ITEM	TITLE	PART #	QTY
1	BOLT	27-0576	2	40	BELT	11-0075	1
2	WASHER	28-0023	20	41	EDGING *(SIX FEET REQUIRED)	33-0020	1
3	TIGHTENER BRACKET	20-0812A18	1	42	DECAL- WARNING (SEE 71-2002)	N/A	1
4	PETCOCK	23-0312	2	43	DECAL - OPERATIONS (SEE 71-2002)	N/A	1
5	TANK ASSEMBLY	12-0173A18	1	44	DECAL - #2M (SEE 71-2002)	N/A	1
6	DECAL - TANK DRAIN (SEE 71-2002)	N/A	2	45	FASTENER	33-0197	2
7	DECAL - MAINTENANCE (SEE 71-2002)	N/A	1	46	DECAL - MADE IN USA	34-3553	1
8	DECAL - Mi-T-M (SEE 71-2002)	N/A	1	47	BELTGUARD FRONT	6-0103A18	1
9	DECAL - Mi-T-M STRIPE (SEE 71-2002)	N/A	1	48	BUSHING	9-0033	1
10	DECAL- SPEC'S (SEE 71-2002)	N/A	1	49	SHEAVE	10-0080	1
11	HOSE *(ONE FOOT REQUIRED)	15-0007	1	50	WASHER	28-0003	4
12	HOSE CLAMP	42-0011	4	51	DECAL - WARNING (SEE 71-2002)	N/A	1
13	HOSE BARB	23-0418	3	52	EDGING *(THREE FEET REQUIRED)	33-0020	1
14	TIGHTENER BRACKET	20-0650A18	1	53	DECAL- MOBILE PRO	34-3657	1
15	DECAL- SILVER STICKER	N/A	1	54	BELTGUARD BACK	6-0195A18	1
16	BOLT	27-0121	8	55	BOLT	27-9524	3
17	LOCKNUT	30-0159	8	56	BOLT	27-8071	2
18	PUMP	3-0298	1	57	DECAL - RISK OF BURNS (SEE 71-2002)	N/A	2
19	FILTER CANISTER	19-0237	1	58	BRACKET	13-0189A18	1
20	AIR FILTER	19-0226	1	59	BOLT	27-0066	2
21	LOCKNUT	30-0157	5	60	SPACER	33-0425	2
22	WASHER	28-0022	5	61	90° ELBOW FITTING	24-0074	1
23	BOLT	27-0067	1	62	HOSE	15-0275	1
24	DECAL - 115 VOLT (SEE 71-2002)	N/A	2	63	PILOT VALVE	22-0270	1
25	ENGINE - HONDA 390cc RECOIL	1-0086	1	64	PLUG	24-0082	3
-	ENGINE - KOHLER 429cc RECOIL	1-0208	1	65	ELBOW	24-0006	1
-	ENGINE - Mi-T-M 420cc RECOIL	1-0199	1	66	DECAL - OPERATIONS (SEE 71-2002)	N/A	1
-	ENGINE - VANGUARD 14hp RECOIL	1-0245	1	67	PRESSURE RELIEF VALVE	22-0267	1
26	DECAL - REWIND 420CC (SM14)	34-2865	1	68	REDUCER	23-0017	1
27	DECAL - RISK OF BURNS (SEE 71-2002)	N/A	1	69	PRESSURE GAUGE	22-0271	2
28	DECAL - CHECK OIL	N/A	2	70	REDUCER	23-0111	2
29	DECAL - RISK OF FIRE (SEE 71-2002)	N/A	1	71	MANIFOLD BLOCK	51-0033	2
30	KEY (SM14, SV14)	43-0078	1	72	NIPPLE	24-0175	2
31	GENERATOR	32-0872	1	73	REGULATOR	22-0231	1
32	DECAL- GROUND PICTORIAL (SEE 71-2002)	N/A	1	74	QC SOCKET	17-0068	1
33	DECAL - RISK OF SHOCK (SEE 34-2002)	N/A	1	75	BOLT	27-0019	4
34	KEY	43-0073	1	76	LOCKNUT	30-0155	4
35	BOLT	27-0068	2	77	PLUG	24-0034	1
36	SHEAVE	10-0042	1	78	HOSE *(THREE FEET REQUIRED)	15-0007	1
37	BUSHING	9-0005	1	79	HOSE BARB	23-0105	1
38	BOLT	27-0015	4	-	DECAL SET/AG1/AG2	71-2002	1
39	BELT	11-0016	1	*MUST ORDER IN ONE FOOT LENGTHS			

TWO STAGE COMPRESSOR (3-0298)



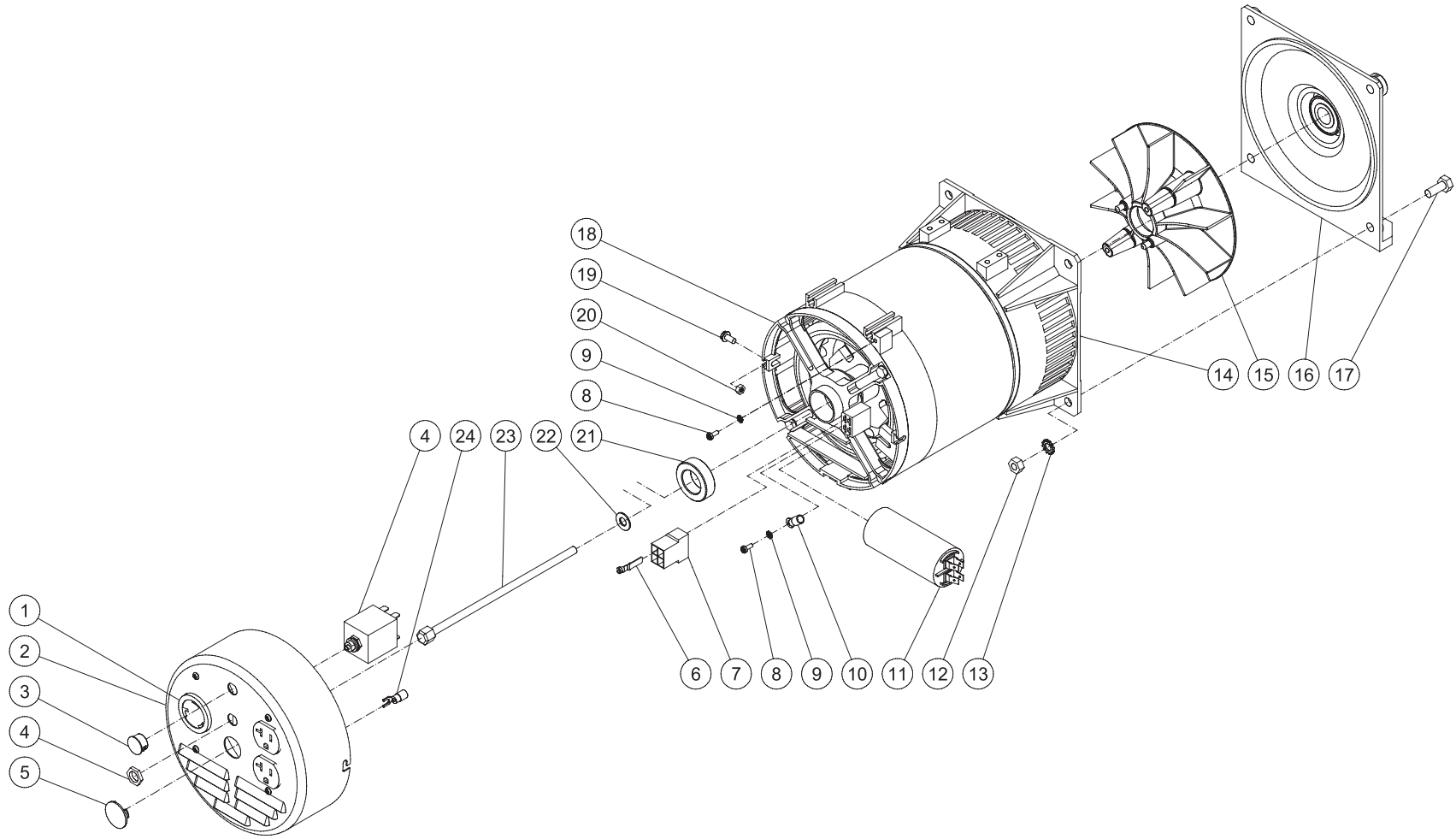
ITEM	FT-LB	Nm	LOCKTITE
1	37.0	50.2	-
20	37.0	50.2	-
27	37.0	50.2	-
T1	16.3	22.1	-

3-0298 102616 JJR

PUMP ASSEMBLY

ITEM	DESCRIPTION	PART #	QTY	ITEM	DESCRIPTION	PART #	QTY
1	BOLT	27-8043	9	27	BOLT	27-8061	7
2	COPPER WASHER	28-1059	15	28	REAR CRANKCASE COVER	46-1278	1
3	CYLINDER HEAD	46-1272	1	29	GASKET - REAR CRANKCASE COVER	N/A	1
4	LP SAFETY VALVE	22-0362	1	30	OBSTRUCT OIL NET	46-1279	1
5	65° OUTLET ELBOW W/PORT	24-0304	1	31	OIL LEVEL SIGHT GLASS	46-1280	1
6	INTERCOOLER TUBE	46-1273	1	32	O-RING	25-0150	1
7	65° OUTLET ELBOW	24-0305	1	33	PLUG	24-0009	1
8	KIT - VALVE PLATE ASSY - (INC. 9-16)	70-0473	1	34	O-RING	25-0160	1
9	GASKET - VALVE PLATE (UPPER)	N/A	1	35	OIL FILL CAP	46-1281	1
10	SCREW	N/A	4	36	BALL BEARING	48-0024	2
11	UPPER VALVE SEAT	N/A	1	37	PUMP CRANKSHAFT	46-1282	1
12	HP VALVE REED	N/A	2	38	KEY	43-0125	1
13	LP VALVE REED	N/A	4	39	OIL SEAL	26-0302	1
14	GASKET - VALVE PLATE (MIDDLE)	N/A	1	40	FLYWHEEL	10-0139	1
15	LOWER VALVE SEAT	N/A	1	41	WASHER	N/A	1
16	GASKET - VALVE PLATE (LOWER)	N/A	1	42	KIT - HP CONNECTING ROD ASSEMBLY (INC. 49)	70-0468	2
17	BOLT	27-8032	1	43	PISTON	46-1283	1
18	LOCKWASHER	29-0054	1	44	PISTON SNAP RING	46-1284	4
19	CYLINDER	46-1274	1	45	PISTON PIN	46-1285	1
20	NUT	30-7203	6	46	KIT - HP PISTON RING	70-0469	1
21	LOCKWASHER	29-0055	7	47	KIT - LP PISTON RING	70-0470	1
22	GASKET - CYLINDER	N/A	1	48	PISTON PIN	46-1286	1
23	STUD	27-8991	6	49	PISTON	46-1287	1
24	PUMP CRANKCASE	46-1275	1	50	CONNECTING ROD BUSHING	46-1288	4
25	BREATHER ASSY	46-1276	1	-	KIT - PUMP GASKET - (INC. 9, 14, 16, 22, 29)	70-0472	1
26	BREATHER PIPE	46-1277	1				

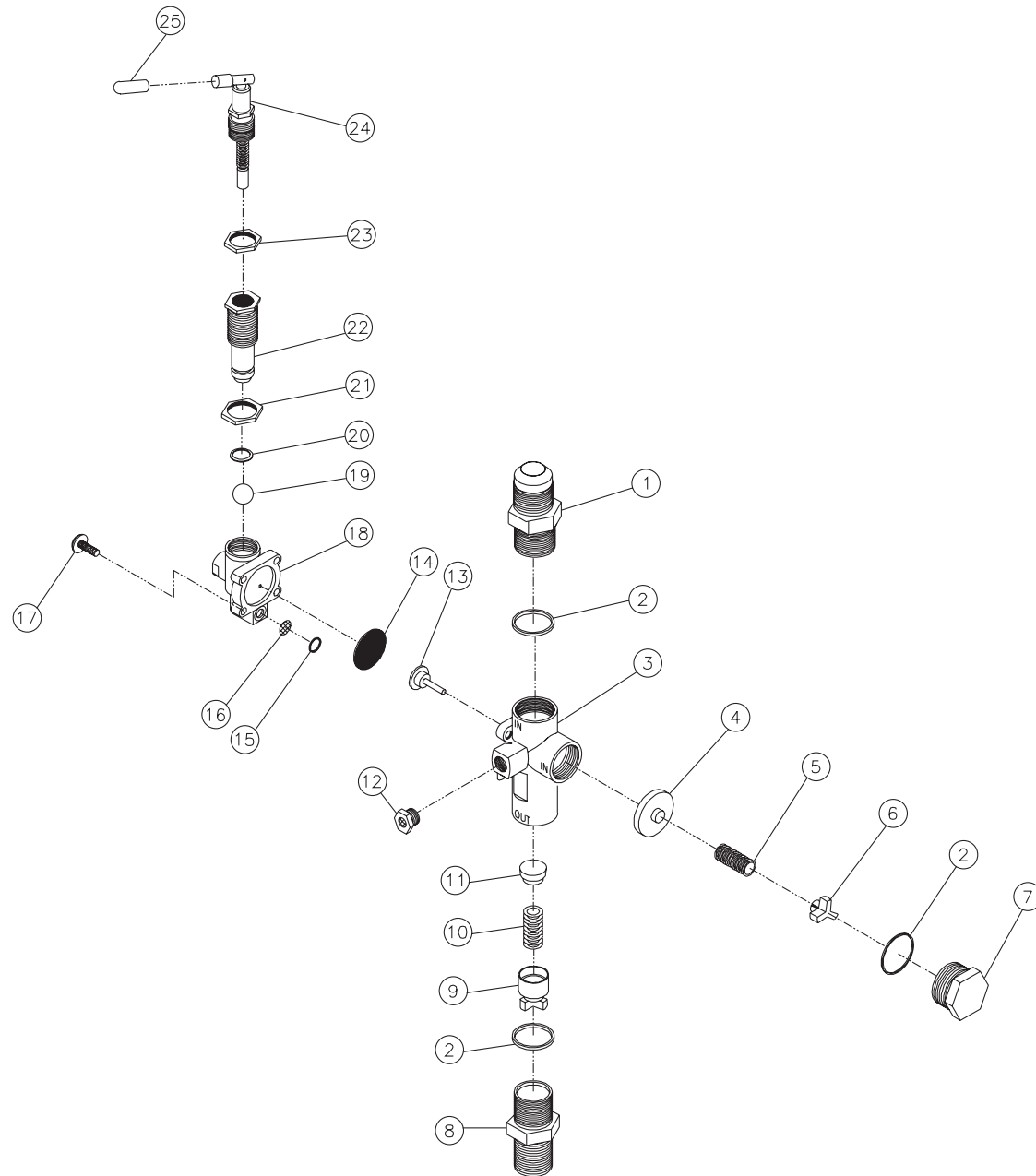
ALTERNATOR (32-0872)



32-0872 112614 RJA

32-0872 112614 RJA			
ALTERNATOR (32-0872)			
ITEM	DESCRIPTION	PART #	QTY
1	120V-30A RECEPTACLE	32-1081	1
2	END COVER - CAP ONLY	52-0098	1
3	PLUG	39-0234	1
4	CIRCUIT BREAKER	32-1083	1
5	ALTERNATOR CAP	52-0075	1
6	TERMINAL SPADE	32-0878	4
7	TERMINAL PLUG	52-0077	1
8	SCREW	27-8187	2
9	LOCKWASHER	29-1013	2
10	TERMINAL RING	32-0002	2
11	CAPACITOR	32-0873	1
12	NUT	30-0058	4
13	LOCKWASHER	29-0110	4
14	BRACKET	52-0094	1
15	FAN	52-0093	1
16	FLANGE	52-0097	1
17	BOLT	27-8032	4
18	BRACKET	52-0095	1
19	SCREW	27-9593	2
20	NUT	30-6001	2
21	BEARING	52-0096	1
22	WASHER	28-0003	1
23	BOLT	27-9584	1
24	TERMINAL FORK	32-0034	3

PILOT VALVE (22-0270)



22-0270-062905-DLG

PILOT VALVE (22-0270)			
REF #	DESCRIPTION	PART #	QTY
1	Inlet Port Fitting	N/A	1
2	O-ring (See 70-0241)	N/A Sep.	3
3	Main Body	N/A	1
4	Piston Assembly-Unloader Valve (See 70-0241)	N/A Sep.	1
5	Spring-Unloader Valve (See 70-0241)	N/A Sep.	1
6	Spring Seat-Unloader Valve	N/A	1
7	Cap	N/A	1
8	Discharge Port Fitting	N/A	1
9	Spring Seat Assembly-Check Valve	N/A	1
10	Spring-Check Valve (See 70-0241)	N/A Sep.	1
11	Piston-Check Valve (See 70-0241)	N/A Sep.	1
12	Muffler	23-0419	1
13	Stem Unloader (See 70-0241)	N/A Sep.	1
14	Diaphragm (See 70-0241)	N/A Sep.	1
15	O-ring (See 70-0241)	N/A Sep.	1
16	Screen (See 70-0241)	N/A Sep.	1
17	Screw w/Washer	N/A	4
18	Pilot Body	N/A	1
19	Ball (See 70-0241)	N/A Sep.	1
20	O-ring (See 70-0241)	N/A Sep.	1
21	Differential Adjusting Locknut	N/A	1
22	Differential Adjusting Nut	N/A	1
23	Pressure Adjusting Locknut	N/A	1
24	Pressure Adjusting Toggle Assembly (See 70-0241)	N/A Sep.	1
25	Red Toggle Cover	N/A	1
	Repair Kit (Includes 4-5, 10-11, 13-16, 19-20, 24 and 3 each 2)	70-0241	

Manufactured by Mi-T-M
50 Mi-T-M Drive, Peosta IA 52068
563-556-7484/ Fax 563-556-1235