



PARTS LIST FOR
AIR COMPRESSOR
ACS-23105-80HM/VM
ACS-20305-80HM/VM
ACS-23305-80HM/VM
ACS-46305-80HM/VM
ACS-23175-80HM/VM
ACS-20375-80HM/VM
ACS-23375-80HM/VM
ACS-46375-80HM/VM

(AFTER SERIAL #20107354)

MAXIMUM PRESSURE:	175 PSI
COMPRESSOR OIL GRADE:	SAE30W NON-DETERGENT
COMPRESSOR OIL CAPACITY:	48 oz.

This Parts Listing has been compiled for your benefit. You can be assured your Mi-T-M Gasoline Air Compressor was constructed and designed with quality and performance in mind. Each component has been rigorously tested to insure the highest level of acceptance. The contents of this Parts Listing are based on the latest product information available at the time of publication. Mi-T-M reserves the right to make changes in price, color, materials, equipment, specifications or models at any time without notice.

WARNING

THIS IS A PROFESSIONAL ELECTRIC AIR COMPRESSOR. CAUTION SHOULD BE OBSERVED WHEN USING OR REPAIRING THIS UNIT! READ AND FOLLOW THE SAFETY WARNINGS LISTED BELOW BEFORE ATTEMPTING ANY REPAIRS ON THIS AIR COMPRESSOR!

SAFETY WARNINGS

1. NEVER alter or modify the equipment. Be sure any accessory items and system components being used will withstand the pressure developed. Use only genuine Mi-T-M parts for repair of your air compressor. Failure to do so can cause hazardous operating conditions and will VOID warranty.
2. Know how to stop and bleed pressures quickly. Be thoroughly familiar with controls.
3. Before servicing the unit, turn unit off, relieve the pressure and allow the unit to cool down. Do not make repairs while the unit is running. Service in a clean, dry, flat area. Block the wheels to prevent the unit from moving. Be especially careful to properly dispose of any flammable materials.
4. After testing the machine, DO NOT leave the pressurized unit unattended. Shut off the unit and release trapped pressure before leaving.

Table of Contents

NOTES	4
SPECIFICATIONS.....	5
FLOW CHART	6
GENERAL THEORY OF OPERATION	7
ACS 80 GAL HORIZONTAL M SERIES.....	8
ACS 80 GAL VERTICAL M SERIES	10
CONTROL BOX (SIMPLEX).....	12
COMPRESSOR PUMP (3-0312).....	14
AFTERCOOLER 80 GALLON VERTICAL (IX-0002).....	16
ELECTRIC TANK DRAIN (IX-0006)	18
LOW OIL SHUTDOWN (IX-0008).....	19
TANK DRAIN OPTION - HORIZONTAL (IX-0057).....	20
TANK DRAIN OPTION - VERTICAL (IX-0058)	22
AFTERCOOLER 80 GALLON HORIZONTAL (IX-0052).....	24
WIRE SCHEMATIC (230V SINGLE PHASE) M SERIES (AFTER SERIAL #20107354).....	26
WIRE DIAGRAM (230V SINGLE PHASE) M SERIES (AFTER SERIAL #20107354).....	27
WIRING SCHEMATIC STARTER (230V SINGLE PHASE).....	28
WIRING DIAGRAM STARTER (230V SINGLE PHASE).....	29
WIRING SCHEMATIC (200-230V THREE PHASE) M SERIES (AFTER SERIAL #20107354).....	30
WIRING DIAGRAM (200-230V THREE PHASE) M SERIES (AFTER SERIAL #20107354).....	31
WIRING SCHEMATIC STARTER (200-230V THREE PHASE).....	32
WIRING DIAGRAM STARTER (200-230V THREE PHASE).....	33
WIRING SCHEMATIC (460V THREE PHASE) M SERIES (AFTER SERIAL #20107354).....	34
WIRING DIAGRAM (460V THREE PHASE) M SERIES (AFTER SERIAL #20107354).....	35
WIRING SCHEMATIC STARTER (460V THREE PHASE).....	36
WIRING DIAGRAM STARTER (460V THREE PHASE).....	37

NOTES

SERIAL NUMBER BREAK

DATE

REASON

#20107354

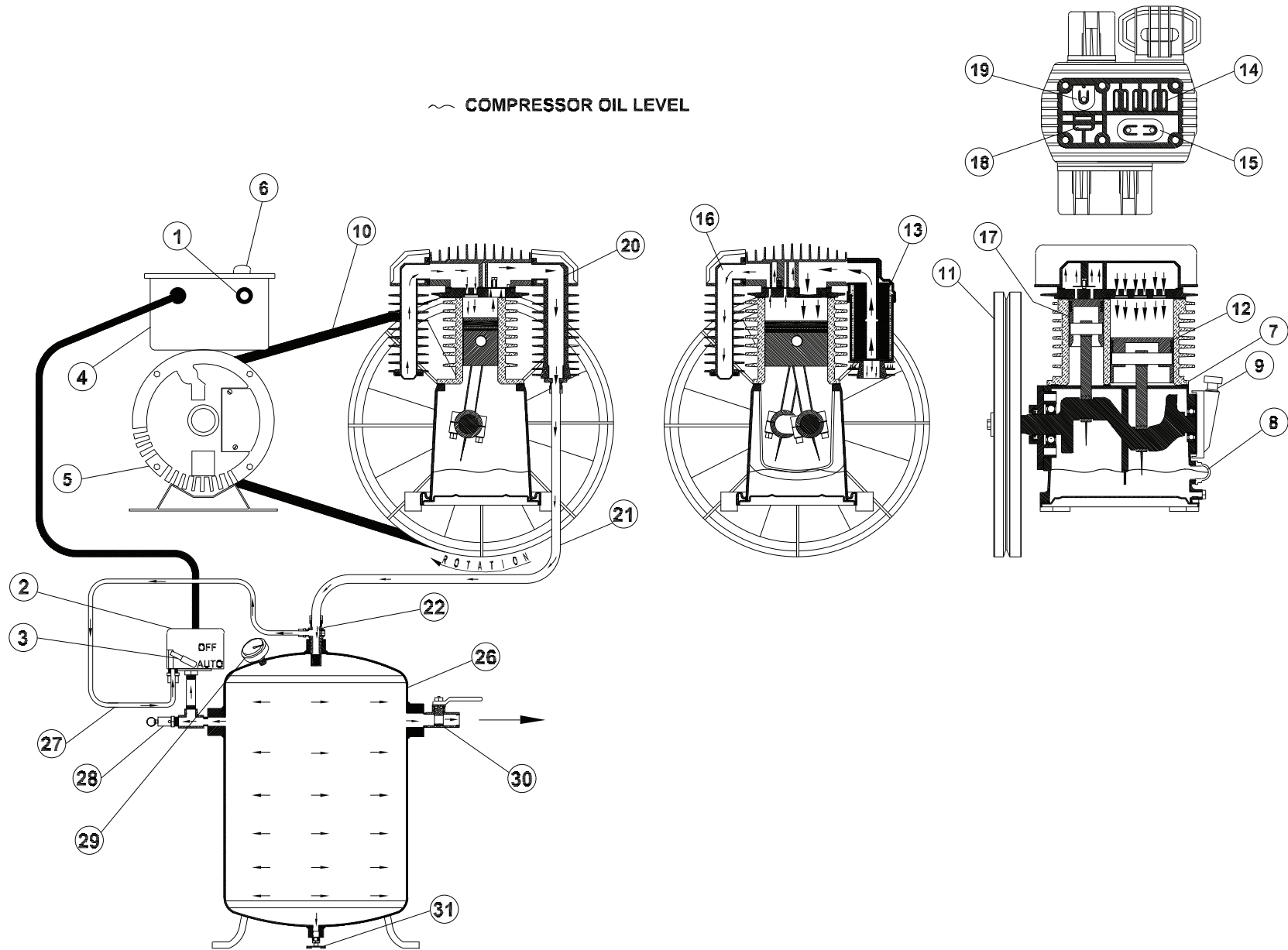
10/05/2009

WIRING CHANGE DUE TO SWITCH

SPECIFICATIONS

MODEL NUMBER	ACS-23105-80HM/80VM	ACS-20305-80HM/80VM	ACS-23305-80HM/80VM	ACS-46305-80HM/80VM	ACS-23175-80M/80VM	ACS-20375-80HM/80VM	ACS-23375-80HM/80VM	ACS-46375-80HM/80VM
MOTOR:								
Horsepower	5HP	5HP	5HP	5HP	7.5HP	7.5HP	7.5HP	7.5HP
Voltage	230V	200V	230V	460V	230V	200V	230V	460V
Amperage	23A	16.1A	13.8A	6.9A	31A	23A	20A	10A
HZ	60	60	60	60	60	60	60	60
Phase	1	3	3	3	1	3	3	3
RPM	1750							
Compressor Pump:								
Number of Cylinders	2							
Compression Stages	2							
First Stage Bore	2.17							
Second Stage Bore	3.94							
Stroke	3.39							
RPM	1250							
Flywheel	16.5"							
Lubrication	Splash							
Oil Capacity	64 oz.							
Oil Type	30 W Non Detergent							
Crankcase	Cast Iron							
Bearings	Ball							
Cylinder	Cast Iron							
Valves	Reed							
Head	Cast Iron							
Filter	Canister							
AIR TANK:								
Capacity	80 gallons							
PERFORMANCE:								
CFM Air Displacement	29.81				25.81			
CFM @ 40 PSI	20.9				26.1			
CFM @ 100 PSI	19.5				24.7			
CFM @ 175 PSI	18.0				23.2			
Maximum Pressure	175 PSI							
Pump-up Time: 0-175 PSI	7 minutes and 11 seconds				5 minutes and 23 seconds			
Recovery Time: 145-175 PSI	1 minute and 38 seconds				57 seconds			
WEIGHT:								
Net	555 lbs				720 lbs			
Shipping	615 lbs				780 lbs			
DIMENSIONS:								
Basic L x W x H	H-52" x 26.5" x 53" V-33" x 25" x 73"							
Shipping L x W x H	H-57.25" x 35.5" x 53" V-46" x 46" x 73"							

FLOW CHART

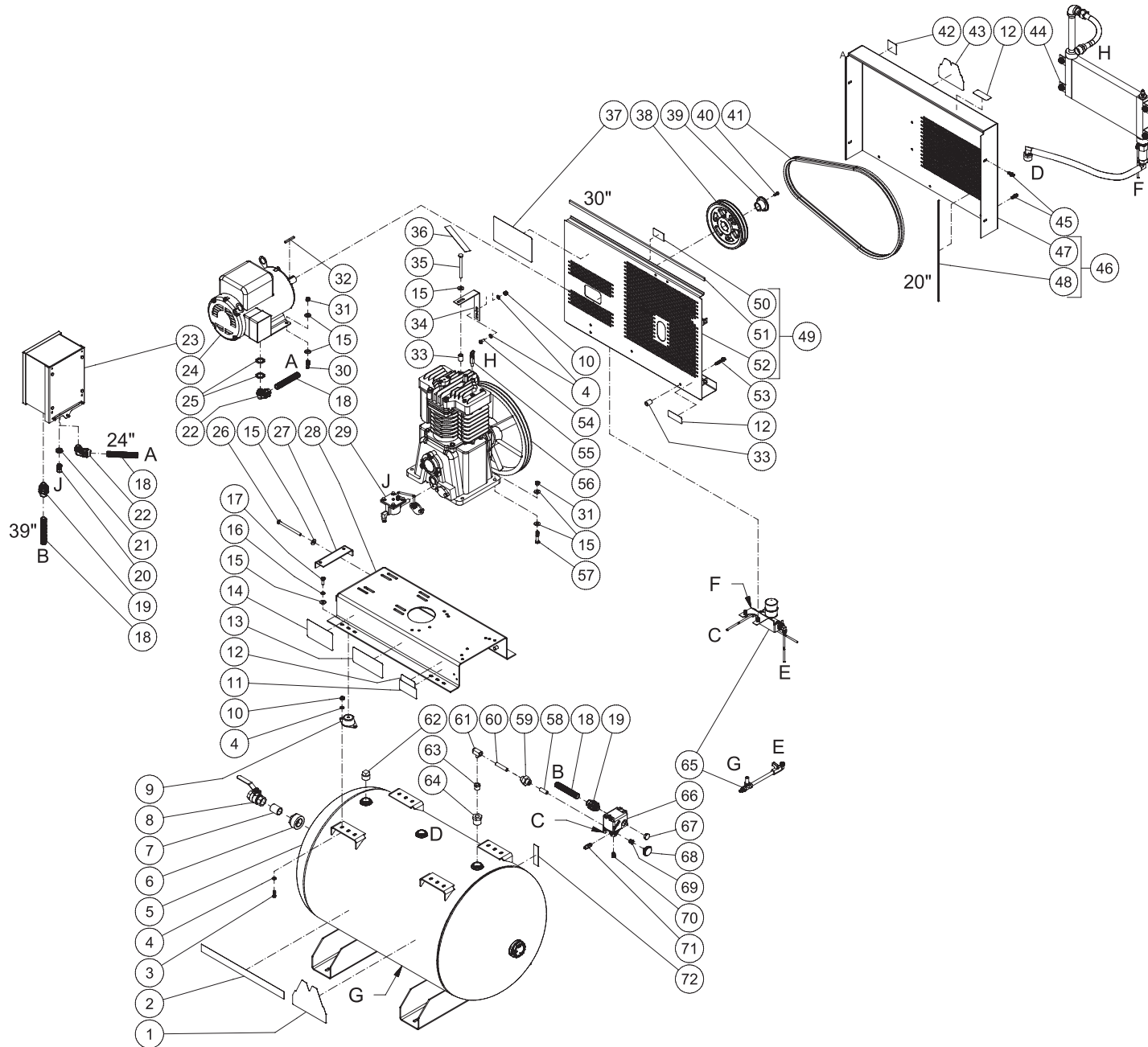


OMAC0061A-021809

GENERAL THEORY OF OPERATION

1. The POWER SUPPLY (1) sends the electrical supply to the PRESSURE SWITCH (2). When the PRESSURE SWITCH LEVER (3) is in the "AUTO" position, power is supplied to the CONTACTOR (4) which starts the ELECTRIC MOTOR (5) which is protected from electrical overloads by the MANUAL RESET BUTTON (6).
2. The COMPRESSOR PUMP (7) is lubricated by oil. The oil level should be checked before each use by viewing the COMPRESSOR PUMP OIL SIGHTGLASS (8). If the oil level is low, add SAE-30W non-detergent oil to the COMPRESSOR PUMP OIL FILL PORT (9).
3. When the unit is operating, the V-BELT (10) turns the COMPRESSOR PUMP FLYWHEEL (11) which rotates the crankshaft and moves the pistons.
4. As the FIRST STAGE PISTON (12) moves down, air is drawn in through the INLET AIR FILTER (13). Then through the FIRST STAGE INLET REED VALVE (14) and into the first stage piston chamber. At the same time, the FIRST STAGE OUTLET REED VALVE (15) is closed. This allows air to fill the first stage piston chamber.
5. As the FIRST STAGE PISTON (12) moves upward, the FIRST STAGE INLET REED VALVE (14) closes. The FIRST STAGE OUTLET REED VALVE (15) opens allowing the compressed air to flow into the INTERCOOLER (16) and into the second stage.
6. As the SECOND STAGE PISTON (17) moves down, the first stage compressed air is drawn in through the SECOND STAGE INLET REED VALVES (18) and into the second stage piston chamber. At the same time, the SECOND STAGE OUTLET REED VALVES (19) is closed.
7. As the SECOND STAGE PISTON (17) moves upward, the SECOND STAGE INLET REED VALVES (18) closes. The SECOND STAGE OUTLET REED VALVES (19) opens allowing the compressed air to flow into the AFTERCOOLER (20) and DISCHARGE LINE (21).
8. STANDARD START/STOP FEATURE:
 1. The compressed air opens the CHECK VALVE (22) and moves into the AIR TANK (26). When the pressure in the AIR TANK (26) reaches the maximum pressure setting of the PRESSURE SWITCH (2), the ELECTRIC MOTOR (5) stops and the CHECK VALVE (22) will close.
 2. The pressurized air remaining in the PUMP DISCHARGE LINE (21) exits through the PRESSURE SWITCH BLEND-OFF LINE (27) so the ELECTRIC MOTOR (5) can restart under a no-load condition.
9. The SAFETY RELIEF VALVE (28) protects the system from any overpressure conditions.
10. The TANK PRESSURE GAUGE (29) indicates tank pressure. The air exits through the OUTLET FITTING (30).
11. The PRESSURE SWITCH LEVER (3) stops the ELECTRIC MOTOR (5) when moved to the "OFF" position.
12. When the PRESSURE SWITCH LEVER (3) is in the "OFF" position, compressed air should be released from the AIR TANK (26) by opening the attached air tool or by pulling on the SAFETY RELIEF VALVE (28). When the TANK PRESSURE GAUGE (29) registers less than 10 PSI, drain the condensation from the AIR TANK (26) by opening the TANK DRAIN (31).

ACS 80 GAL HORIZONTAL M SERIES

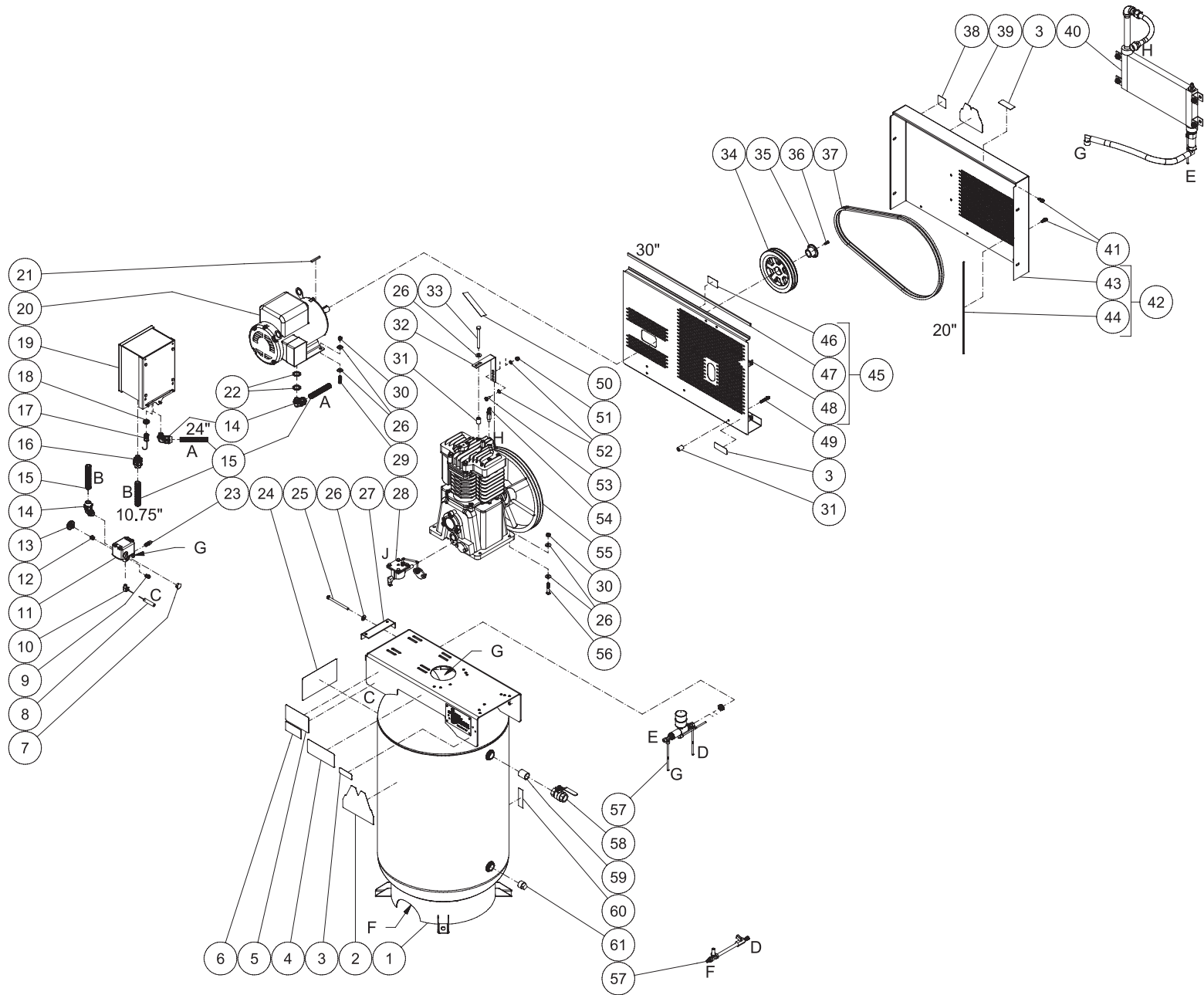


ACS 80 GAL HORIZONTAL M SERIES 120816 JJR

FRAME ASSEMBLY							
ITEM	DESCRIPTION	PART #	QTY	ITEM	DESCRIPTION	PART #	QTY
1	DECAL - Mi-T-M	34-2170	1	33	SPACER	33-0425	5
2	DECAL - MI-T-M STRIPE	34-2189	1	34	BELTGUARD STABILIZER	20-1031A01	2
3	BOLT	27-0067	8	35	BOLT	27-8071	2
4	WASHER	28-0003	24	36	DECAL - CHECK OIL	N/A	1
5	TANK ASSEMBLY	12-0208A01	1	37	DECAL - CAUTION/WARNING/DANGER (SEE 71-0083)	N/A	1
6	REDUCER	24-0233	1	38	SHEAVE (ACS-23105, ACS-20305, ACS-23305, ACS-46305)	10-0007	1
7	NIPPLE	24-0200	1	-	SHEAVE (ACS-23175, ACS-20375, ACS-23375, ACS-46375)	10-0040	1
8	BALL VALVE	22-0344	1	39	BUSHING (ACS-23105, ACS-20305, ACS-23305, ACS-46305)	9-0010	1
9	ISOLATOR	14-0109	4	-	BUSHING (ACS-23175, ACS-20375, ACS-23375, ACS-46375)	9-0008	1
10	LOCKNUT	30-0157	12	40	BOLT	27-0015	2
11	DECAL - SILVER STICKER	N/A	1	41	BELT (ACS-23105, ACS-20305, ACS-23305, ACS-46305)	11-0077	2
12	DECAL - RISK OF BURNS (SEE 71-0083)	N/A	3	-	BELT (ACS-23175, ACS-20375, ACS-23375, ACS-46375)	11-0092	2
13	DECAL - OPERATING INSTRUCTIONS (SEE 71-0083)	N/A	1	42	DECAL - ROTATION DIRECTION (SEE 71-0083) (3-PHASE)	N/A	1
14	DECAL-IND A/C MAINTENANCE (SEE 71-0083)	N/A	1	43	DECAL - Mi-T-M	34-2169	1
15	WASHER	28-0023	24	44	AFTERCOOLER OPTION	IX-0052	1
16	LOCKWASHER	29-0008	4	45	BOLT	27-9524	7
17	BOLT	27-0117	4	46	BELTGUARD FRONT ASSEMBLY (INC. 47, 48)	854-0107	1
18	CONDUIT FLEX *(SIX FEET REQUIRED)	32-0253	1	47	BELTGUARD FRONT PANEL (SEE 854-0097)	N/A	1
-	CONDUIT FLEX 1/2" BLACK *(TWO FEET REQUIRED) (ACS-23175)	32-0253	1	48	EDGING *(TWO FEET REQUIRED)	33-0423	1
-	CONDUIT FLEX 3/4" BLACK *(FOUR FEET REQUIRED) (ACS-23175)	32-0486	1	49	BELTGUARD BACK ASSEMBLY (INC. 50-52)	854-0106	1
19	CONDUIT FITTING	32-0255	2	50	DECAL - BELTGUARD IN PLACE (SEE 71-0083)	N/A	1
20	STRAIN RELIEF	32-0586	1	51	EDGING *(THREE FEET REQUIRED)	33-0020	1
21	ELECTRICAL LOCKNUT	32-0587	1	52	BELTGUARD BACK (SEE 854-0106)	N/A	1
22	CONDUIT ELBOW	32-0254	2	53	BOLT	27-9529	3
-	CONDUIT ELBOW - 3/4" (ACS-23175)	32-0487	2	54	BOLT	27-0066	4
-	LOCKNUT ELECT 3/4"-DIECAST (ACS-23175)	32-0292	2	55	SAFETY VALVE	22-0453	1
23	CONTROL BOX - SIMPLEX	N/A SEP	1	56	PUMP	3-0312	1
24	MOTOR (ACS-23105)	2-0173	1	57	BOLT	27-0121	4
-	MOTOR (ACS-20305)	2-0177	1	58	NIPPLE	24-0313	1
-	MOTOR (ACS-23305, ACS-46305)	2-0175	1	59	UNION	24-0317	1
-	MOTOR (ACS-23175)	2-0162	1	60	NIPPLE	24-0314	1
-	MOTOR (ACS-20375)	2-0163	1	61	TEE	23-0015	1
-	MOTOR (ACS-23375, ACS-46375)	2-0164	1	62	PLUG	24-0219	1
25	WASHER (ACS-23105, ACS-20305, ACS-23305, ACS-46305)	32-0814	2	63	REDUCER	23-0056	1
-	WASHER (ACS-23175)	32-0603	2	64	REDUCER	23-0226	1
-	WASHER (ACS-20375, ACS23375, ACS-46375)	32-1002	2	65	TANK DRAIN OPTION	IX-0057	1
26	BOLT	27-0133	2	66	PRESSURE SWITCH	22-0416	1
27	BELT TENSIONER PLATE	20-1036A01	1	67	PLUG	39-0014	1
28	BASEPLATE	5-0281A01	1	68	PRESSURE GAUGE	22-0271	1
29	LOW OIL SHUTDOWN OPTION	IX-0008	1	69	REDUCER	23-0111	1
30	BOLT	27-0118	4	70	PLUG	24-0009	1
31	LOCKNUT	30-0159	8	71	PRESSURE RELIEF VALVE	22-0267	1
32	KEY (ACS-43105, ACS-20305, ACS-23305, ACS-46305)	43-0078	1	72	DECAL - TANK DRAIN (SEE 71-0083)	N/A	1
-	KEY (ACS-23175, ACS20375, ACS23375, ACS-46375)	W/9-0008	1	-	DECAL SET - SIMPLEX	71-0083	1

*MUST ORDER IN ONE FOOT LENGTHS

ACS 80 GAL VERTICAL M SERIES



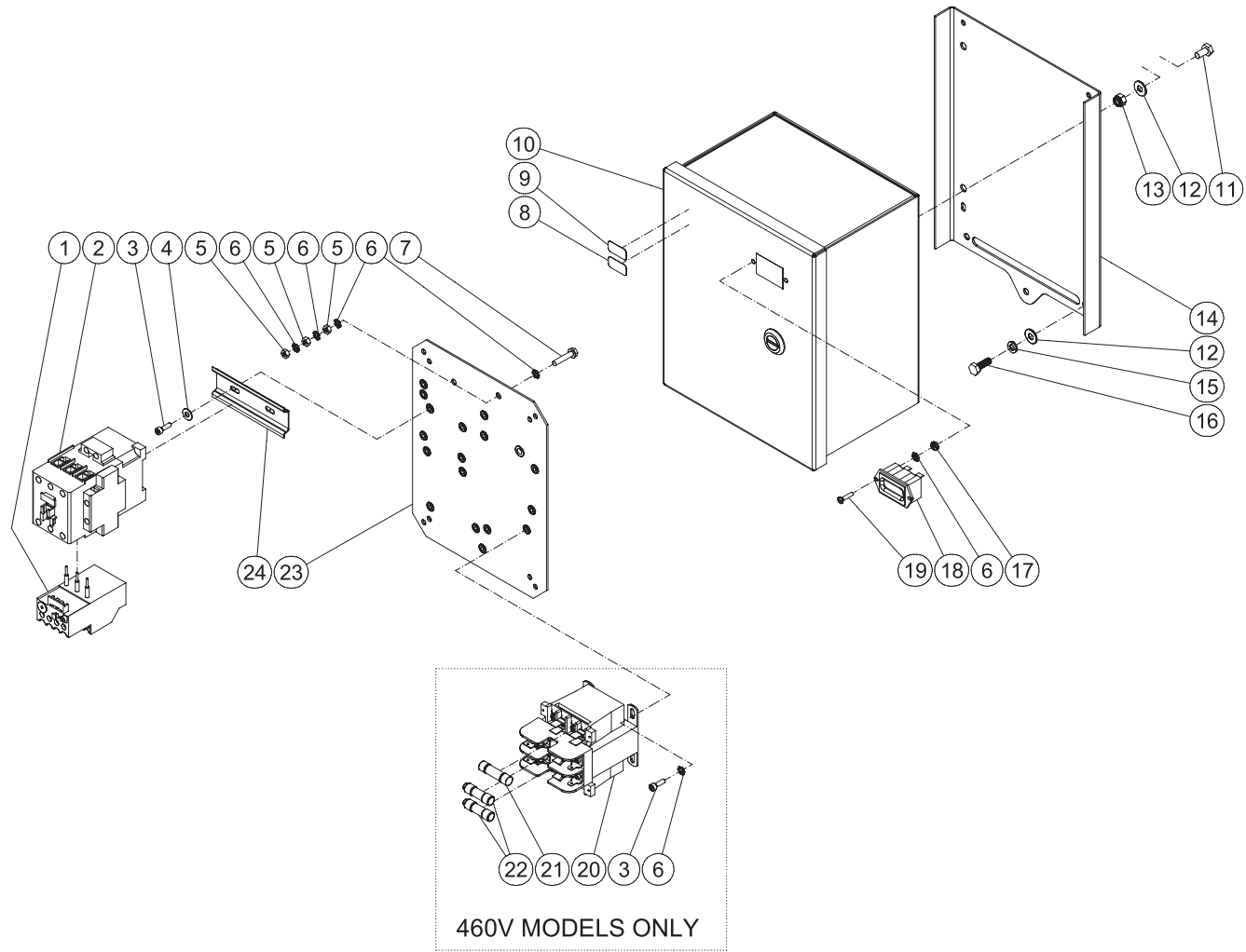
ACS 80 GALLON VERTICAL M SERIES 120616 JJR

TANK ASSEMBLY

ITEM	DESCRIPTION	PART #	QTY	ITEM	DESCRIPTION	PART #	QTY
1	TANK ASSEMBLY	12-0203A01	1	27	BELT TENSIONER PLATE	20-1036A01	1
2	DECAL - MI-T-M	34-2170	1	28	LOW OIL SHUTDOWN OPTION	IX-0008	1
3	DECAL - RISK OF BURNS (SEE 71-0083)	N/A	3	29	BOLT	27-0118	4
4	DECAL - OPERATING INSTRUCTIONS (SEE 71-0083)	N/A	1	30	LOCKNUT	30-0159	8
5	DECAL-IND A/C MAINTENANCE (SEE 71-0083)	N/A	1	31	SPACER	33-0425	5
6	DECAL- SILVER STICKER	N/A	1	32	BELTGUARD STABILIZER	20-1031A01	2
7	PLUG	39-0014	1	33	BOLT	27-8071	2
8	NIPPLE	24-0314	1	34	SHEAVE (ACS-23105, ACS-20305, ACS-23305, ACS-46305)	10-0007	1
9	PLUG	24-0009	1	-	SHEAVE (ACS-23175, ACS-20375, ACS-23375, ACS-46375)	10-0040	1
10	ELBOW	23-0014	1	35	BUSHING (ACS-23105, ACS-20305, ACS-23305, ACS-46305)	9-0010	1
11	PRESSURE SWITCH	22-0416	1	-	BUSHING (ACS-23175, ACS-20375, ACS-23375, ACS-46375)	9-0008	1
12	REDUCER	23-0111	1	36	BOLT	27-0015	2
13	PRESSURE GAUGE	22-0271	1	37	BELT (ACS-23105, ACS-20305, ACS-23305, ACS-46305)	11-0077	2
14	CONDUIT ELBOW	32-0254	3	-	BELT (ACS-23175, ACS-20375, ACS-23375, ACS-46375)	11-0092	2
-	CONDUIT ELBOW - 1/2"	32-0254	1	38	DECAL - ROTATION DIRECTION (SEE 71-0083)	N/A	1
-	CONDUIT ELBOW - 3/4"	32-0487	2	39	DECAL - MI-T-M	34-2169	1
-	LOCKNUT ELECT 3/4"-DIECAST	32-0292	2	40	AFTERCOOLER OPTION	IX-0002	1
15	CONDUIT FLEX *(THREE FEET REQUIRED)	32-0253	1	41	BOLT	27-9524	7
-	CONDUIT FLEX 1/2" BLACK *(ONE FOOT REQUIRED)	32-0253	1	42	BELTGUARD FRONT ASSEMBLY (INC. 43, 44)	854-0170	1
-	CONDUIT FLEX 3/4" BLACK *(TWO FEET REQUIRED)	32-0486	1	43	BELTGUARD FRONT PANEL (SEE 854-0097)	N/A	1
16	CONDUIT FITTING	32-0255	1	44	EDGING *(TWO FEET REQUIRED)	33-0423	1
17	STRAIN RELIEF	32-0586	1	45	BELTGUARD BACK ASSEMBLY (INC. 46-48) *(FOUR FEET REQUIRED)	854-0106	1
18	ELECTRICAL LOCKNUT	32-0587	1	46	DECAL - BELTGUARD IN PLACE (SEE 71-0083)	N/A	1
19	CONTROL BOX - SIMPLEX	N/A SEP	1	47	EDGING *(THREE FEET REQUIRED)	33-0020	1
20	MOTOR (ACS-23105)	2-0173	1	48	BELTGUARD BACK (SEE 854-0106)	6-0129A01	1
-	MOTOR (ACS-20305)	2-0177	1	49	BOLT	27-9529	3
-	MOTOR (ACS-23305, ACS-46305)	2-0175	1	50	DECAL - CHECK OIL	N/A	1
-	MOTOR (ACS-23175)	2-0162	1	51	LOCKNUT	30-0157	4
-	MOTOR (ACS-20375)	2-0163	1	52	WASHER	28-0003	8
-	MOTOR (ACS-23375, ACS-46375)	2-0164	1	53	BOLT	27-0066	4
21	KEY (ACS-23105, ACS-20305, ACS-23305, ACS46305)	43-0078	1	54	SAFETY VALVE	22-0453	1
-	KEY (ACS-23175, ACS-20375, ACS-23375, ACS-46375)	W/9-0008	1	55	PUMP	3-0312	1
22	WASHER (ACS-23105, ACS-20305, ACS-23305, ACS-46305)	32-0814	2	56	BOLT	27-0121	4
-	WASHER (ACS-23175)	32-0603	2	57	TANK DRAIN-80 GAL HORIZ-M SERIES & COMBO OPTION	IX-0058	1
-	WASHER (ACS-20375, ACS-23375, ACS-46375)	32-1002	2	58	BALL VALVE	22-0344	1
23	PRESSURE RELIEF VALVE	22-0267	1	59	NIPPLE	24-0200	1
24	DECAL - CAUTION/WARNING/DANGER (SEE 71-0083)	N/A	1	60	DECAL - TANK DRAIN (SEE 71-0083)	N/A	1
25	BOLT	27-0133	2	61	PLUG	24-0219	1
26	WASHER	28-0023	20	-	DECAL SET - SIMPLEX	71-0083	1

*MUST ORDER IN ONE FOOT LENGTHS

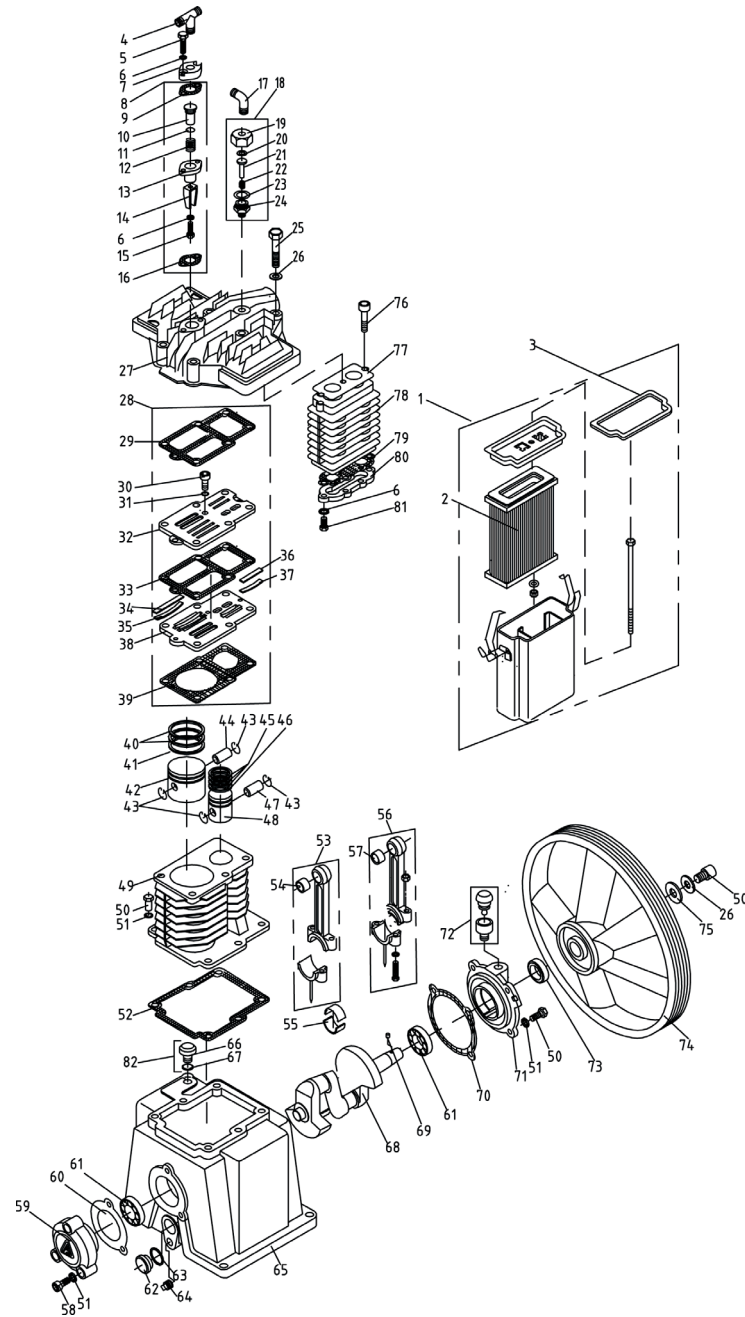
CONTROL BOX (SIMPLEX)



CONTROL BOX - SIMPLEX 112116 JJR

CONTROL BOX - SIMPLEX 112116 RJA			
CONTROL BOX (SIMPLEX)			
ITEM	DESCRIPTION	PART #	QTY
1	OVERLOAD RELAY (ACS-23105, ACS-20375	32-1076	1
-	OVERLOAD RELAY (ACS-20305, ACS-23375, AES-46315	32-1075	1
-	OVERLOAD RELAY (ACS-23305, ADS-46310	32-0482	1
-	OVERLOAD RELAY (ACS-46305, ACS-46375	32-0481	1
-	OVERLOAD RELAY (ACS-23175, ADS-20310, AES-23315	32-0485	1
-	OVERLOAD RELAY (ADS-23110, AES-20315)	32-0490	1
-	OVERLOAD RELAY (ADS-23310)	32-1074	1
2	CONTACTOR (ACS-23105, ACS-20375, ADS-23310)	32-0945	1
-	CONTACTOR (ACS-20305, ACS-23375)	32-0235	1
-	CONTACTOR (ACS-23305)	32-0237	1
-	CONTACTOR (ACS-46305, ACS-46375, ADS-46310)	32-0327	1
-	CONTACTOR (ACS-23175, ADS-20310, AES-23315)	32-0232	1
-	CONTACTOR (ADS-23110, AES-20315)	32-0700	1
-	CONTACTOR (AES-46315)	32-0329	1
3	SCREW	27-8835	4
4	WASHER	28-0001	2
5	NUT	30-6001	3
6	STAR WASHER	28-1009	8
7	BOLT	27-8807	1
8	DECAL - 3 PHASE (SEE 71-0085)	N/A	1
9	DECAL - 230 VOLT (SEE 71-0085)	N/A	1
-	DECAL - 208V	N/A	1
-	DECAL - 460V	N/A	1
10	ELECTRIC BOX - STEEL - 8X10X6	32-1003	1
11	BOLT	27-0014	4
12	WASHER	28-0002	7
13	LOCKNUT	30-0155	4
14	MOUNTING PLATE	20-1037A01	1
15	LOCKWASHER	29-0006	3
16	BOLT	27-0015	3
17	NUT	30-0052	2
18	HOUR METER	32-0668	1
19	SCREW	27-8881	2
20	TRANSFORMER	32-0313	1
21	FUSE	32-0323	1
22	FUSE	32-0467	2
23	CONTROL PANEL	20-0723A06	1
24	DIN RAIL *(ONE FOOT REQUIRED)	32-0316	1
*MUST ORDER IN ONE FOOT LENGTHS			

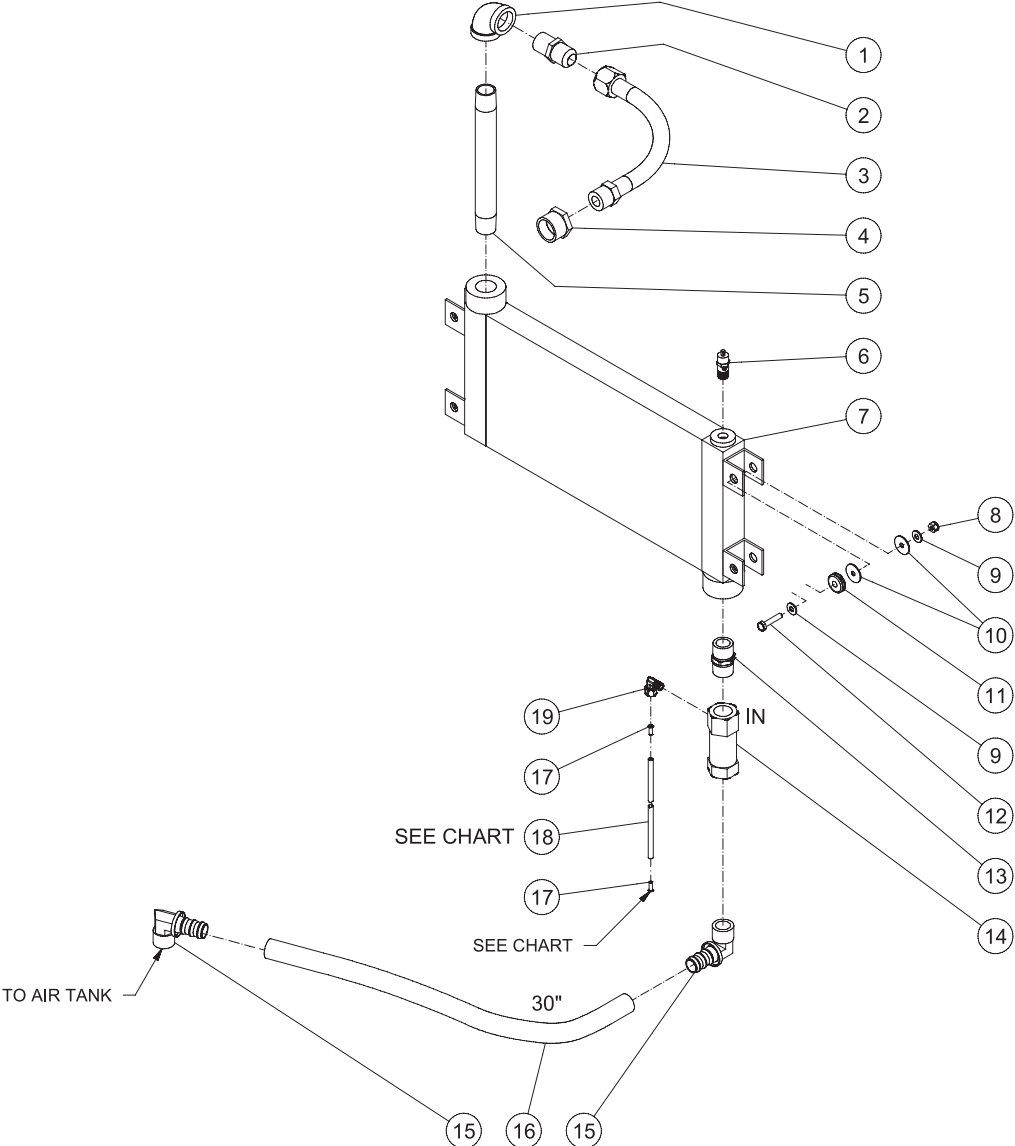
COMPRESSOR PUMP (3-0312)



3-0312 092210-PJH

PUMP ASSEMBLY							
ITEM	DESCRIPTION	Mi-T-M #	QTY	ITEM	DESCRIPTION	Mi-T-M #	QTY
1	AIR STRAINER ASS'Y	19-0257	1	43	PISTON SNAP RING	N/A	4
2	AIR STRAINER ELEMENT	19-0258	1	44	PISTON PIN (1ST)	N/A	1
3	AIR STRAINER COVER GASKET	N/A	1	45	COMPRESSION RING (2ND)	N/A	3
4	UNLOADER COPPER TEE	N/A	1	46	OIL CONTROL RING (2ND)	N/A	1
5	UNLOADER PUSH COVER BOLT; M6 X 25mm	N/A	2	47	PISTON PIN (2ND)	N/A	1
6	UNLOADER PUSH COVER SPRING WASHER; M6	N/A	7	48	PISTON (2ND)	N/A	1
7	UNLOADER PUSH COVER	N/A	1	49	CYLINDER	N/A	1
8	UNLOADER ASSEMBLY	8-0596	1	50	CYLINDER BOLT; M10 X 30mm	N/A	11
9	UNLOADER PUSH COVER GASKET	26-0328	1	51	CYLINDER COPPER WASHER; M10	N/A	13
10	UNLOADER PISTON	N/A	1	52	CYLINDER CRANKCASE GASKET	26-0329	1
11	VITON O-RING UNLOADER	N/A	1	53	CONNECTING ROD ASSEMBLY (1ST)	N/A	1
12	UNLOADER SPRING	N/A	1	54	CONNECTING ROD - PISTON PIN BUSHING (1ST)	N/A	1
13	UNLOADER CYLINDER	N/A	1	55	CONNECTING ROD CRANK PIN METAL (1ST)	N/A	4
14	UNLOADING FORK	N/A	1	56	CONNECTING ROD ASSEMBLY (2ND)	N/A	1
15	UNLOADER BOLT; M6 X 16mm	N/A	1	57	CONNECTING ROD - PISTON PIN NEEDLE BEARING (2ND)	N/A	1
16	UNLOADER GASKET	N/A	1	58	REAR BEARING COVER BOLT; M8 X 30mm	N/A	3
17	UNLOADING ELBOW	N/A	1	59	REAR BEARING COVER	N/A	1
18	UNLOADER ASSEMBLY	8-0597	1	60	REAR BEARING COVER GASKET	26-0332	1
19	UNLOADER PUSH COVER	N/A	1	61	FRONT & REAR BEARING	N/A	2
20	VITON O-RING UNLOADER	N/A	1	62	PLUG-IN OIL LEVEL GLASS	N/A	1
21	UNLOADER PISTON	N/A	1	63	OIL LEVEL GLASS GASKET	N/A	1
22	UNLOADER SPRING	N/A	1	64	CRANKCASE OIL PLUG	N/A	1
23	UNLOADER COPPER WASHER	N/A	1	65	CRANKCASE	N/A	1
24	UNLOADER BODY	N/A	1	66	OIL FILL CAP	N/A	1
25	CYLINDER HEAD BOLT; M10 X 85mm	N/A	6	67	O-RING (OIL FILL CAP)	N/A	1
26	CYLINDER HEAD SPRING WASHER; M10	N/A	7	68	CRANKSHAFT	N/A	1
27	CYLINDER HEAD	N/A	1	69	V-PULLY PIN	N/A	1
28	VALVE PLATE ASSEMBLY	70-0528	1	70	FRONT BEARING COVER GASKET	26-0330	1
29	CYLINDER HEAD - VALVE SEAT GASKET	N/A	1	71	FRONT BEARING COVER	N/A	1
30	VALVE SEAT BOLT; M5 X 12mm	N/A	3	72	BREATHER ASSEMBLY	46-1345	1
31	VALVE SEAT BOLT SPRING WASHER; M5	N/A	3	73	FRONT OIL SEAL	N/A	1
32	VALVE SEAT (UPPER)	N/A	1	74	COMPRESSOR PULLEY	N/A	1
33	VALVE SEAT GASKET	N/A	1	75	COMPRESSOR PULLEY THRUST WASHER	N/A	1
34	VALVE PLATE (1ST)	N/A	4	76	INTER-COOLER BOLT (UPPER)	N/A	3
35	VALVE PLATE SPRING (1ST)	N/A	4	77	INTER-COOLER BODY GASKET (UPPER)	N/A	1
36	VALVE PLATE (2ND)	N/A	2	78	INTER-COOLER BODY	N/A	1
37	VALVE PLATE SPRING (2ND)	N/A	2	79	INTER-COOLER BODY GASKET (BOTTOM)	26-0331	1
38	VALVE SEAT (BOTTOM)	N/A	1	80	INTER-COOLER BOTTOM COVER	N/A	1
39	CYLINDER-VALVE SEAT GASKET	N/A	1	81	INTER-COOLER BOLT (BOTTOM)	N/A	1
40	COMPRESSION RING (1ST)	N/A	2	82	OIL CAP KIT	70-0529	1
41	OIL CONTROL RING (1ST)	N/A	2	83	GASKET KIT (INCLUDES # 9, 16, 29, 33, 39, 52, 60, 70, 79)	70-0530	1
42	PISTON (1ST)	N/A	1				

AFTERCOOLER 80 GALLON VERTICAL (IX-0002)



SEE CHART

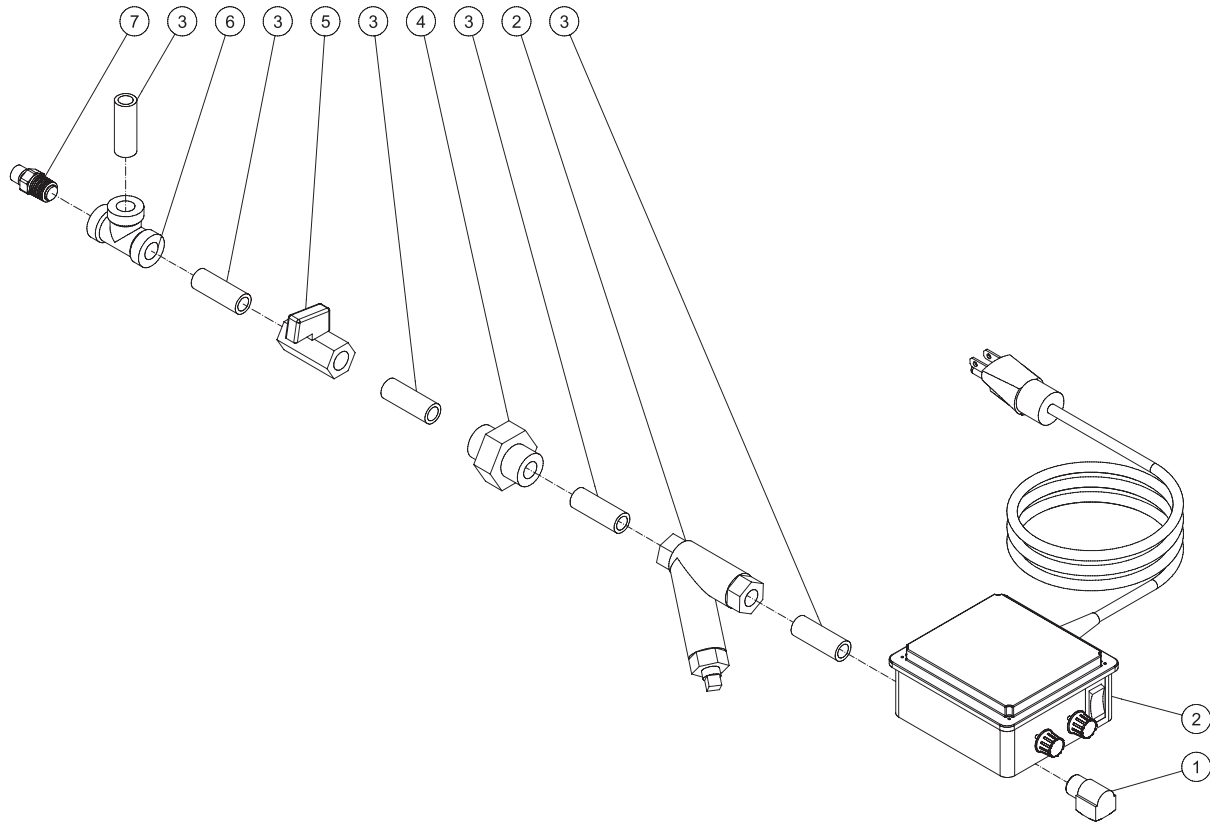
SEE CHART

NOTE: ZIP TIE HOSE (18) TO HOSE (16) WHEN ROUTING FOR M-SERIES AND COMBO OPTION W/ TANK DRAIN

IX-0002 111516 RJA

IX-0002 111516 RJA			
AFTERCOOLER 80 GALLON			
ITEM	DESCRIPTION	PART #	QTY
1	ELBOW	24-0102	1
2	ADAPTER	24-0321	1
3	HOSE	15-0285	1
4	REDUCER	23-0473	1
5	NIPPLE	24-0342	1
6	PRESSURE RELIEF VALVE	22-0267	1
7	AFTERCOOLER	33-0487	1
8	LOCKNUT	30-0155	4
9	WASHER	28-0002	8
10	WASHER	28-1064	8
11	GROMMET	33-0366	4
12	BOLT	27-0017	4
13	NIPPLE	23-0026	1
14	CHECK VALVE	22-0454	1
15	BARB	23-0482	2
16	HOSE *(THREE FEET REQUIRED)	15-0289	1
17	TUBE SUPPORT	23-0486	2
18	HOSE *(FORTY-SEVEN FEET REQUIRED)	15-0240	1
19	ELBOW	23-0316	1
*MUST ORDER IN ONE FOOT LENGTHS			

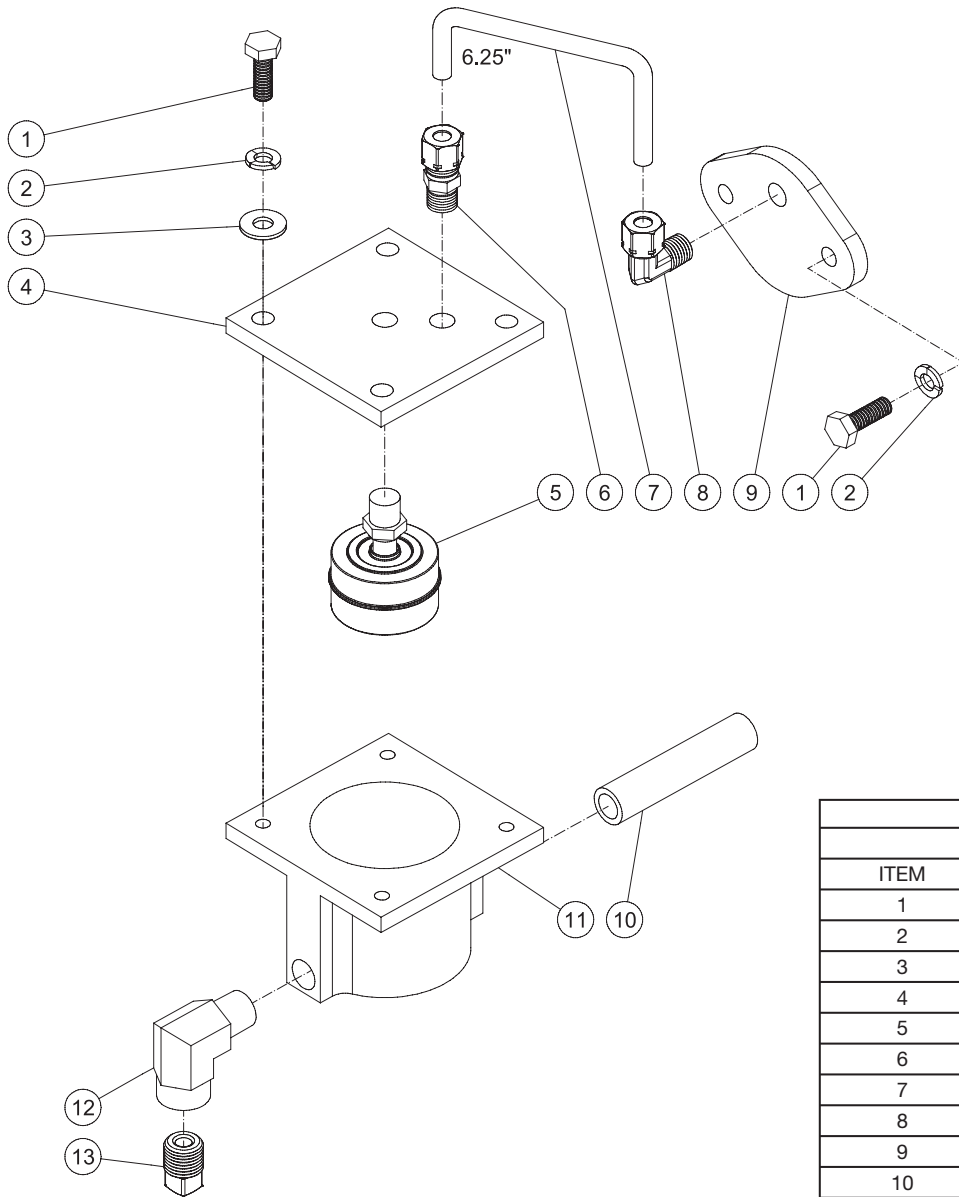
ELECTRIC TANK DRAIN (IX-0006)



IX-0006 112816 JJR			
ELECTRIC TANK DRAIN			
ITEM	DESCRIPTION	PART #	QTY
1	ELBOW	23-0014	1
2	ELECTRIC DRAIN	AT-4012-J	1
3	NIPPLE	24-0313	5
4	UNION	24-0317	1
5	BALL VALVE	22-0449	1
6	TEE	23-0067	1
7	PETCOCK	23-0312	1

IX-0006 112816 JJR

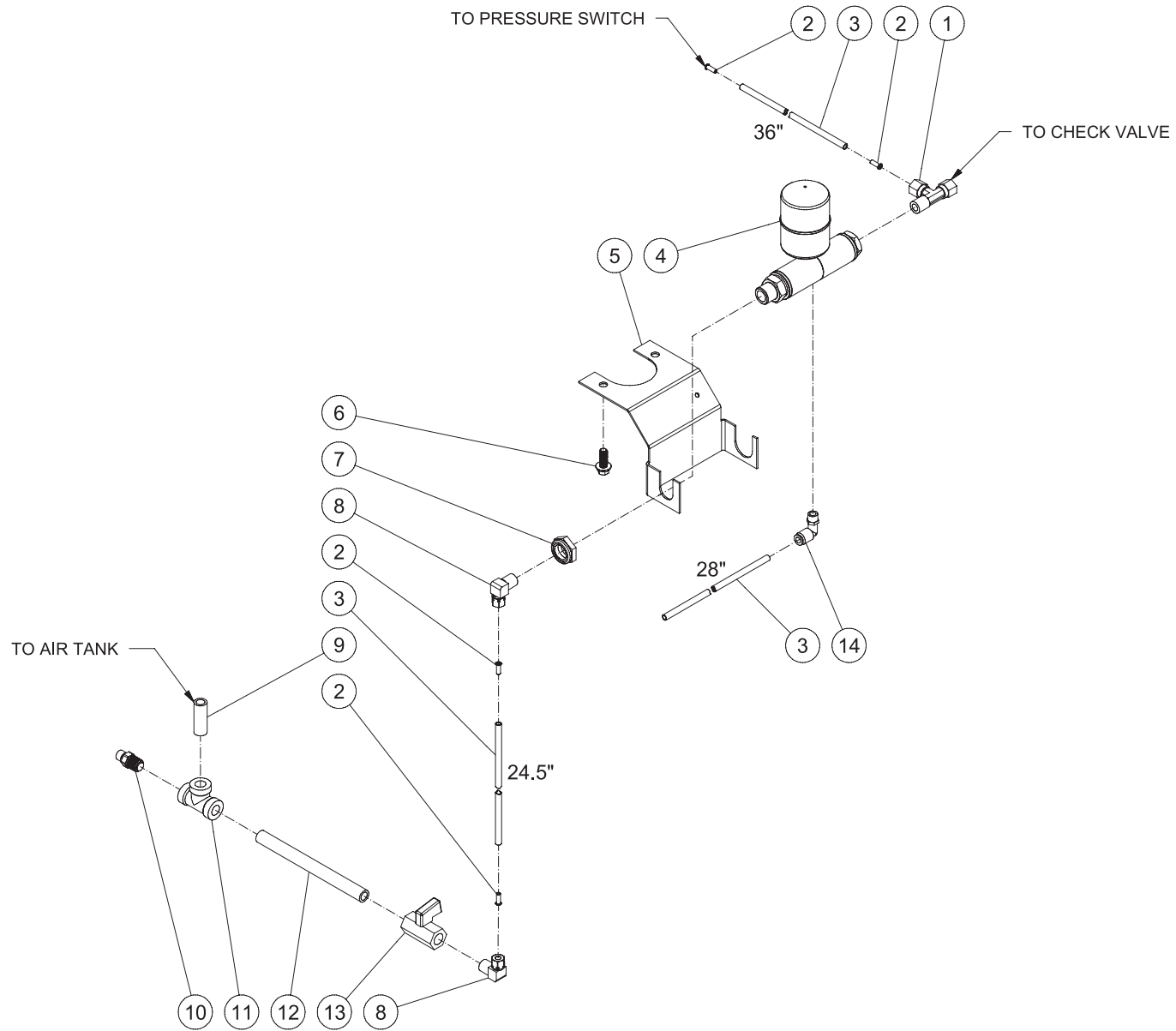
LOW OIL SHUTDOWN (IX-0008)



IX-0008 111716 RJA			
LOW OIL SHUTDOWN			
ITEM	DESCRIPTION	PART #	QTY
1	BOLT	27-0015	6
2	LOCKWASHER	29-0006	6
3	WASHER	28-0002	4
4	LID	56-0063	1
5	FLOAT	32-0998	1
6	ADAPTER	23-0328	1
7	COPPER TUBING *(ONE FOOT REQUIRED)	54-0034	1
8	ELBOW	23-0316	1
9	OIL PLATE	20-1125A01	1
10	NIPPLE	24-0314	1
11	OIL CANISTER	56-0062	1
12	ELBOW	24-0021	1
13	PLUG	24-0009	1
*MUST ORDER IN ONE FOOT LENGTHS			

IX-0008 111716 RJA

TANK DRAIN OPTION - HORIZONTAL (IX-0057)



IX-0057 111516 RJA

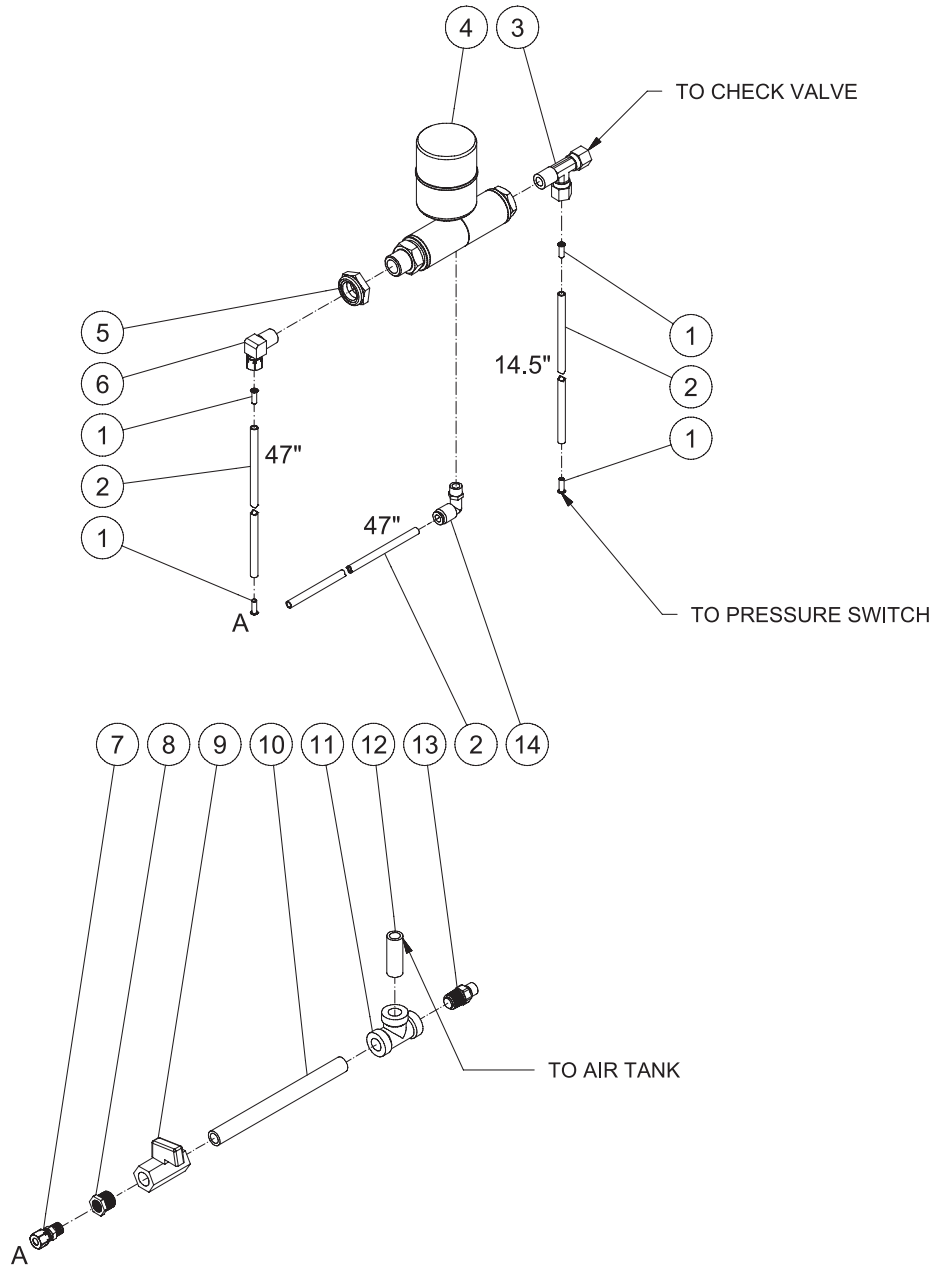
IX-0057 111516 RJA

TANK DRAIN OPTION - HORIZONTAL

ITEM	DESCRIPTION	PART #	QTY
1	TEE	23-0485	1
2	TUBE SUPPORT	23-0486	4
3	HOSE *(EIGHT FEET REQUIRED)	15-0240	1
4	PNEUMATIC DRAIN	22-0448	1
5	BRACKET	13-0197A01	1
6	BOLT	27-9524	2
7	NUT	30-0210	1
8	ADAPTER	23-0417	2
9	NIPPLE	24-0313	1
10	PETCOCK	23-0312	1
11	TEE	23-0067	1
12	NIPPLE	24-0315	1
13	BALL VALVE	22-0449	1
14	ELBOW	55-0104	1

*MUST ORDER IN ONE FOOT LENGTHS

TANK DRAIN OPTION - VERTICAL (IX-0058)



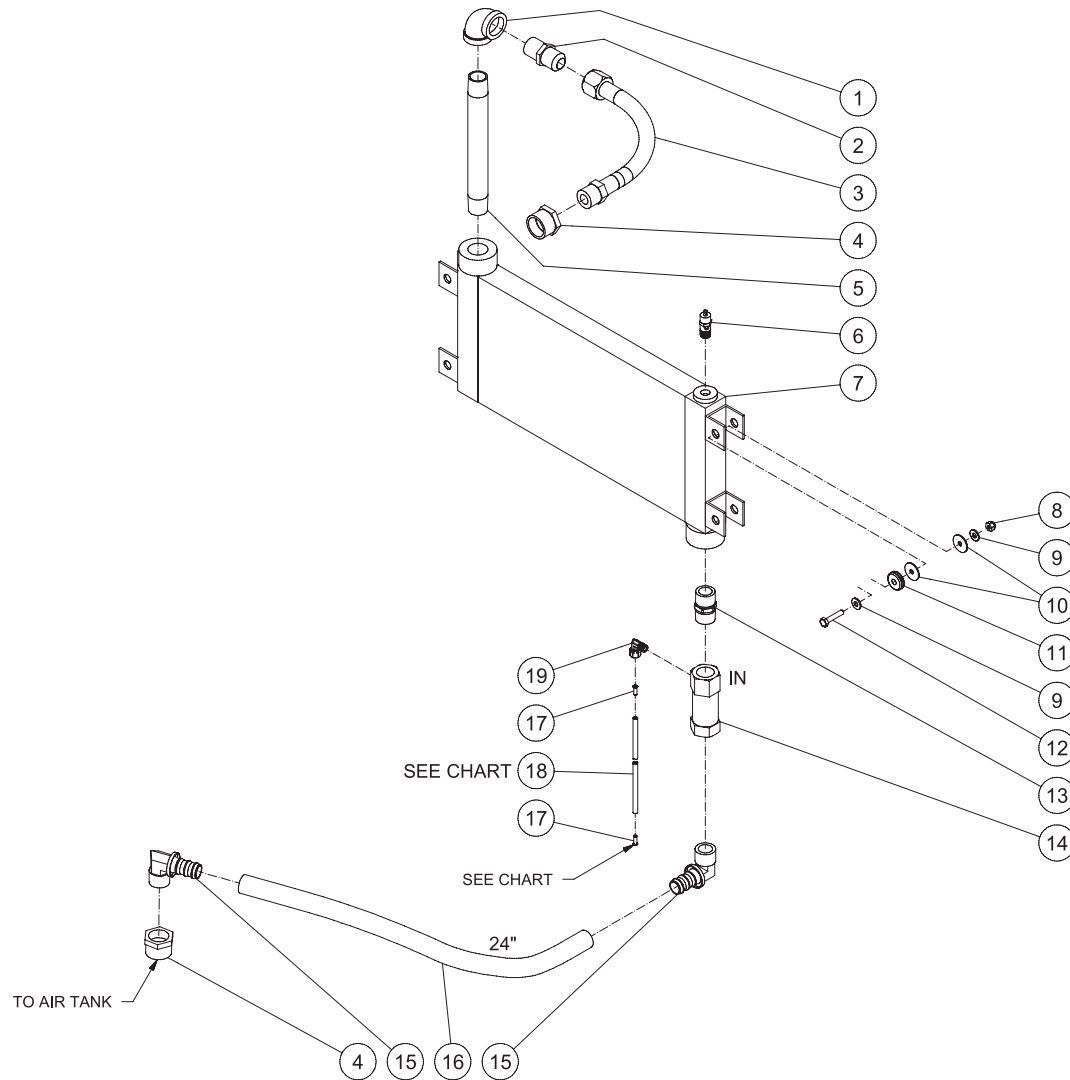
IX-0058 111516 RJA

IX-0058 111516 RJA

TANK DRAIN OPTION - VERTICAL

ITEM	DESCRIPTION	PART #	QTY
1	TUBE SUPPORT	23-0486	4
2	HOSE *(TEN FEET REQUIRED)	15-0240	1
3	TEE	23-0485	1
4	PNEUMATIC DRAIN	22-0448	1
5	NUT	30-0210	1
6	ADAPTER	23-0417	1
7	ADAPTER	23-0328	1
8	REDUCER	23-0111	1
9	BALL VALVE	22-0449	1
10	NIPPLE	24-0315	1
11	TEE	23-0067	1
12	NIPPLE	24-0313	1
13	PETCOCK	23-0312	1
14	ELBOW	55-0104	1
*MUST ORDER IN ONE FOOT LENGTHS			

AFTERCOOLER 80 GALLON HORIZONTAL (IX-0052)



NOTE: ZIP TIE HOSE (18) TO HOSE (16) WHEN ROUTING FOR M-SERIES AND COMBO OPTION W/ TANK DRAIN

IX-0052 111516 RJA

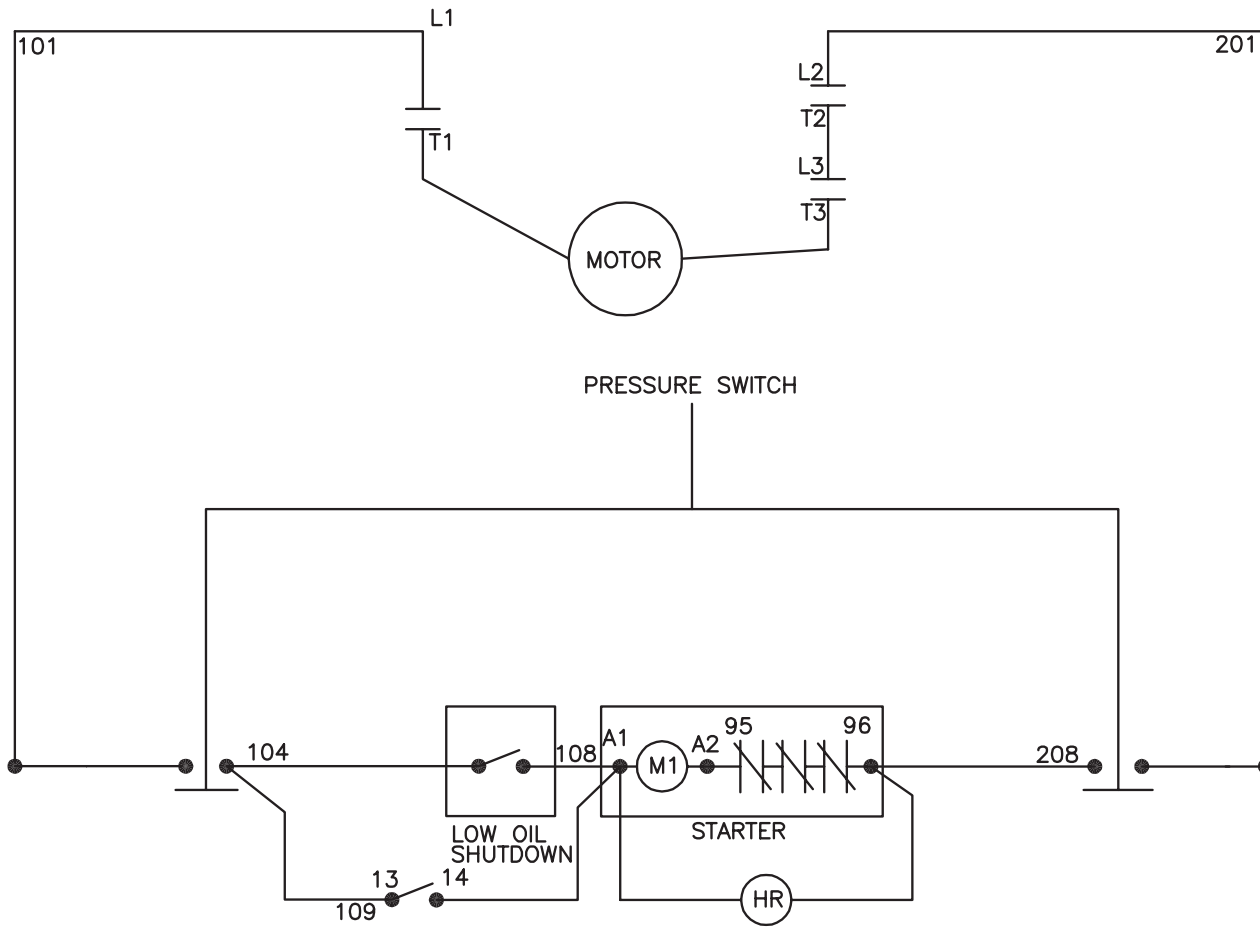
IX-0052 111516 RJA

AFTERCOOLER 80 GALLON HORIZONTAL

ITEM	DESCRIPTION	PART #	QTY
1	ELBOW	24-0102	1
2	ADAPTER	24-0321	1
3	HOSE	15-0285	1
4	REDUCER	23-0473	2
5	NIPPLE	24-0342	1
6	PRESSURE RELIEF VALVE	22-0267	1
7	AFTERCOOLER	33-0487	1
8	LOCKNUT	30-0155	4
9	WASHER	28-0002	8
10	WASHER	28-1064	8
11	GROMMET	33-0366	4
12	BOLT	27-0017	4
13	NIPPLE	23-0026	1
14	CHECK VALVE	22-0454	1
15	BARB	23-0482	2
16	HOSE *(TWO FEET REQUIRED)	15-0289	1
17	TUBE SUPPORT	23-0486	2
18	HOSE *(FORTY SIX FEET REQUIRED)	15-0240	1
19	ELBOW	23-0316	1

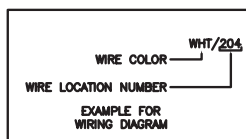
*MUST ORDER IN ONE FOOT LENGTHS

WIRE SCHEMATIC (230V SINGLE PHASE) M SERIES (AFTER SERIAL #20107354)

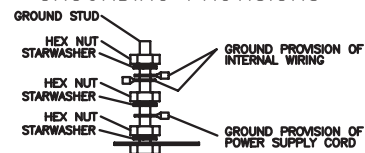


NOTES:

- 1) ALL WIRES ARE 16GA UNLESS OTHERWISE SPECIFIED

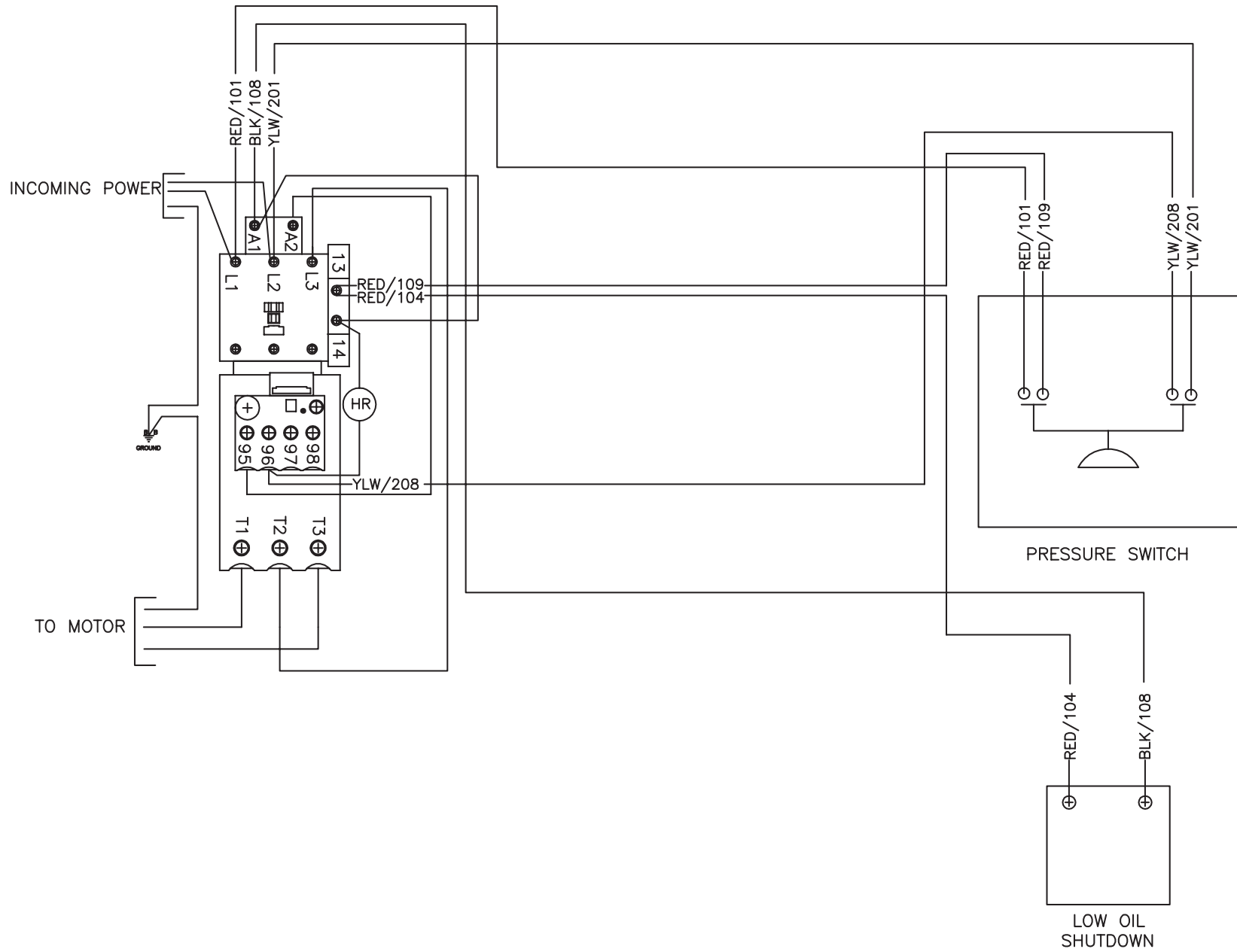


GROUNDING PROVISIONS



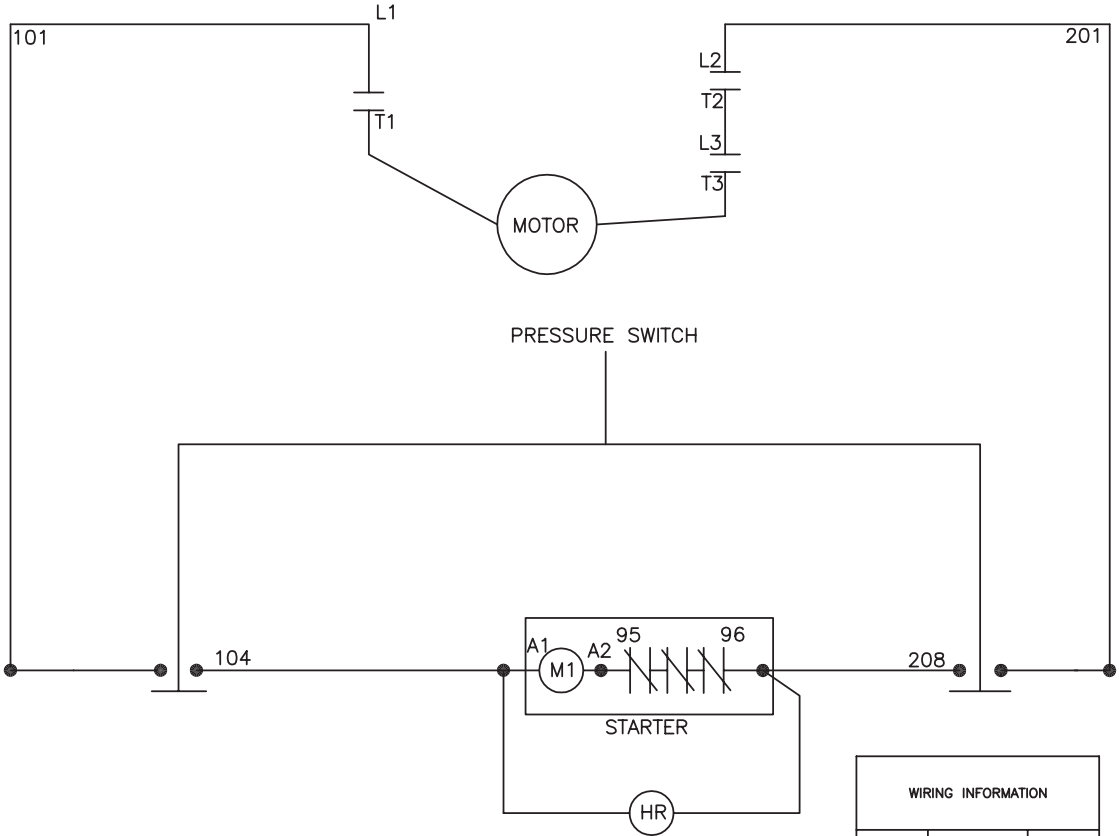
WIRE SCHEMATIC 230V SINGLE PHASE 041312

WIRE DIAGRAM (230V SINGLE PHASE) M SERIES (AFTER SERIAL #20107354)



WIRE DIAGRAM 230V SINGLE PHASE 041312

WIRING SCHEMATIC STARTER (230V SINGLE PHASE)

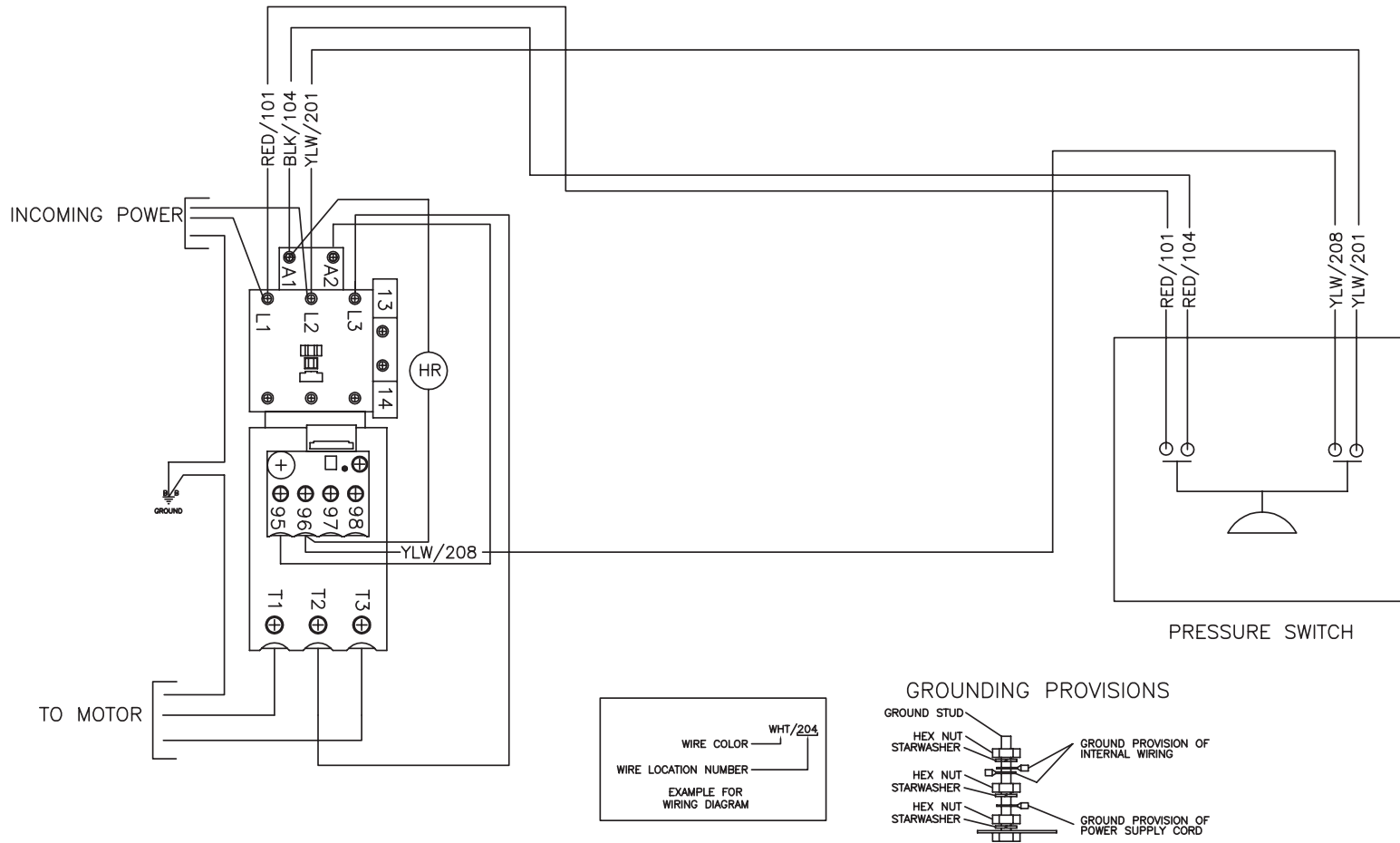


NOTES:
 1) ALL WIRES ARE 16GA UNLESS OTHERWISE SPECIFIED

WIRING INFORMATION		
HP	VOLTAGE	WIRE SIZE
5	230	10
7.5	230	8
10	230	8

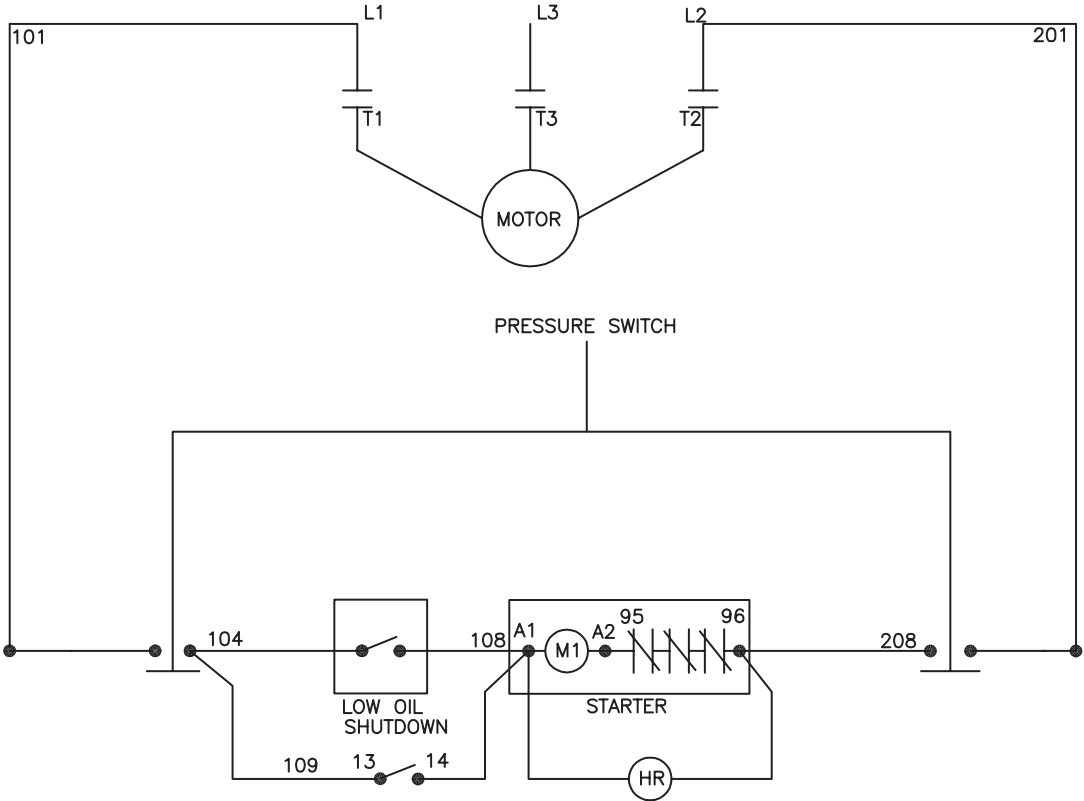
WIRING SCHEMATIC STARTER 230V SINGLE PHASE 050411

WIRING DIAGRAM STARTER (230V SINGLE PHASE)



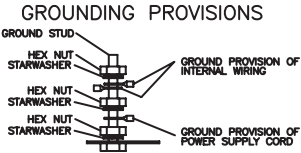
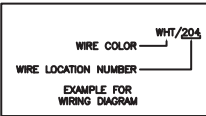
WIRING DIAGRAM STARTER 230V SINGLE PHASE 050411

WIRING SCHEMATIC (200-230V THREE PHASE) M SERIES (AFTER SERIAL #20107354)



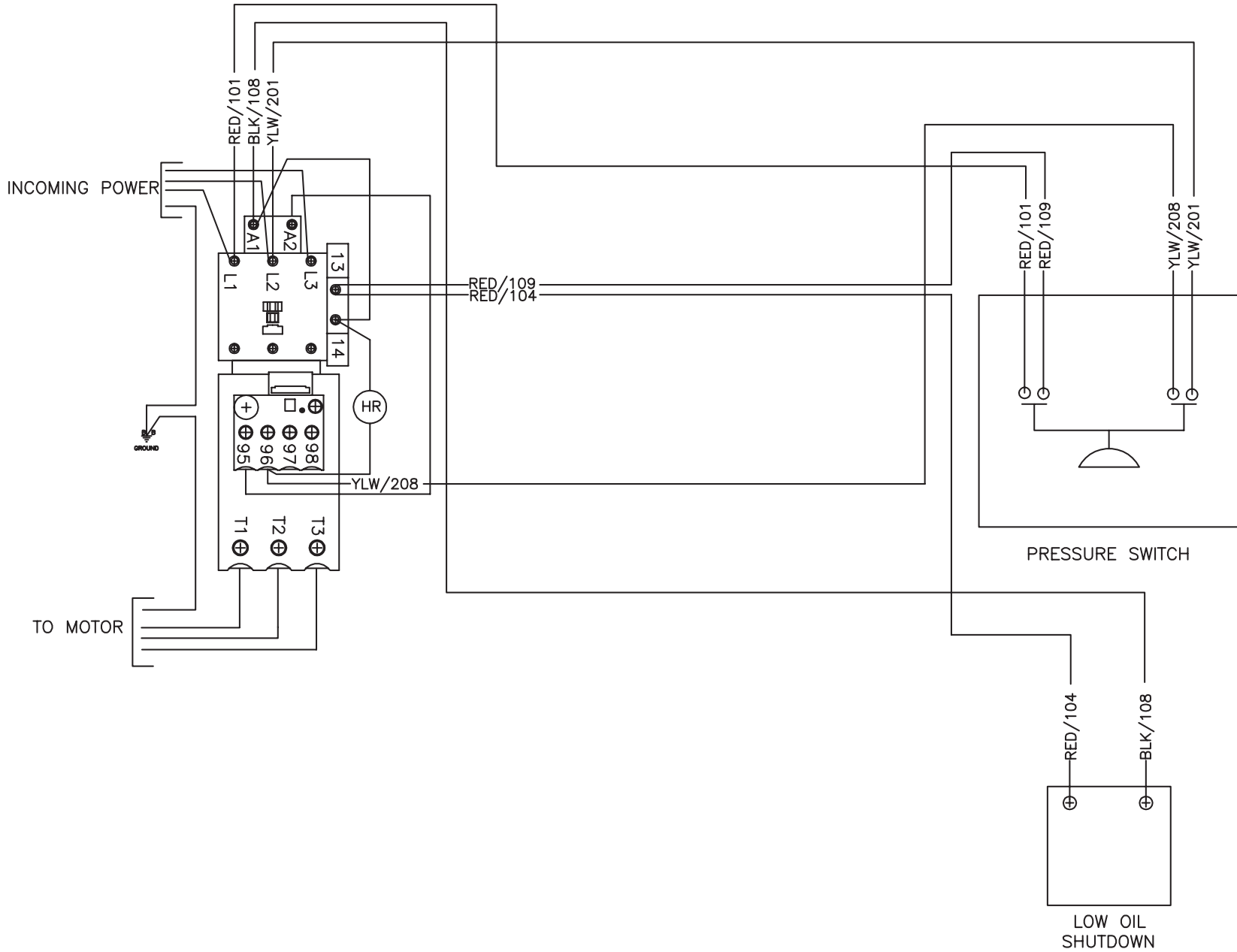
NOTES:
 1) ALL WIRES ARE 16GA UNLESS OTHERWISE SPECIFIED

WIRING INFORMATION		
HP	VOLTAGE	WIRE SIZE
5	200	12
	230	14
7.5	200	10
	230	12
10	200	8
	230	10
15	200	8
	230	8
20	200	6
	230	6
25	200	4
	230	6
30	200	4
	230	4



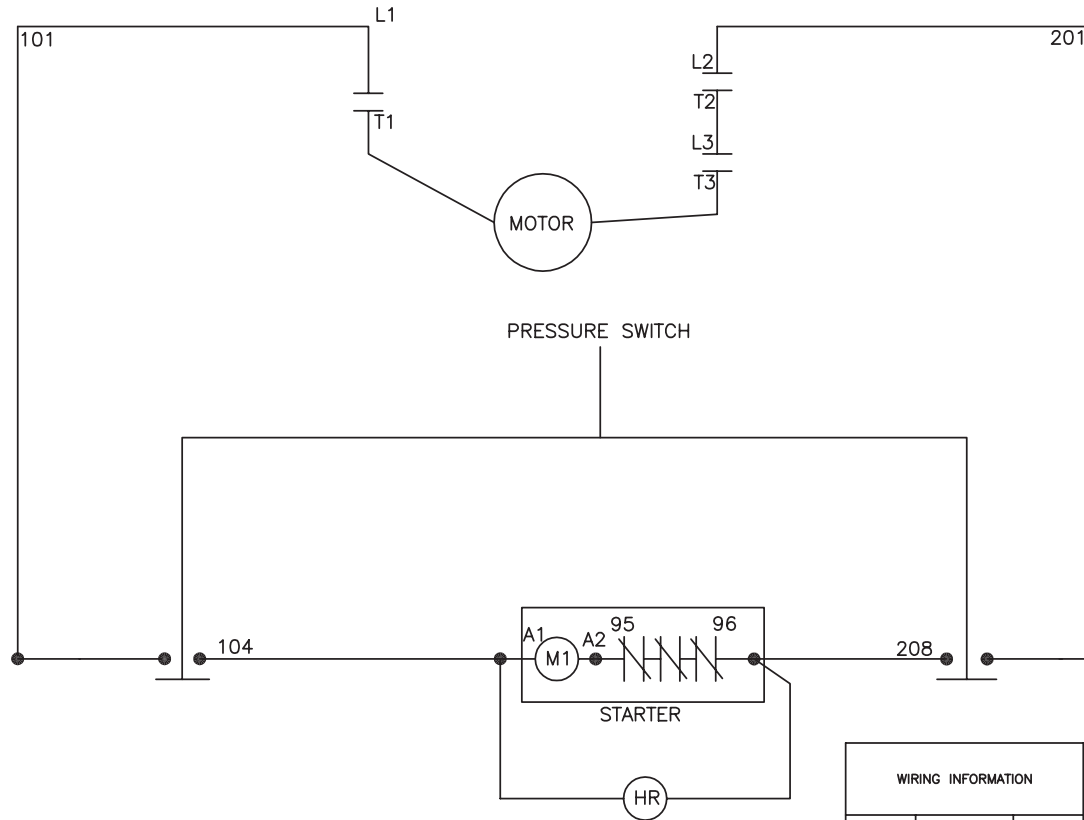
WIRING SCHEMATIC INDUSTRIAL M SERIES 200-230V THREE PHASE 041312

WIRING DIAGRAM (200-230V THREE PHASE) M SERIES (AFTER SERIAL #20107354)



WIRING DIAGRAM INDUSTRIAL M SERIES 200-230V THREE PHASE 041312

WIRING SCHEMATIC STARTER (200-230V THREE PHASE)

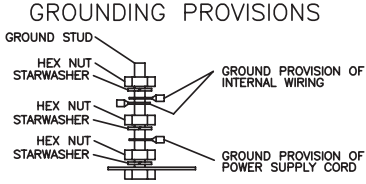
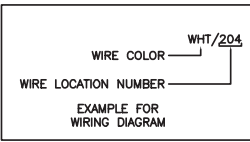
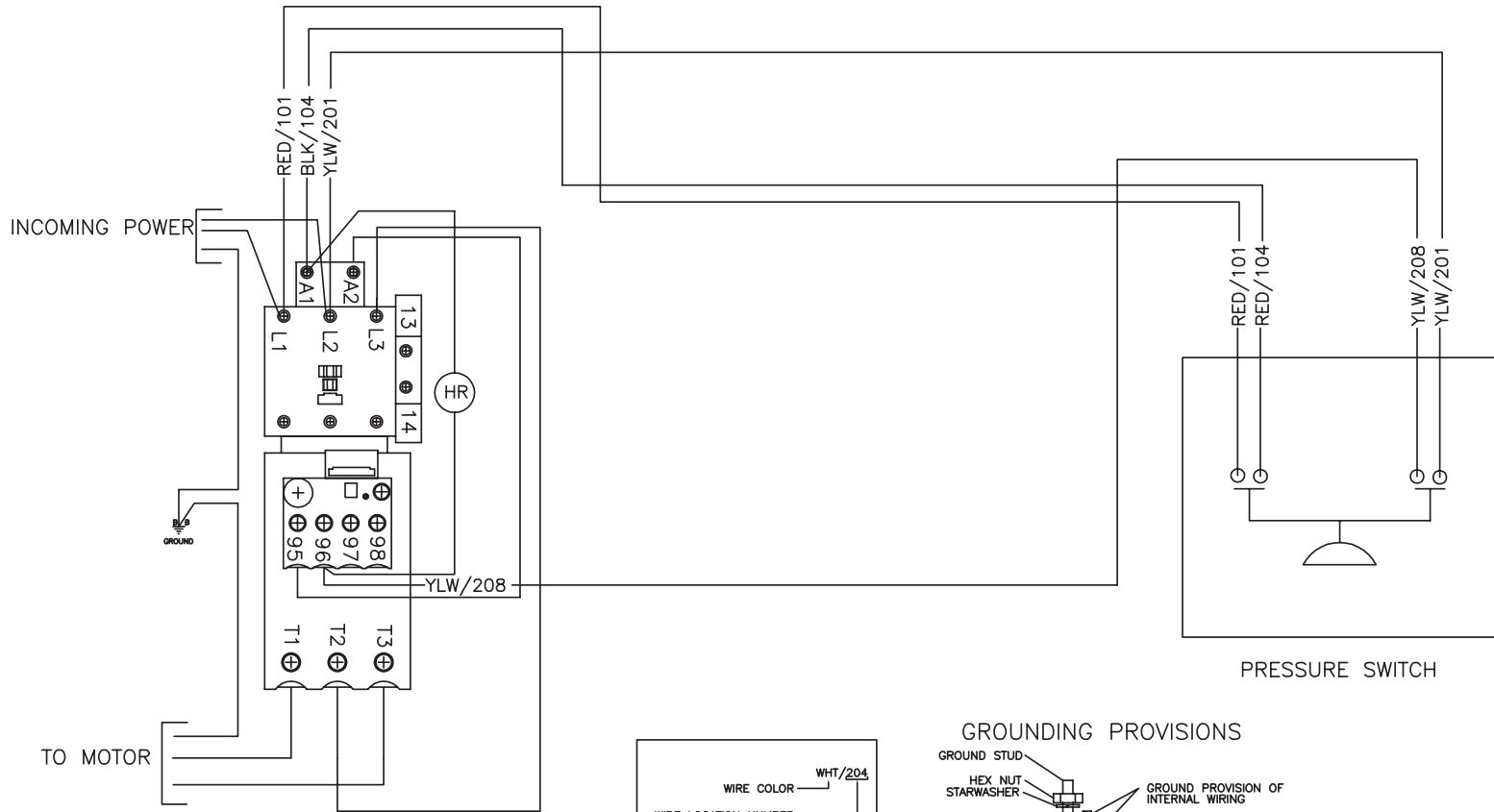


NOTES:
 1) ALL WIRES ARE 16GA UNLESS OTHERWISE SPECIFIED

WIRING INFORMATION		
HP	VOLTAGE	WIRE SIZE
5	230	10
7.5	230	8
10	230	8

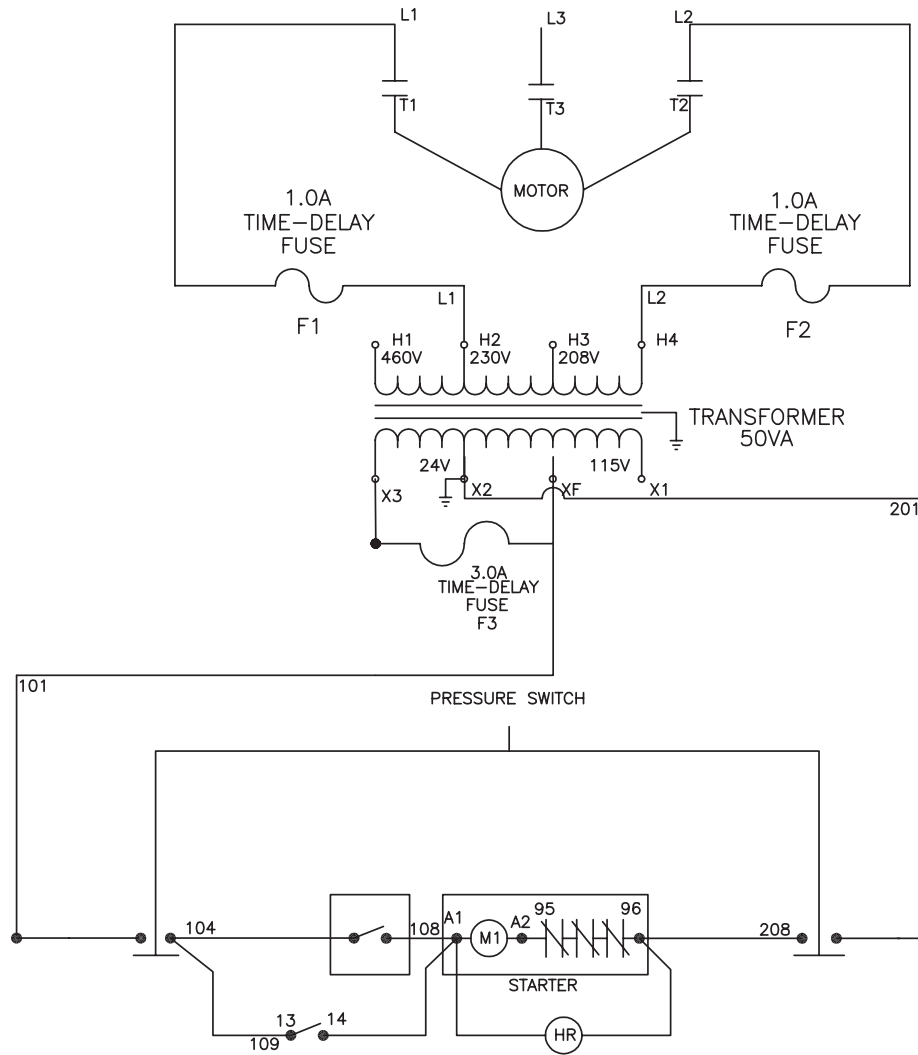
WIRING SCHEMATIC STARTER 200-230V THREE PHASE 050411

WIRING DIAGRAM STARTER (200-230V THREE PHASE)



WIRING DIAGRAM STARTER 200-230V THREE PHASE 050411

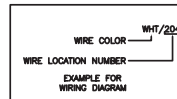
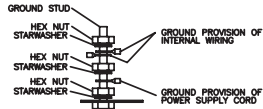
WIRING SCHEMATIC (460V THREE PHASE) M SERIES (AFTER SERIAL #20107354)



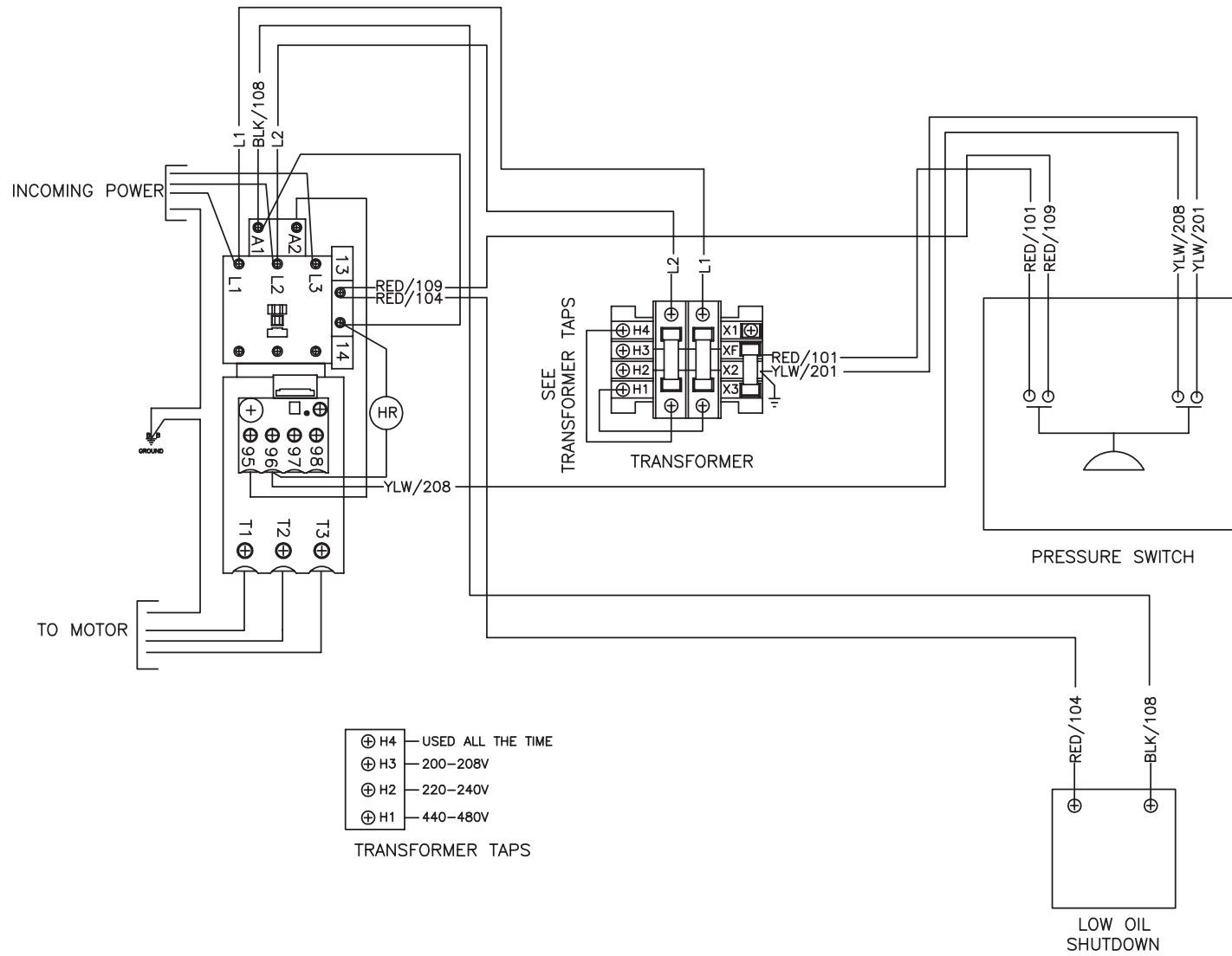
WIRING SCHEMATIC INDUSTRIAL M SERIES 460V
THREE PHASE 041312

NOTES
1) ALL WIRES ARE 16GA UNLESS OTHERWISE SPECIFIED

GROUNDING PROVISIONS

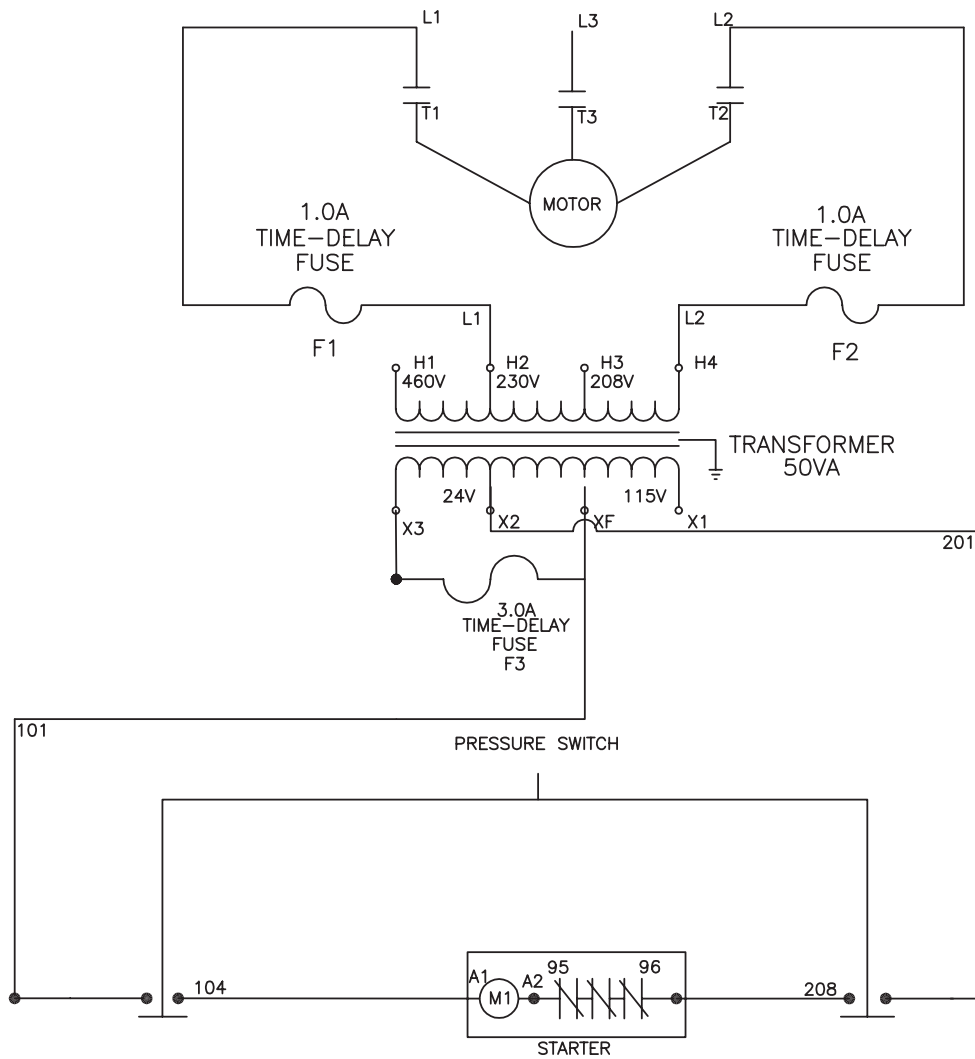


WIRING DIAGRAM (460V THREE PHASE) M SERIES (AFTER SERIAL #20107354)

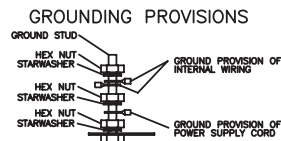
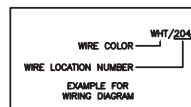


WIRING DIAGRAM INDUSTRIAL M SERIES 460V THREE PHASE 041312

WIRING SCHEMATIC STARTER (460V THREE PHASE)

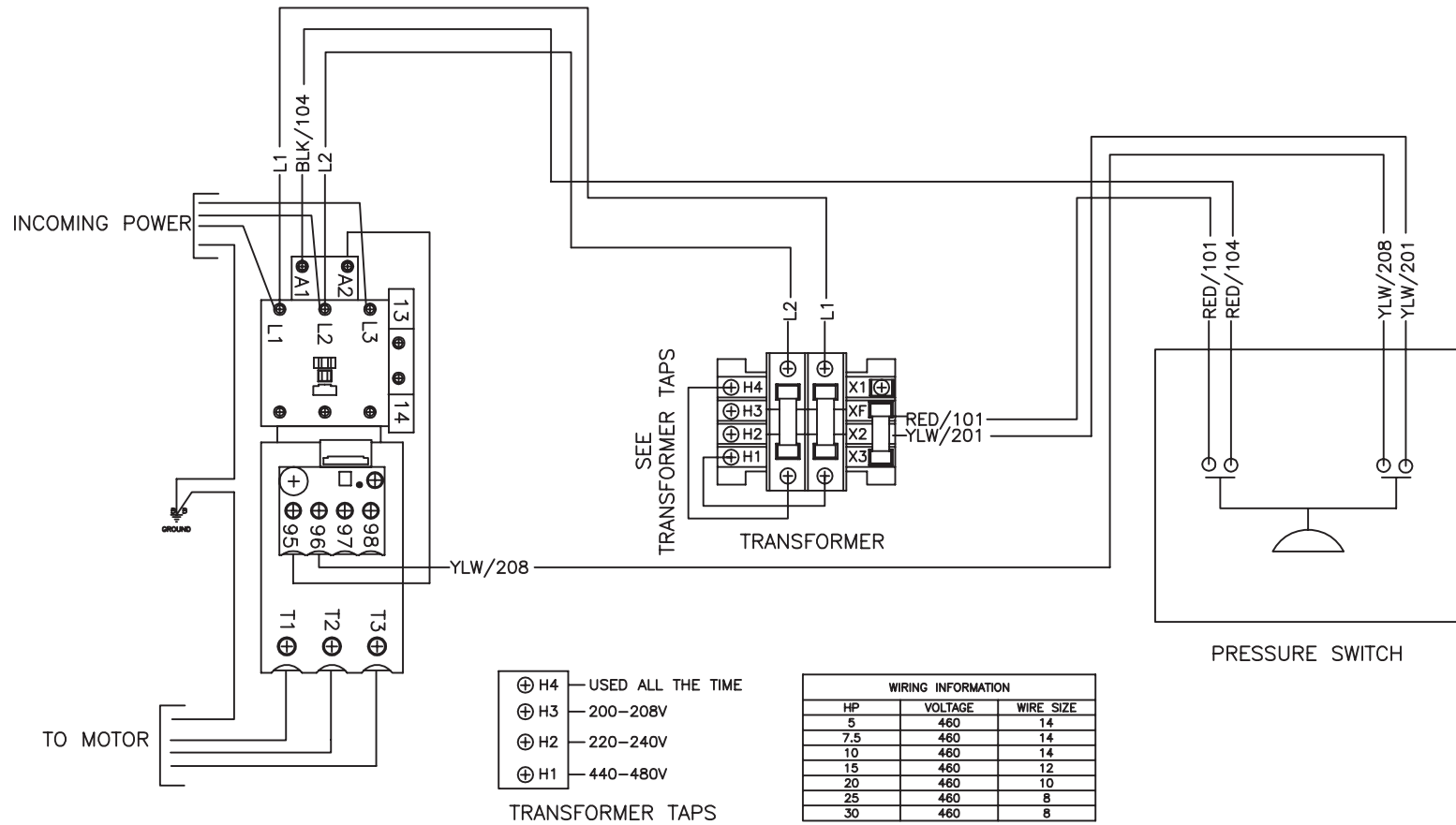


NOTES
 1) ALL WIRES ARE 16GA UNLESS OTHERWISE SPECIFIED



WIRING SCHEMATIC STARTER 460V THREE PHASE 050411

WIRING DIAGRAM STARTER (460V THREE PHASE)



WIRING DIAGRAM STARTER 460V THREE PHASE 050411

Manufactured by Mi-T-M
8650 Enterprise Drive, Peosta IA 52068
563-556-7484/ Fax 563-556-1235