



PARTS LIST FOR
AIR COMPRESSORS
5/7.5 Hp Industrial Duplex

This Parts Listing has been compiled for your benefit. You can be assured your Mi-T-M Gasoline Air Compressor was constructed and designed with quality and performance in mind. Each component has been rigorously tested to insure the highest level of acceptance.

The contents of this Parts Listing are based on the latest product information available at the time of publication. Mi-T-M reserves the right to make changes in price, color, materials, equipment, specifications or models at any time without notice.

WARNING

THIS IS A PROFESSIONAL ELECTRIC AIR COMPRESSOR. CAUTION SHOULD BE OBSERVED WHEN USING OR REPAIRING THIS UNIT! READ AND FOLLOW THE SAFETY WARNINGS LISTED BELOW BEFORE ATTEMPTING ANY REPAIRS ON THIS AIR COMPRESSOR!

SAFETY WARNINGS

1. NEVER alter or modify the equipment. Be sure any accessory items and system components being used will withstand the pressure developed. Use only genuine Mi-T-M parts for repair of your air compressor. Failure to do so can cause hazardous operating conditions and will VOID warranty.
2. Know how to stop and bleed pressures quickly. Be thoroughly familiar with controls.
3. Before servicing the unit, turn unit off, relieve the pressure and allow the unit to cool down. Do not make repairs while the unit is running. Service in a clean, dry, flat area. Block the wheels to prevent the unit from moving. Be especially careful to properly dispose of any flammable materials.
4. After testing the machine, DO NOT leave the pressurized unit unattended. Shut off the unit and release trapped pressure before leaving.

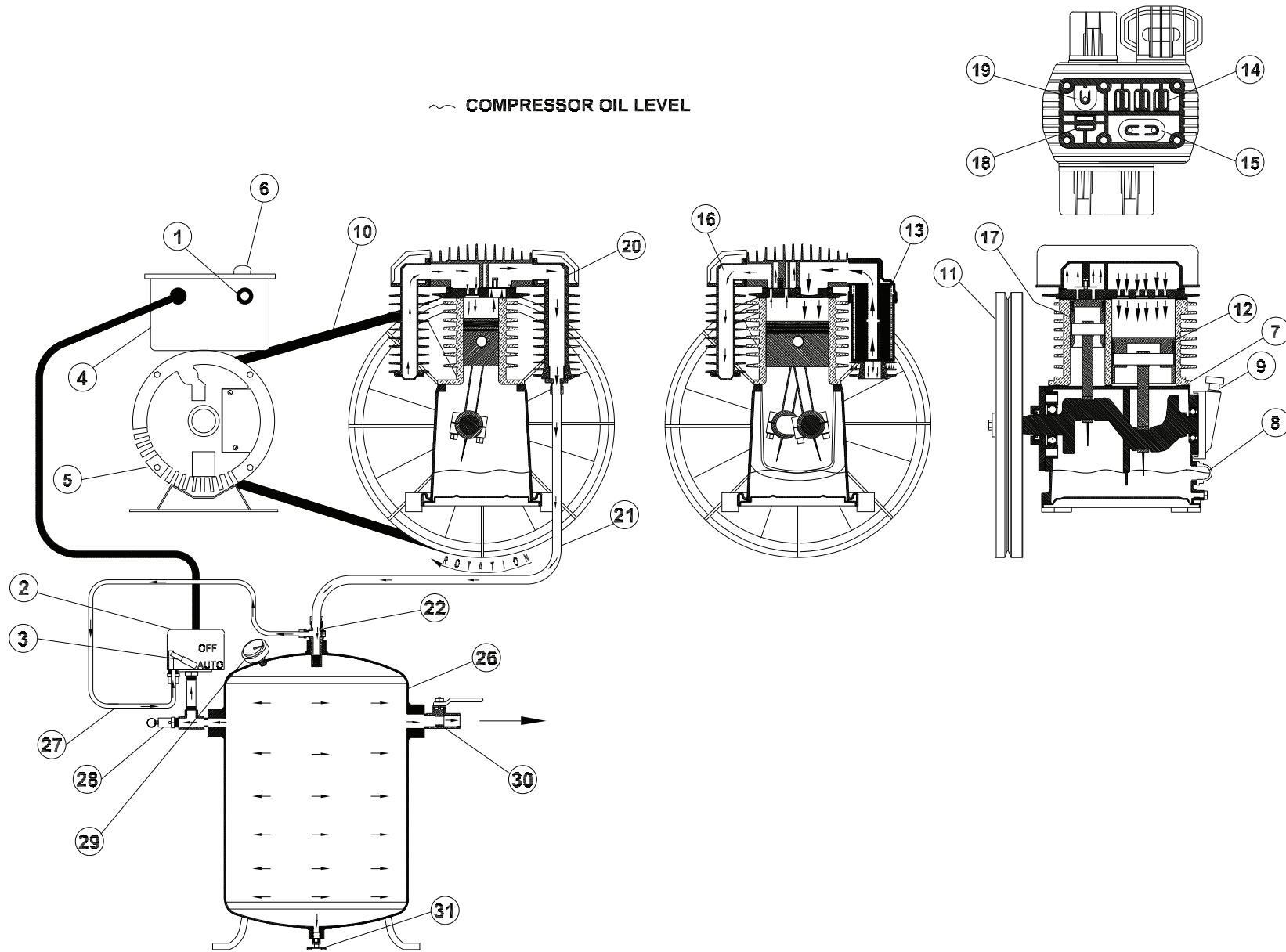
Table of Contents

SPECIFICATIONS	3
FLOW CHART	4
GENERAL THEORY OF OPERATION	5
ACD 120 GALLON DUPLEX SERIES	6
ACD 120 GALLON DUPLEX M SERIES	8
COMPRESSOR PUMP (3-0312)	10
CONTROL BOX	12
LOW OIL SHUTDOWN (IX-0008)	14
TANK DRAIN OPTION (IX-0032)	15
AFTERCOOLER (IX-0033)	16
WIRE SCHEMATIC 230V 1 PHASE	18
WIRE DIAGRAM 230V 1 PHASE	19
WIRE SCHEMATIC 200/230V 3 PHASE	20
WIRE DIAGRAM 200/230V 3 PHASE	21
WIRE SCHEMATIC 460V 3 PHASE	22
WIRE DIAGRAM 460V 3 PHASE	23

SPECIFICATIONS

MODEL NUMBER	ACD-23105/20305/ 23305/46305-120H	ACD-23105/20305/ 23305/46305-120HM	ACD-23175/40375/ 23375/46375-120H	ACD-23175/20375/ 23375/46375-120HM
MOTOR:				
Horsepower	5HP		7.5HP	
Voltage	230V/200V/230/460V		230V/200V/230/460V	
Amperage	46.0A/32.2A/27.6A/13.8A		62.0A/46.0A/40.0A/20.0A	
HZ	60			
Phase	1/3/3/3			
RPM	1725/1740/1750/1750		1725/1750/1750/1750	
Compressor Pump:				
Number of Cylinders	2			
Compression Stages	2			
First Stage Bore	2.17			
Second Stage Bore	3.94			
Stroke	3.39			
RPM	1250			
Flywheel	16.5"			
Lubrication	Splash			
Oil Capacity	64 oz.			
Oil Type	30 W Non Detergent			
Crankcase	Cast Iron			
Bearings	Ball			
Cylinder	Cast Iron			
Valves	Reed			
Head	Cast Iron			
Filter	Canister			
AIR TANK:				
Capacity	120 gallons			
PERFORMANCE:				
CFM Air Displacement	59.62		51.62	
CFM @ 40 PSI	41.8		52.2	
CFM @ 100 PSI	39		49.4	
CFM @ 175 PSI	36		46.4	
Maximum Pressure	175 PSI			
Pump-up Time: 0-175 PSI	8 minutes and 10 seconds		5 minutes and 23 seconds	
Recovery Time: 145-175 PSI	1 minute and 10 seconds		57 seconds	
WEIGHT:				
Net	790 lbs	890 lbs	840 lbs	940 lbs
Shipping	850 lbs	950 lbs	900 lbs	1000 lbs
DIMENSIONS:				
Basic L x W x H	74" x 26.5" x 58"			
Shipping L x W x H	80.5" x 37.5" x 63"			

FLOW CHART

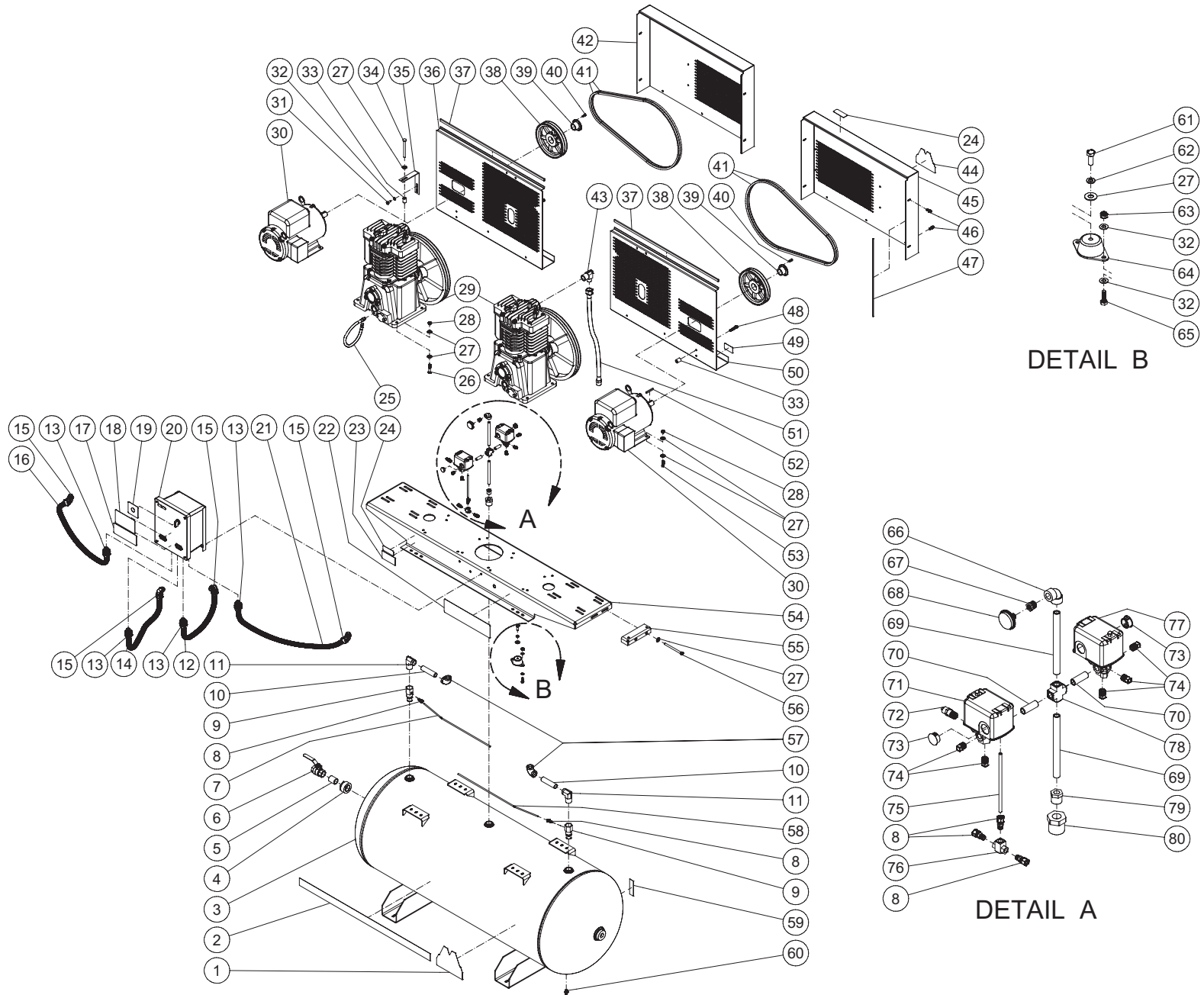


OMAC0061A-021809-RD

GENERAL THEORY OF OPERATION

1. The POWER SUPPLY (1) sends the electrical supply to the PRESSURE SWITCH (2). When the PRESSURE SWITCH LEVER (3) is in the "AUTO" position, power is supplied to the CONTACTOR (4) which starts the ELECTRIC MOTOR (5) which is protected from electrical overloads by the MANUAL RESET BUTTON (6).
2. The COMPRESSOR PUMP (7) is lubricated by oil. The oil level should be checked before each use by viewing the COMPRESSOR PUMP OIL SIGHTGLASS (8). If the oil level is low, add SAE-30W non-detergent oil to the COMPRESSOR PUMP OIL FILL PORT (9).
3. When the unit is operating, the V-BELT (10) turns the COMPRESSOR PUMP FLYWHEEL (11) which rotates the crankshaft and moves the pistons.
4. As the FIRST STAGE PISTON (12) moves down, air is drawn in through the INLET AIR FILTER (13). Then through the FIRST STAGE INLET REED VALVE (14) and into the first stage piston chamber. At the same time, the FIRST STAGE OUTLET REED VALVE (15) is closed. This allows air to fill the first stage piston chamber.
5. As the FIRST STAGE PISTON (12) moves upward, the FIRST STAGE INLET REED VALVE (14) closes. The FIRST STAGE OUTLET REED VALVE (15) opens allowing the compressed air to flow into the INTERCOOLER (16) and into the second stage.
6. As the SECOND STAGE PISTON (17) moves down, the first stage compressed air is drawn in through the SECOND STAGE INLET REED VALVES (18) and into the second stage piston chamber. At the same time, the SECOND STAGE OUTLET REED VALVES (19) is closed.
7. As the SECOND STAGE PISTON (17) moves upward, the SECOND STAGE INLET REED VALVES (18) closes. The SECOND STAGE OUTLET REED VALVES (19) opens allowing the compressed air to flow into the AFTERCOOLER (20) and DISCHARGE LINE (21).
8. STANDARD START/STOP FEATURE:
 1. The compressed air opens the CHECK VALVE (22) and moves into the AIR TANK (26). When the pressure in the AIR TANK (26) reaches the maximum pressure setting of the PRESSURE SWITCH (2), the ELECTRIC MOTOR (5) stops and the CHECK VALVE (22) will close.
 2. The pressurized air remaining in the PUMP DISCHARGE LINE (21) exits through the PRESSURE SWITCH BLEND-OFF LINE (27) so the ELECTRIC MOTOR (5) can restart under a no-load condition.
9. The SAFETY RELIEF VALVE (28) protects the system from any overpressure conditions.
10. The TANK PRESSURE GAUGE (29) indicates tank pressure. The air exits through the OUTLET FITTING (30).
11. The PRESSURE SWITCH LEVER (3) stops the ELECTRIC MOTOR (5) when moved to the "OFF" position.
12. When the PRESSURE SWITCH LEVER (3) is in the "OFF" position, compressed air should be released from the AIR TANK (26) by opening the attached air tool or by pulling on the SAFETY RELIEF VALVE (28). When the TANK PRESSURE GAUGE (29) registers less than 10 PSI, drain the condensation from the AIR TANK (26) by opening the TANK DRAIN (31).

ACD 120 GALLON DUPLEX SERIES



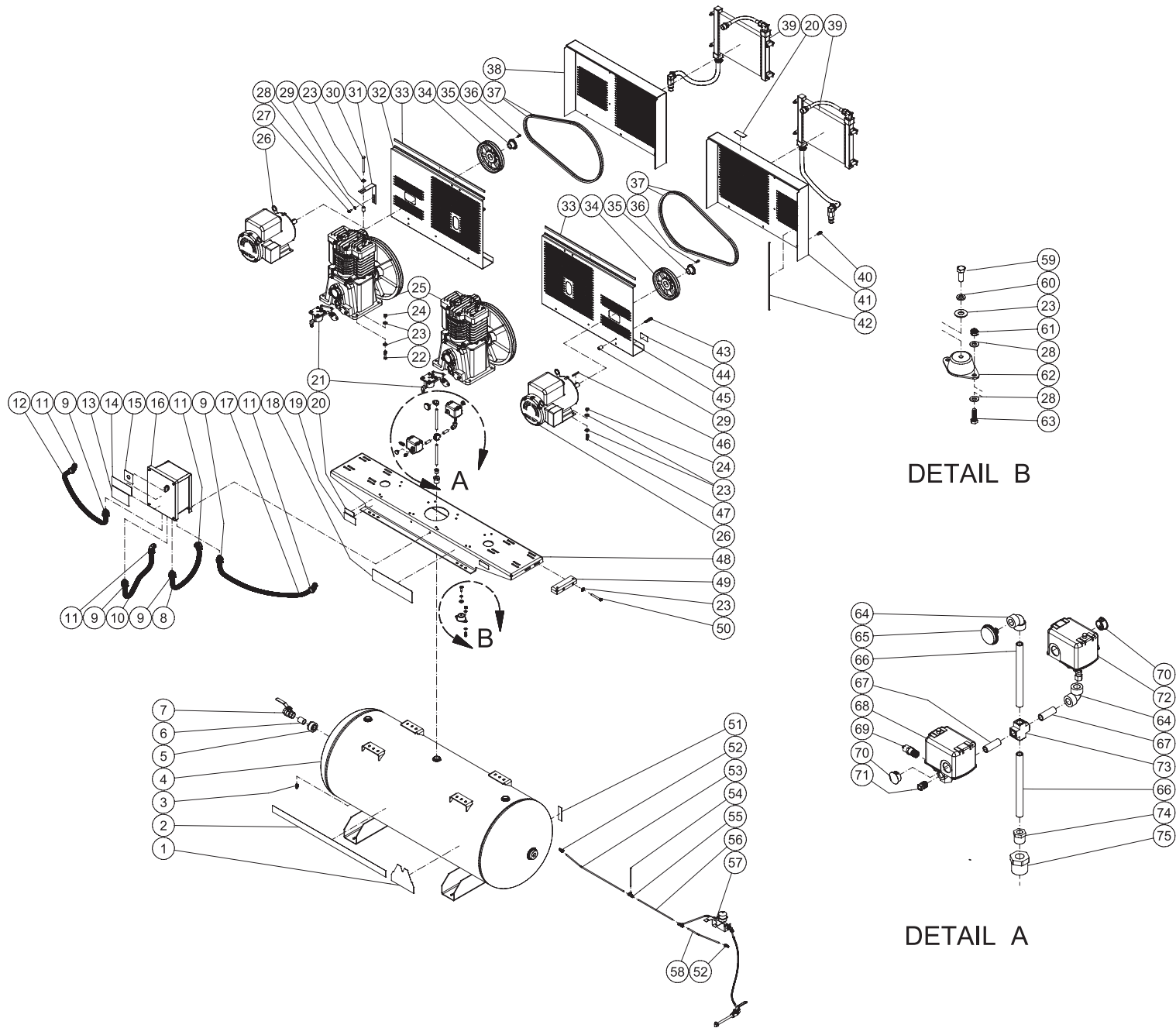
ACD-120 GALLON DUPLEX 032510 PJH

FRAME ASSEMBLY

ITEM	DESCRIPTION	Mi-T-M #	QTY	ITEM	DESCRIPTION	Mi-T-M #	QTY
1	DECAL - Mi-T-M	34-2170	1	39	BUSHING (ACD-23105, ACD-20305, ACD-23305, ACD-46305)	9-0010	2
2	DECAL MI-T-M STRIPE	34-2282	1	-	BUSHING (ACD-23175, ACD-20375, ACD-23375, ACD-46375)	9-0008	2
3	TANK ASSEMBLY	12-0201A01	1	40	BOLT (ACD-23105, ACD-20305, ACD-23305, ACD-46305)	27-0015	4
4	REDUCER	24-0233	1	41	BELT (ACD-23175, ACD-20375, ACD-23375, ACD-46375)	11-0077	4
5	NIPPLE	24-0200	1	-	BELT	11-0078	4
6	BALL VALVE	22-0344	1	42	BELTGUARD FRONT PANEL (SEE 854-0097)	N/A	1
7	COPPER TUBE *(TWO FEET REQUIRED)	54-0034	1	43	ELBOW	23-0472	2
8	ADAPTER	23-0328	5	44	DECAL - Mi-T-M	34-2169	2
9	CHECK VALVE	22-0436	2	45	BELTGUARD FRONT PANEL (SEE 854-0097)	N/A	1
10	NIPPLE	24-0337	2	46	BOLT	27-9524	14
11	ELBOW	24-0322	2	47	EDGING *(TWO FEET REQUIRED)	33-0423	4
12	CONDUIT *(TWO FEET REQUIRED)	32-0253	1	48	BOLT	27-9529	6
13	CONDUIT FITTING	32-0255	4	49	DECAL - BELTGUARD IN PLACE (SEE 34-9048)	N/A	2
14	CONDUIT *(TWO FEET REQUIRED)	32-0253	1	50	BELTGUARD BACK ASSEMBLY (SEE 854-0096)	6-0133A01	1
15	CONDUIT ELBOW	32-0254	4	51	HOSE	15-0259	2
16	CONDUIT *(THREE FEET REQUIRED)	32-0253	1	52	KEY	43-0078	2
17	DECAL-IND A/C DUPLX OPERATING (SEE 34-9048)	N/A	1	53	BOLT	27-0118	8
18	DECAL-IND A/C MAINTENANCE (SEE 34-9048)	N/A	1	54	BASEPLATE	5-0284A01	1
19	DECAL-LEAD MOTOR/PUMP TOGGLE (SEE 34-9048)	N/A	1	55	BELT TENSIONER PLATE	20-1036A01	2
20	CONTROL BOX ASSEMBLY	N/A SEP	1	56	BOLT	27-0133	4
21	CONDUIT *(FIVE FEET REQUIRED)	32-0253	1	57	ELBOW	24-0102	2
22	DECAL-IND A/C WRN/CAUT/OPER (SEE 34-9048)	N/A	1	58	COPPER TUBE *(TWO FEET REQUIRED)	54-0034	1
23	DECAL - SILVER STICKER	N/A	1	59	DECAL - TANK DRAIN (SEE 34-9048)	N/A	2
24	DECAL - RISK OF BURNS (SEE 34-9048)	N/A	4	60	PETCOCK	23-0312	2
25	OIL DRAIN HOSE	70-0520	2	61	BOLT	27-0117	4
26	BOLT	27-0121	8	62	LOCKWASHER	29-0008	4
27	WASHER	28-0023	44	63	LOCKNUT	30-0157	12
28	LOCKNUT	30-0159	16	64	ISOLATOR	14-0109	4
29	PUMP	3-0312	2	65	BOLT	27-0067	8
30	MOTOR (ACD-23105)	2-0173	2	66	ELBOW	24-0320	1
-	MOTOR (ACD-40305)	2-0177	2	67	REDUCER	23-0111	1
-	MOTOR (ACD-46305, ACD-23305)	2-0175	2	68	PRESSURE GAUGE	22-0271	1
-	MOTOR (ACD-23175)	2-0162	2	69	NIPPLE	24-0315	2
-	MOTOR (ACD-20375)	2-0163	2	70	NIPPLE	24-0313	2
-	MOTOR (ACD-23375, ACD-46375)	2-0164	2	71	PRESSURE SWITCH	22-0444	1
31	BOLT	27-0066	4	72	PRESSURE RELIEF VALVE	22-0267	1
32	WASHER	28-0003	24	73	PLUG	39-0014	2
33	SPACER	33-0425	10	74	PLUG	24-0009	5
34	BOLT	27-8071	4	75	COPPER TUBE *(ONE FEET REQUIRED)	54-0034	1
35	BELTGUARD STABILIZER	20-1031A01	4	76	VALVE	22-0458	1
36	BELTGUARD BACK ASSEMBLY (SEE 854-0096)	N/A	1	77	PRESSURE SWITCH	22-0445	1
37	EDGING *(THREE FEET REQUIRED)	33-0020	2	78	CROSS	23-0310	1
38	SHEAVE	10-0007	2	79	REDUCER	23-0056	1
-	SHEAVE	10-0145	2	80	REDUCER	23-0226	1
				81	DECAL SET	34-9048	1

*MUST ORDER IN ONE FOOT LENGTHS

ACD 120 GALLON DUPLEX M SERIES



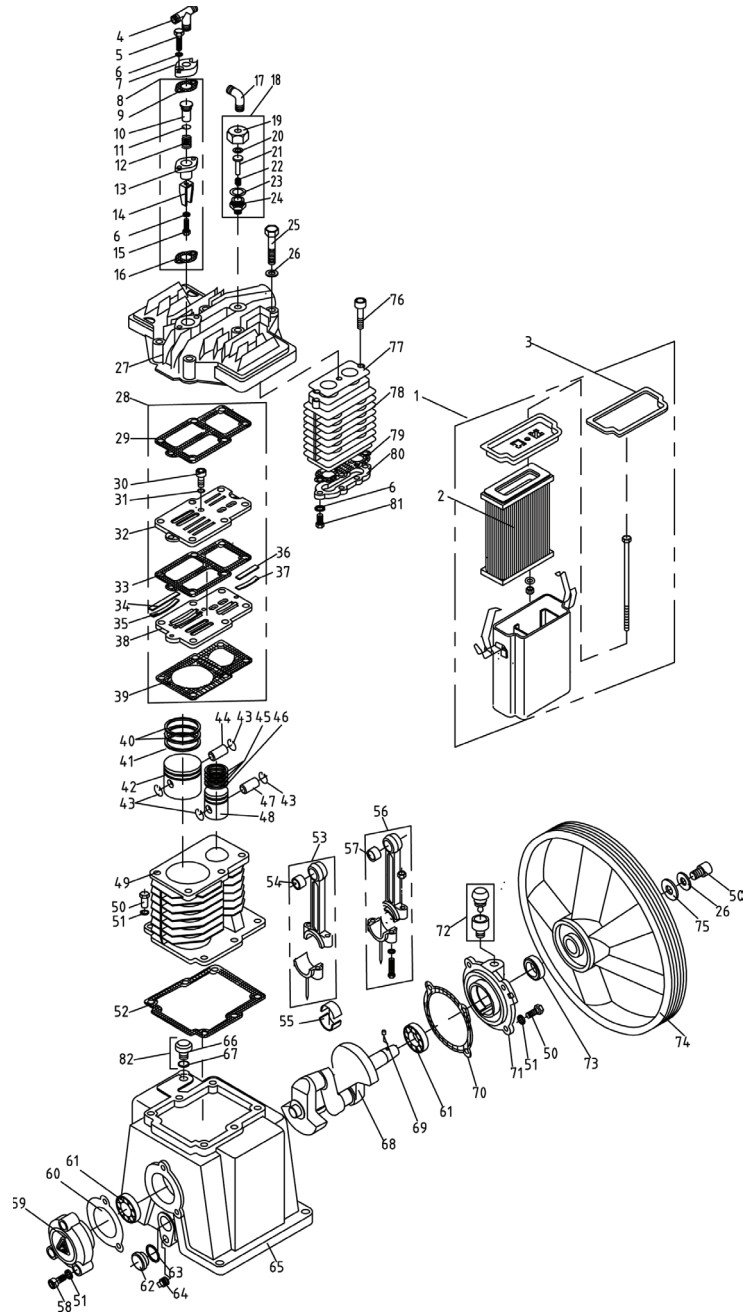
DETAIL B

DETAIL A

ACD-120 GALLON DUPLEX M 122308 PJH

FRAME ASSEMBLY							
ITEM	DESCRIPTION	Mi-T-M #	QTY	ITEM	DESCRIPTION	Mi-T-M #	QTY
1	DECAL - Mi-T-M	34-2170	3	37	BELT	11-0077	4
2	DECAL Mi-T-M STRIPE	34-2282	1	-	BELT	11-0078	4
3	PETCOCK	23-0312	1	38	BELTGUARD FRONT PANEL (SEE 854-0097)	6-0130A01	1
4	TANK ASSEMBLY	12-0201A01	1	39	AFTERCOOLER OPTION	IX-0033	1
5	REDUCER	24-0233	1	40	BOLT	27-9524	14
6	NIPPLE	24-0200	1	41	BELTGUARD FRONT PANEL (SEE 854-0097)	6-0134A01	1
7	BALL VALVE	22-0344	1	42	EDGING *(TWO FEET REQUIRED)	33-0423	4
8	CONDUIT *(TWO FEET REQUIRED)	32-0253	1	43	BOLT	27-9529	6
9	CONDUIT FITTING	32-0255	4	44	DECAL - BELTGUARD IN PLACE (SEE 34-9048)	34-0575	2
10	CONDUIT *(TWO FEET REQUIRED)	32-0253	1	45	BELTGUARD BACK ASSEMBLY (SEE 854-0096)	6-0133A01	1
11	CONDUIT ELBOW	32-0254	4	46	KEY	43-0078	2
12	CONDUIT *(THREE FEET REQUIRED)	32-0253	1	47	BOLT	27-0118	8
13	DECAL-IND A/C MAINTENANCE (SEE 34-9048)	N/A	1	48	BASEPLATE	5-0284A01	1
14	DECAL-IND A/C DUPLX OPERATING (SEE 34-9048)	N/A	1	49	BELT TENSIONER PLATE	20-1036A01	2
15	DECAL-LEAD MOTOR/PUMP TOGGLE (SEE 34-9048)	N/A	1	50	BOLT	27-0133	4
16	CONTROL BOX ASSEMBLY	N/A SEP	1	51	DECAL - TANK DRAIN (SEE 34-9048)	N/A	2
17	CONDUIT *(FIVE FEET REQUIRED)	32-0253	1	52	ADAPTER	23-0328	5
18	DECAL-IND A/C WRN/CAUT/OPER (SEE 34-9048)	N/A	1	53	COPPER TUBE *(TWO FEET REQUIRED)	54-0034	1
19	DECAL - SILVER STICKER	N/A	1	54	COPPER TUBE *(ONE FEET REQUIRED)	54-0034	1
20	DECAL - RISK OF BURNS (SEE 34-9048)	N/A	4	55	VALVE	22-0458	1
21	LOW OIL SHUTDOWN OPTION	IX-0008	2	56	COPPER TUBE *(TWO FEET REQUIRED)	54-0034	1
22	BOLT	27-0121	8	57	TANK DRAIN OPTION	IX-0032	1
23	WASHER	28-0023	44	58	COPPER TUBE *(ONE FOOT REQUIRED)	54-0034	1
24	LOCKNUT	30-0159	16	59	BOLT	27-0117	4
25	PUMP	3-0312	2	60	LOCKWASHER	29-0008	4
26	MOTOR (ACD-23105)	2-0173	2	61	LOCKNUT	30-0157	12
-	MOTOR (ACD-20305)	2-0177	2	62	ISOLATOR	14-0109	4
-	MOTOR (ACD-23305, ACD-46305)	2-0175	2	63	BOLT	27-0067	8
-	MOTOR (ACD-23175)	2-0162	2	64	ELBOW	24-0320	1
-	MOTOR (ACD-20375)	2-0163	2	65	REDUCER	23-0111	1
-	MOTOR (ACD-23375, ACD-46375)	2-0164	2	66	PRESSURE GAUGE	22-0271	1
27	BOLT	27-0066	4	67	NIPPLE	24-0315	2
28	WASHER	28-0003	24	68	NIPPLE	24-0313	2
29	SPACER	33-0425	10	69	PRESSURE SWITCH	22-0444	1
30	BOLT	27-8071	4	70	PRESSURE RELIEF VALVE	22-0267	1
31	BELTGUARD STABILIZER	20-1031A01	4	71	PLUG	39-0014	2
32	BELTGUARD BACK ASSEMBLY (SEE 854-0096)	6-0129A01	1	72	PLUG	24-0009	5
33	EDGING *(THREE FEET REQUIRED)	33-0020	2	73	PRESSURE SWITCH	22-0445	1
34	SHEAVE (ACD-23105, ACD-20305, ACD-23305, ACD-46305)	10-0007	2	74	CROSS	23-0310	1
-	SHEAVE (ACD-23175, ACD-20375, ACD-23375, ACD-46375)	10-0145	2	75	REDUCER	23-0056	1
35	BUSHING (ACD-23105, ACD-20305, ACD-23305, ACD-46305)	9-0010	2	76	REDUCER	23-0226	1
-	BUSHING (ACD-23175, ACD-20375, ACD-23375, ACD-46375)	9-0008	2	77	DECAL SET	34-9048	1
36	BOLT	27-0015	4				

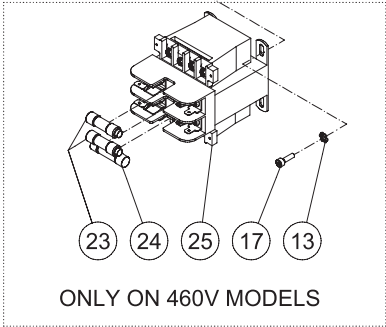
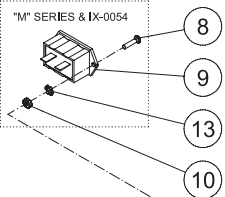
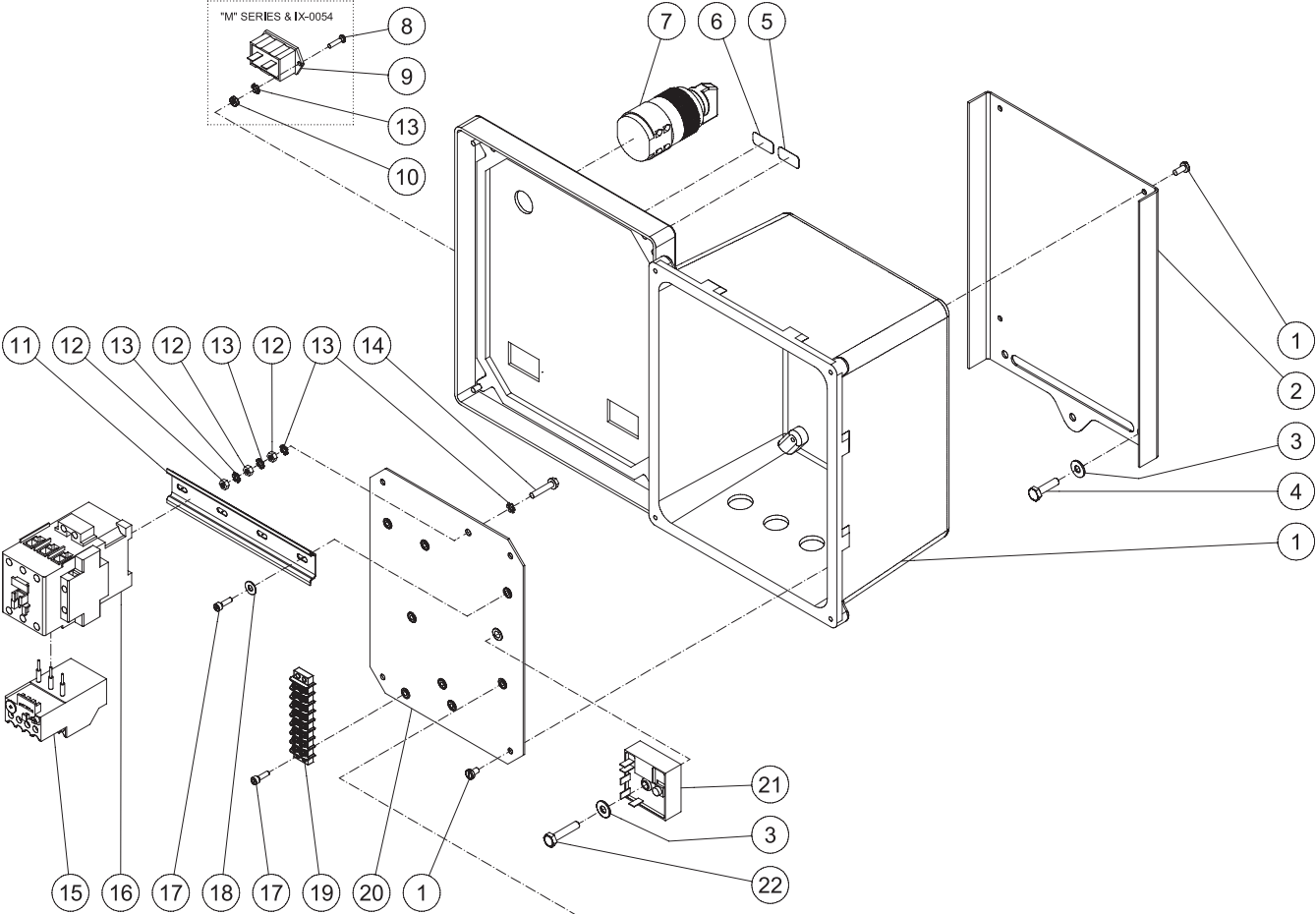
COMPRESSOR PUMP (3-0312)



3-0312 092208-PJH

PUMP 3-0312							
REF #	DESCRIPTION	PART #	QTY	REF #	DESCRIPTION	PART #	QTY
1	AIR STRAINER ASS'Y	19-0257	1	43	PISTON SNAP RING	N/A	4
2	AIR STRAINER ELEMENT	19-0258	1	44	PISTON PIN (1ST)	N/A	1
3	AIR STRAINER COVER GASKET	N/A	1	45	COMPRESSION RING (2ND)	N/A	3
4	UNLOADER COPPER TEE	N/A	1	46	OIL CONTROL RING (2ND)	N/A	1
5	UNLOADER PUSH COVER BOLT; M6 X 25mm	N/A	2	47	PISTON PIN (2ND)	N/A	1
6	UNLOADER PUSH COVER SPRING WASHER; M6	N/A	7	48	PISTON (2ND)	N/A	1
7	UNLOADER PUSH COVER	N/A	1	49	CYLINDER	N/A	1
8	UNLOADER ASSEMBLY	8-0596	1	50	CYLINDER BOLT; M10 X 30mm	N/A	11
9	UNLOADER PUSH COVER GASKET	26-0328	1	51	CYLINDER COPPER WASHER; M10	N/A	13
10	UNLOADER PISTON	N/A	1	52	CYLINDER CRANKCASE GASKET	26-0329	1
11	VITON O-RING UNLOADER	N/A	1	53	CONNECTING ROD ASSEMBLY (1ST)	N/A	1
12	UNLOADER SPRING	N/A	1	54	CONNECTING ROD - PISTON PIN BUSHING (1ST)	N/A	1
13	UNLOADER CYLINDER	N/A	1	55	CONNECTING ROD CRANK PIN METAL (1ST)	N/A	4
14	UNLOADING FORK	N/A	1	56	CONNECTING ROD ASSEMBLY (2ND)	N/A	1
15	UNLOADER BOLT; M6 X 16mm	N/A	1	57	CONNECTING ROD - PISTON PIN NEEDLE BEARING (2ND)	N/A	1
16	UNLOADER GASKET	N/A	1	58	REAR BEARING COVER BOLT; M8 X 30mm	N/A	3
17	UNLOADING ELBOW	N/A	1	59	REAR BEARING COVER	N/A	1
18	UNLOADER ASSEMBLY	8-0597	1	60	REAR BEARING COVER GASKET	26-0332	1
19	UNLOADER PUSH COVER	N/A	1	61	FRONT & REAR BEARING	N/A	2
20	VITON O-RING UNLOADER	N/A	1	62	PLUG-IN OIL LEVEL GLASS	N/A	1
21	UNLOADER PISTON	N/A	1	63	OIL LEVEL GLASS GASKET	N/A	1
22	UNLOADER SPRING	N/A	1	64	CRANKCASE OIL PLUG	N/A	1
23	UNLOADER COPPER WASHER	N/A	1	65	CRANKCASE	N/A	1
24	UNLOADER BODY	N/A	1	66	OIL FILL CAP	N/A	1
25	CYLINDER HEAD BOLT; M10 X 85mm	N/A	6	67	O-RING (OIL FILL CAP)	N/A	1
26	CYLINDER HEAD SPRING WASHER; M10	N/A	7	68	CRANKSHAFT	N/A	1
27	CYLINDER HEAD	N/A	1	69	V-PULLY PIN	N/A	1
28	VALVE PLATE ASSEMBLY	70-0528	1	70	FRONT BEARING COVER GASKET	26-0330	1
29	CYLINDER HEAD - VALVE SEAT GASKET	N/A	1	71	FRONT BEARING COVER	N/A	1
30	VALVE SEAT BOLT; M5 X 12mm	N/A	3	72	BREATHER ASSEMBLY	46-1345	1
31	VALVE SEAT BOLT SPRING WASHER; M5	N/A	3	73	FRONT OIL SEAL	N/A	1
32	VALVE SEAT (UPPER)	N/A	1	74	COMPRESSOR PULLEY	N/A	1
33	VALVE SEAT GASKET	N/A	1	75	COMPRESSOR PULLEY THRUST WASHER	N/A	1
34	VALVE PLATE (1ST)	N/A	4	76	INTER-COOLER BOLT (UPPER)	N/A	3
35	VALVE PLATE SPRING (1ST)	N/A	4	77	INTER-COOLER BODY GASKET (UPPER)	N/A	1
36	VALVE PLATE (2ND)	N/A	2	78	INTER-COOLER BODY	N/A	1
37	VALVE PLATE SPRING (2ND)	N/A	2	79	INTER-COOLER BODY GASKET (BOTTOM)	26-0331	1
38	VALVE SEAT (BOTTOM)	N/A	1	80	INTER-COOLER BOTTOM COVER	N/A	1
39	CYLINDER-VALVE SEAT GASKET	N/A	1	81	INTER-COOLER BOLT (BOTTOM)	N/A	1
40	COMPRESSION RING (1ST)	N/A	2	82	OIL CAP KIT	70-0529	1
41	OIL CONTROL RING (1ST)	N/A	2	83	GASKET KIT (INCLUDES # 9, 16, 29, 33, 39, 52, 60, 70, 79)	70-0530	1
42	PISTON (1ST)	N/A	1				

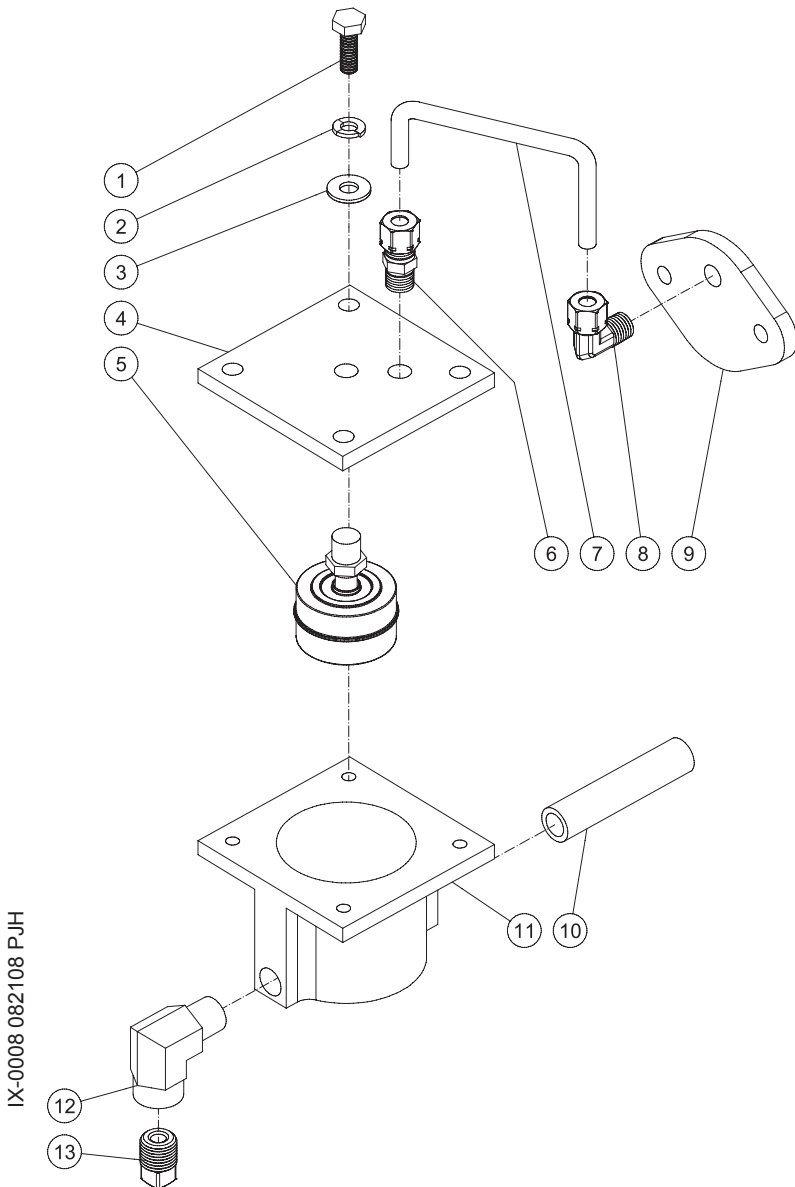
CONTROL BOX



CONTROL BOX 072110-PJH

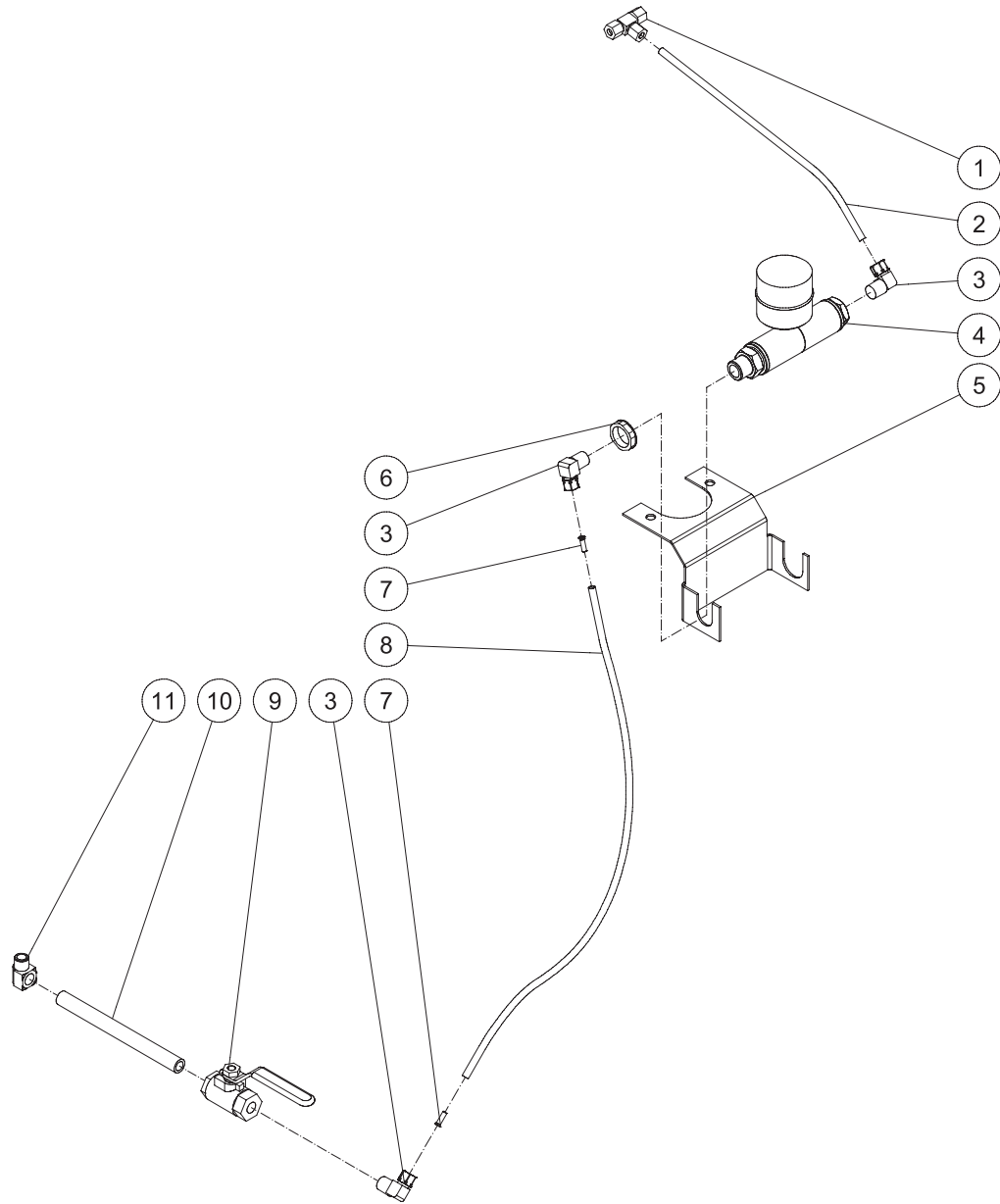
CONTROL BOX - 5_7.5 HP DUPLEX 072110 PJH			
CONTROL BOX			
ITEM	DESCRIPTION	Mi-T-M #	QTY
1	ELECTRIC BOX	32-079901	1
2	MOUNTING PLATE	20-1037A01	1
3	WASHER	28-0002	4
4	BOLT	27-0016	3
5	DECAL - 230 VOLT (SEE 34-9048)	34-0895	1
-	DECAL - 208V	34-0896	1
-	DECAL - 460V	34-0898	1
6	DECAL - 3 PHASE (SEE 34-9048)	34-0965	1
7	CAM SWITCH	32-1022	1
8	SCREW	27-8881	4
9	HOUR METER	32-0668	2
10	NUT	30-0052	4
11	DIN RAIL *(ONE FOOT REQUIRED)	32-0316	1
12	NUT	30-6001	3
13	STAR WASHER	28-1009	10
14	BOLT	27-8807	1
15	OVERLOAD RELAY (ACD-23105)	32-1076	2
-	OVERLOAD RELAY (ACD-20305, ACD-20375, ACD-23375)	32-1075	2
-	OVERLOAD RELAY (ACD-23305)	32-0482	2
-	OVERLOAD RELAY (ACD-46305, ACD-46375)	32-0481	2
-	OVERLOAD RELAY (ACD-23175)	34-0485	2
-	OVERLOAD RELAY (ACD-20375, ACD-23375)	32-1075	2
16	CONTACTOR (ACD-23105)	32-0945	2
-	CONTACTOR (ACD-20305, ACD-23375)	32-0235	2
-	CONTACTOR (ACD-23305)	32-0237	2
-	CONTACTOR (ACD-46305, ACD-46375)	32-0327	2
-	CONTACTOR (ACD-23175)	32-0232	2
-	CONTACTOR (ACD-20375)	32-0945	2
17	SCREW	27-8835	7
18	WASHER	28-0001	3
19	TERMINAL STRIP	32-0436	1
20	CONTROL PANEL	20-1062A06	1
21	TIMER	32-1020	1
22	BOLT	27-0017	1
23	FUSE	32-0467	2
24	FUSE	32-0323	1
25	TRANSFORMER	32-0313	1
26	REDUCING WASHER (NOT SHOWN)	32-0814	4
*MUST ORDER IN ONE FOOT LENGTHS			

LOW OIL SHUTDOWN (IX-0008)



IX-0008 082108-CJB			
LOW OIL SHUTDOWN			
REF #	DESCRIPTION	PART #	QTY
1	BOLT	27-0015	4
2	LOCKWASHER	29-0006	4
3	WASHER	28-0002	4
4	LID	56-0063	1
5	FLOAT	32-0998	1
6	ADAPTER	23-0328	1
7	COPPER TUBING *(ONE FOOT REQUIRED)	54-0034	1
8	ELBOW	23-0316	1
9	OIL PLATE	20-1125	1
10	NIPPLE	24-0145	1
11	OIL CANISTER	56-0062	1
12	ELBOW	24-0021	1
13	PLUG	24-0009	1

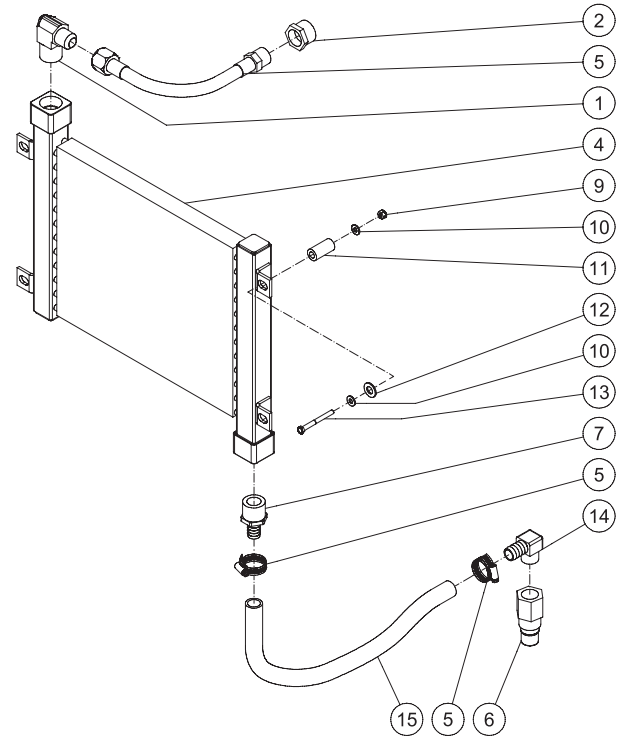
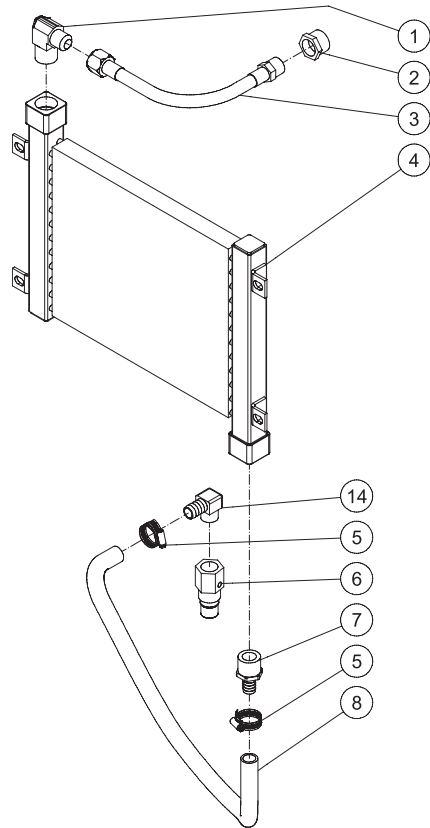
TANK DRAIN OPTION (IX-0032)



IX-0032 020909-PJH			
TANK DRAIN OPTION			
ITEM	DESCRIPTION	Mi-T-M #	QTY
1	TEE	23-0476	1
2	HOSE *(ONE FOOT REQUIRED)	15-0238	1
3	ADAPTER	23-0417	3
4	PNEUMATIC DRAIN	22-0448	1
5	BRACKET	13-0197A01	1
6	ELECTRICAL LOCKNUT	32-0108	1
7	TUBE SUPPORT	23-0425	2
8	HOSE *(TWO FEET REQUIRED)	15-0238	1
9	BALL VALVE	22-0002	1
10	NIPPLE	24-0315	1
11	ELBOW	23-0014	1

IX-0032 020909 PJH

AFTERCOOLER (IX-0033)



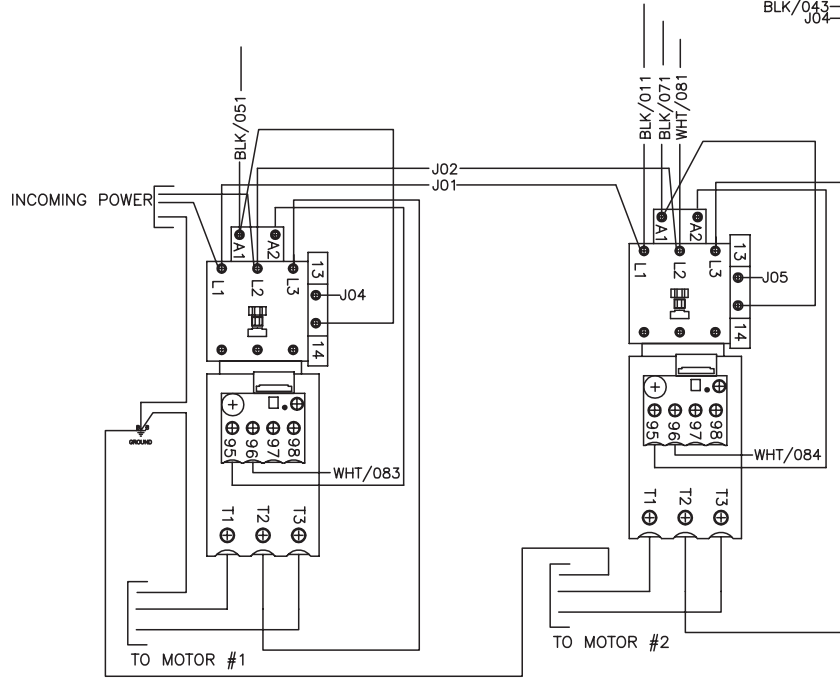
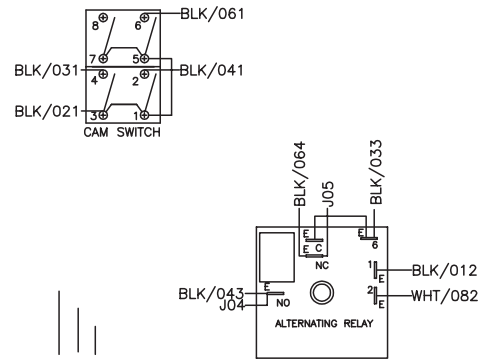
IX-0033 120308 PJH

IX-0033-123008-PJH

AFTERCOOLER OPTIONS

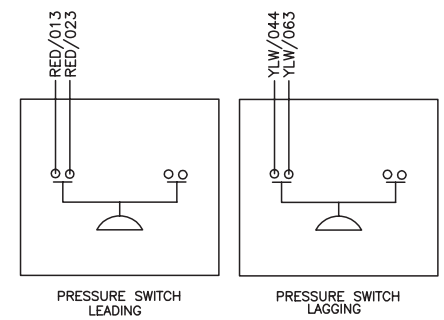
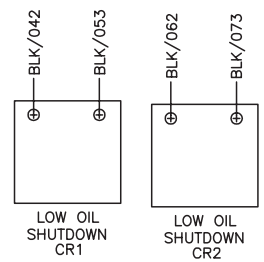
ITEM	DESCRIPTION	Mi-T-M #	QTY
1	AFTERCOOLER	33-0487	2
2	REDUCER	23-0473	4
3	ADAPTER	24-0321	2
4	HOSE	15-0286	2
5	HOSE	15-0285	2
6	ELBOW	23-0472	2
7	LOCKNUT	30-0155	8
8	WASHER	28-0002	16
9	GROMMET	33-0366	4
10	WASHER	28-0005	8
11	BOLT	27-0016	4
14	SPACER	20-1020A52	4
15	BOLT	27-0022	4
12	NIPPLE	24-0095	2
13	ELBOW	24-0284	2

WIRE SCHEMATIC 230V 1 PHASE



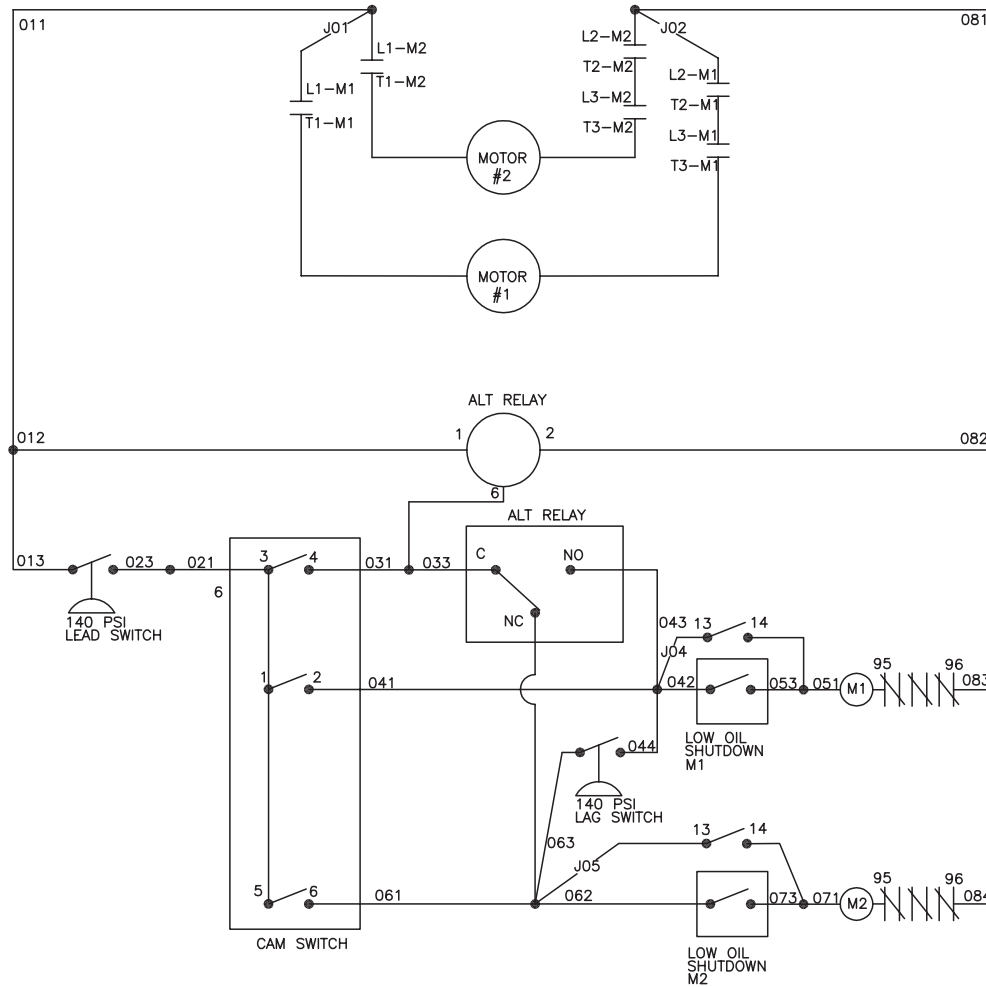
BLK/011	01	RED/013
BLK/012	02	RED/023
BLK/021	03	BLK/033
BLK/031	04	BLK/043
BLK/041	05	BLK/053
BLK/051	06	YLW/063
BLK/061	07	BLK/073
BLK/062	08	WHT/083
BLK/071		WHT/082

230V

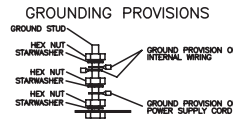
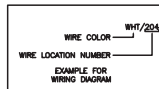


WIRE SCHEMATIC 230V SINGLE PHASE DUPLEX

WIRE DIAGRAM 230V 1 PHASE



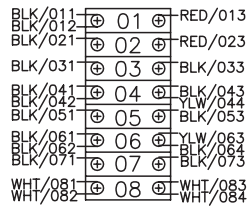
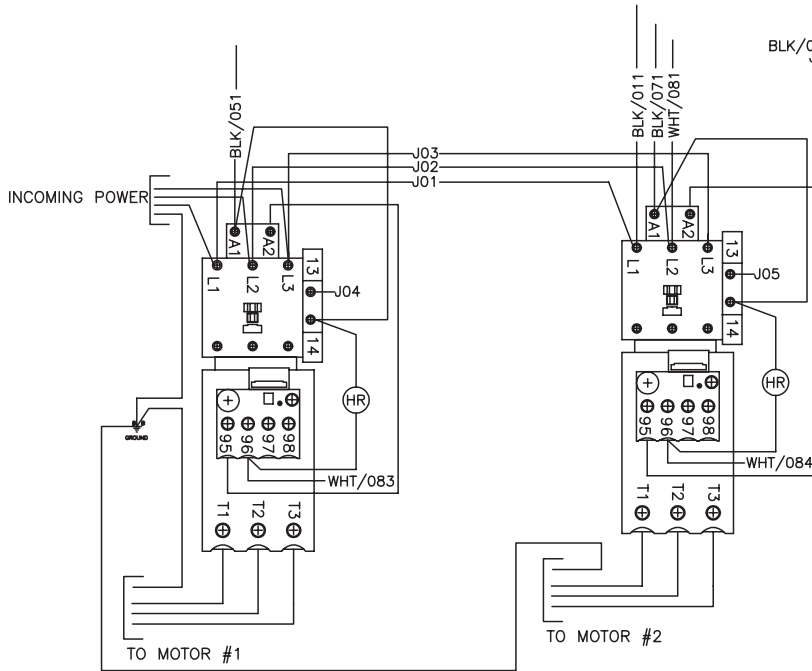
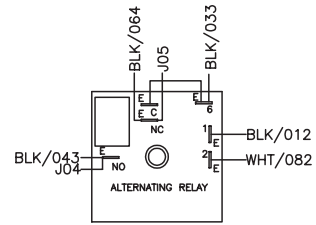
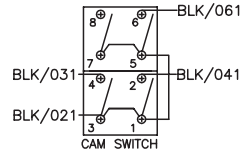
- NOTES:
 1) ALL WIRES ARE 16GA UNLESS OTHERWISE SPECIFIED
 2) IF THERE IS NO LOW OIL SHUTDOWN, PLACE JUMPERS BETWEEN TERMINALS 04-05 AND 06-07



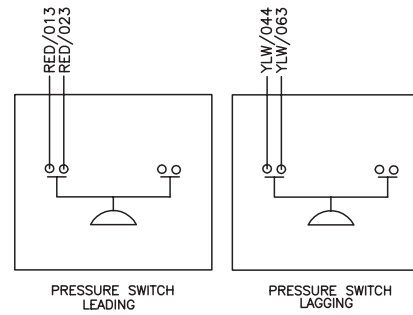
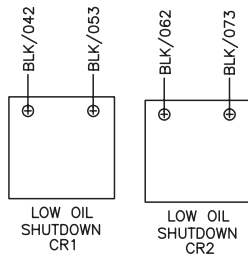
WIRING INFORMATION		
HP	VOLTAGE	WIRE SIZE
5	230	10
7.5	230	8
10	230	8

WIRE DIAGRAM 230V SINGLE PHASE DUPLEX

WIRE SCHEMATIC 200/230V 3 PHASE

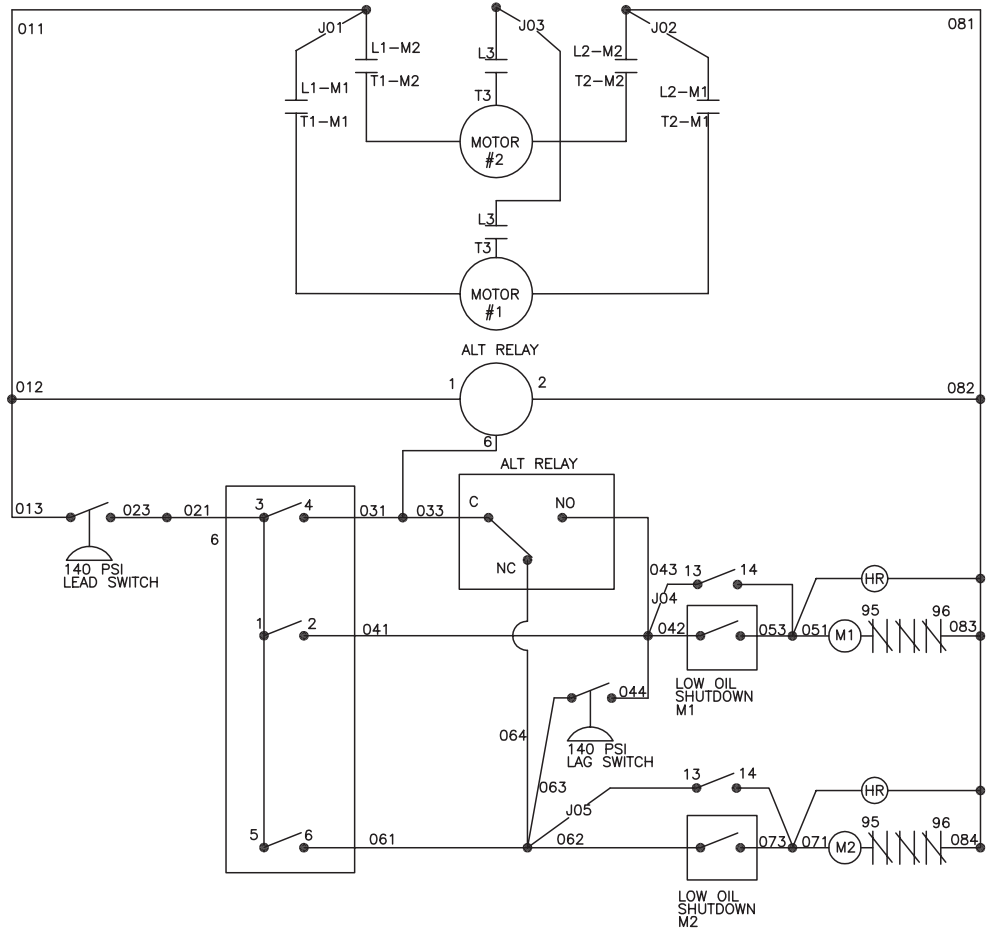


230V



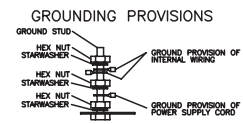
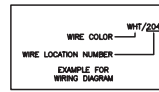
WIRE SCHEMATIC 200/230V THREE PHASE DUPLEX 052115

WIRE DIAGRAM 200/230V 3 PHASE



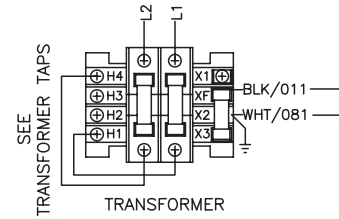
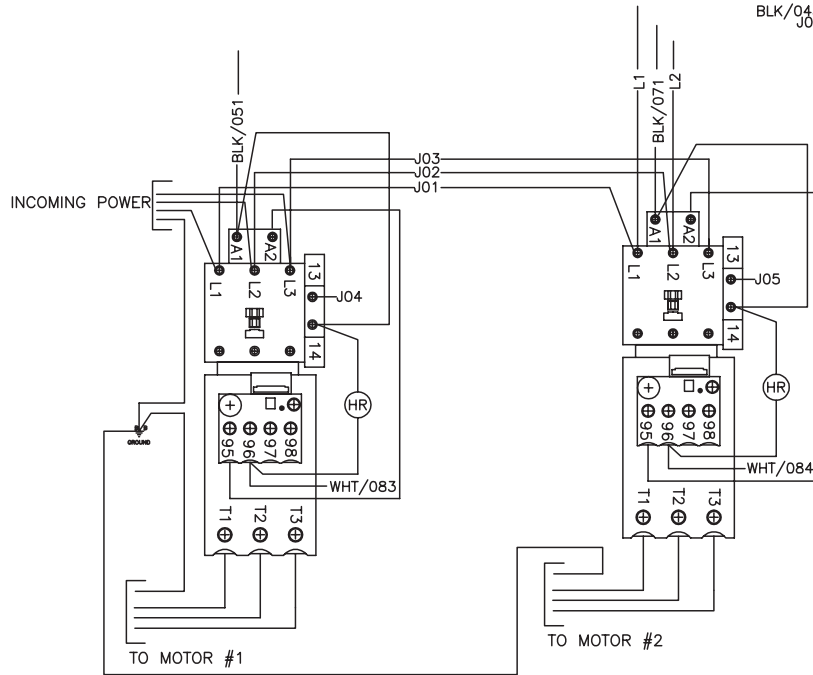
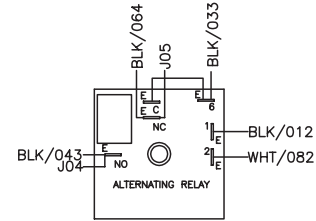
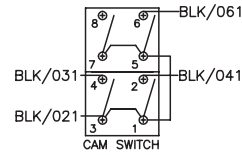
- NOTES:
- 1) ALL WIRES ARE 16GA UNLESS OTHERWISE SPECIFIED
 - 2) IF THERE IS NO LOW OIL SHUTDOWN, PLACE JUMPERS BETWEEN TERMINALS 04-05 AND 06-07

WIRING INFORMATION		
HP	VOLTAGE	WIRE SIZE
5	200	12
	230	14
7.5	200	10
	230	12
10	200	8
	230	10
15	200	8
	230	8
20	200	6
	230	6
25	200	4
	230	6
30	200	4
	230	4

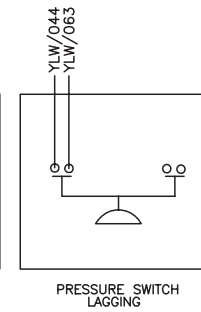
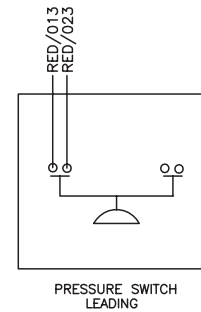
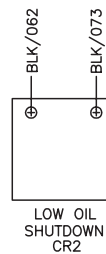
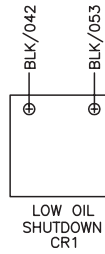


WIRE DIAGRAM 200/230V THREE PHASE DUPLEX 052115

WIRE SCHEMATIC 460V 3 PHASE

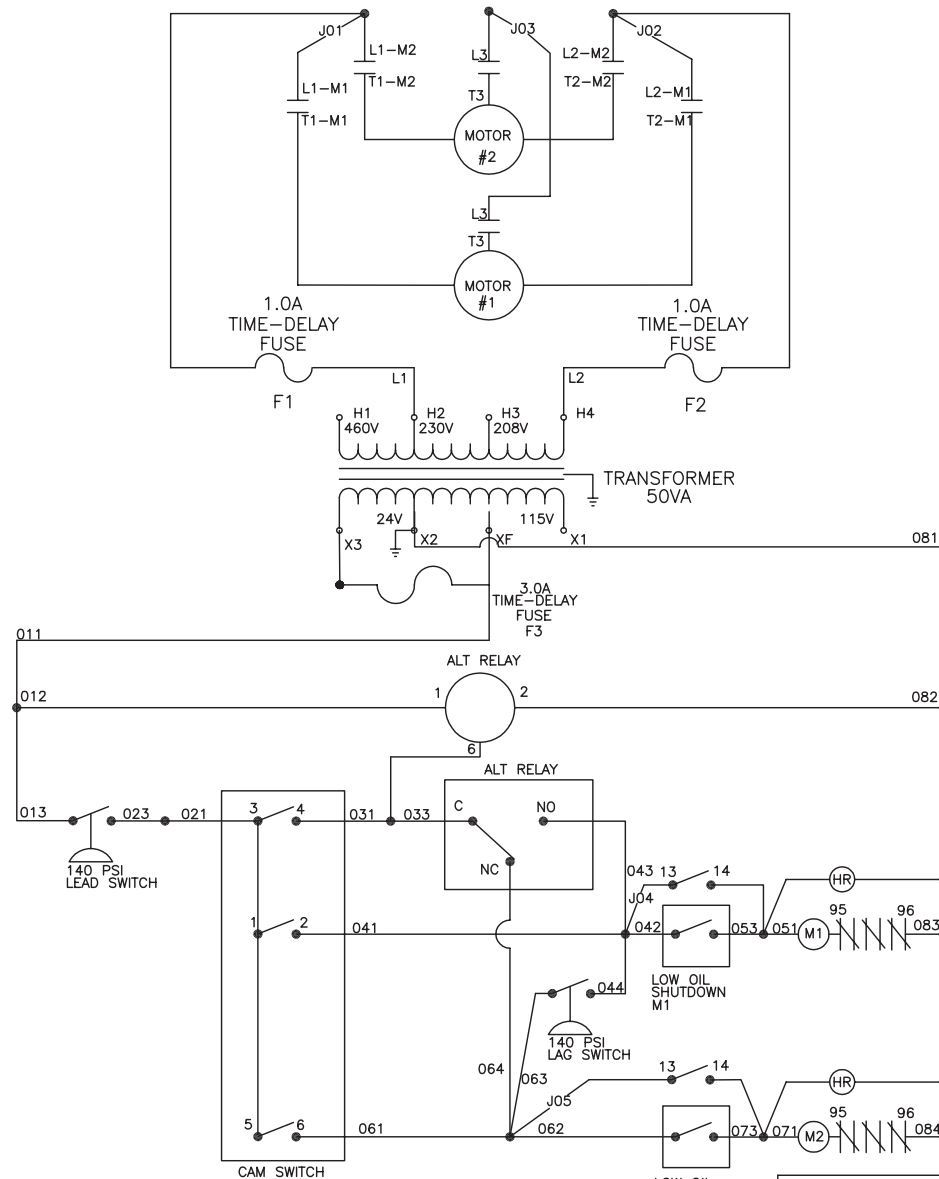


BLK/011	⊕ 01	⊕ RED/013
BLK/012	⊕ 02	⊕ RED/023
BLK/021	⊕ 03	⊕ BLK/033
BLK/041	⊕ 04	⊕ BLK/043
BLK/042	⊕ 05	⊕ YLW/044
BLK/051	⊕ 06	⊕ BLK/053
BLK/061	⊕ 07	⊕ YLW/063
BLK/062	⊕ 08	⊕ BLK/064
BLK/071	⊕ 09	⊕ BLK/073
WHT/081	⊕ 10	⊕ WHT/083
WHT/082	⊕ 11	⊕ WHT/084

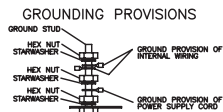
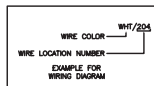


WIRE SCHEMATIC 460V THREE PHASE DUPLEX 052115

WIRE DIAGRAM 460V 3 PHASE



- NOTES:
 1) ALL WIRES ARE 16GA UNLESS OTHERWISE SPECIFIED
 2) IF THERE IS NO LOW OIL SHUTDOWN, PLACE JUMPERS BETWEEN TERMINALS 04-05 AND 06-07



WIRING INFORMATION		
HP	VOLTAGE	WIRE SIZE
5	460	14
7.5	460	14
10	460	14
15	460	12
20	460	10
25	460	8
30	460	8

Manufactured by Mi-T-M
50 Mi-T-M Drive, Peosta IA 52068
563-556-7484/ Fax 563-556-1235