

PARTS LIST FOR
HOM 3506
HEATER MODULE
(AFTER SERIAL #10583509)

This Parts Listing has been compiled for your benefit. You can be assured your hot water heater module was constructed and designed with quality and performance in mind. Each component has been rigorously tested to insure the highest level of acceptance.

The contents of this Parts Listing are based on the latest product information available at the time of publication. The manufacturer reserves the right to make changes in price, color, materials, equipment, specifications or models at any time without notice.

WARNING
THIS IS A PROFESSIONAL HOT WATER HEATER MODULE. CAUTION SHOULD BE OBSERVED WHEN
INSTALLING, USING OR REPAIRING THIS UNIT! READ AND FOLLOW THE SAFETY WARNINGS BEFORE ATTEMPTING ANY REPAIRS
ON THIS HEATER MODULE!

1. NEVER alter or modify the equipment. Use only genuine manufacturer parts for repair of your heater module. Failure to do so can cause hazardous operating conditions and will VOID warranty. Repairs performed on this heater module should be done by a qualified serviceman in accordance with local, state and national regulations.
2. This unit has multiple safety devices which should never be altered, modified, removed or made inoperable. If a device fails, replace immediately with only genuine manufacturer replacement parts.
3. Electrical System:
 The unit must be connected to a properly grounded electrical source which provides the correct voltage and adequate fuse protection. Disconnect from power source when making repairs. Never assume the heater module is safe to work on just because it is not operating. It could restart at any time.

 Never operate heater module with electrical enclosures open, removed or damaged. Do not allow metal components of the pressure washer to come in contact with live electrical components.
4. Do not operate the unit without all protective covers in place. Before servicing the unit, always shut off the unit and trigger the gun to release trapped pressure. Know how to stop the heater module and bleed pressures quickly. Be thoroughly familiar with controls. Be sure any accessory items and system components being used will withstand the pressure developed.

Table of Contents

| | |
|--|-----------|
| NOTES | 3 |
| NOTES | 4 |
| SPECIFICATIONS | 5 |
| DECAL PLACEMENT | 6 |
| BURNER ASSEMBLY | 8 |
| BURNER | 10 |
| ELECTRIC BOX ASSEMBLY | 12 |
| WIRE SCHEMATIC (AFTER SERIAL #15083509) | 14 |
| WIRE DIAGRAM (AFTER SERIAL #15083509) | 15 |

NOTES

SERIAL NUMBER

#15083509

DATE

08-13-13

REASON FOR CHANGE

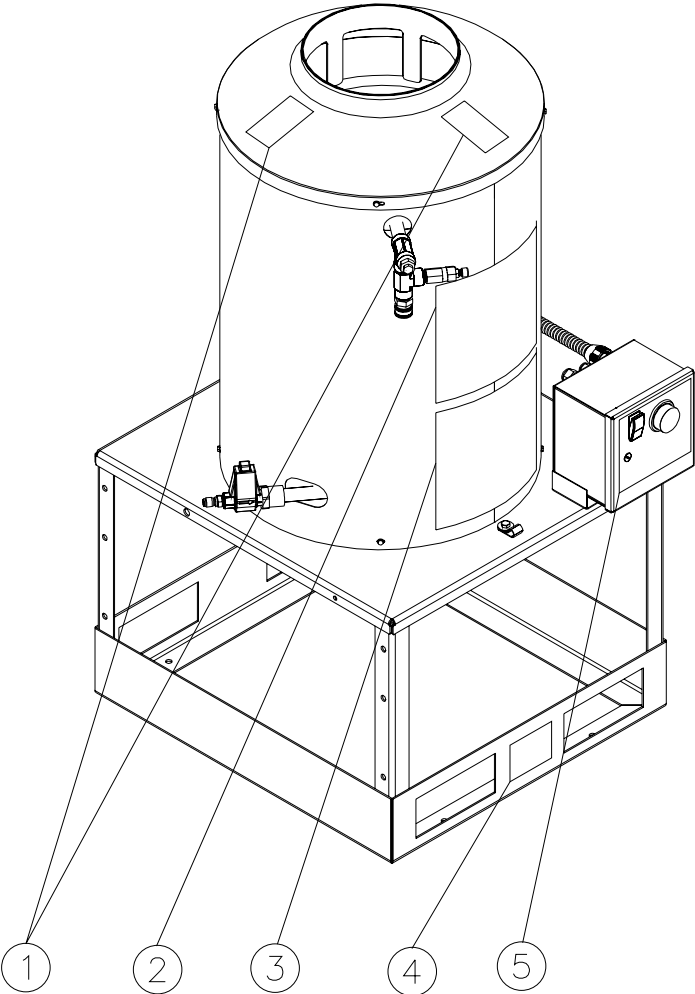
REMOVED IGNITOR IN BURNER IN LADDER DIAGRAM

NOTES

SPECIFICATIONS

| | |
|----------------------------------|---|
| MODEL NUMBER | HOM-3506-0E10 |
| Operating Pressure (PSI/Bar): | Max 3500/241 |
| Water Volume (GPM/lpm): | Max 6.0/22.5 |
| Outlet Water Temperature (F/C) | 140°F / 78°C (+/- 10°F) rise above inlet ambient at 4GPM/15.1 lpm |
| Burner | |
| Fuel Type | No. 1 or No. 2 Fuel Oil, Diesel or Kerosene |
| Fuel Filter/ Water Separator | Spin On (10 Micron) Filter / E-Z Water Drain |
| Fuel Pump | Two Line, Single Stage |
| Fuel Pressure (PSI/ BAR) | 150 / 10.4 |
| Fuel Nozzle | 2.25 80° B Delavan |
| Fuel Consumption (GPH/ LPH) | 2.76 / 10.4 Cont. Burner |
| Burner Electrical System | |
| Voltage | 115 |
| Amps | 3.2 |
| Heat Exchanger: | Vertical, Oil Fired, Pancake Coil |
| BTU Input | 386,400 |
| Efficiency | 75% with No. 2 Fuel Oil/ Diesel |
| Smoke Density | 3-0 per ASTM D2156 |
| Electric Controls: | |
| Burner Controls | Rocker Switch |
| Control Voltage | 115 Volt AC |
| Safety Devices: | |
| Thermostat | Adjustable |
| Fuel Solenoid | 115 Volt, controls fuel supply to burner |
| Safety Relief | Relieves Excessive System Pressure |
| Unit Net Weight (Lbs/kg): | 330/150 |
| Unit Shipping Weight (Lbs/kg): | 450/204 |
| Unit Net Dimension (In/cm): | 24.25L x 26.25W x 49.75H/61.5L x 67W x 126.5H |
| Unit Shipping Dimension (In/cm): | 57.5L x 35.5W x 59.5H/146L x 90W x 151H |

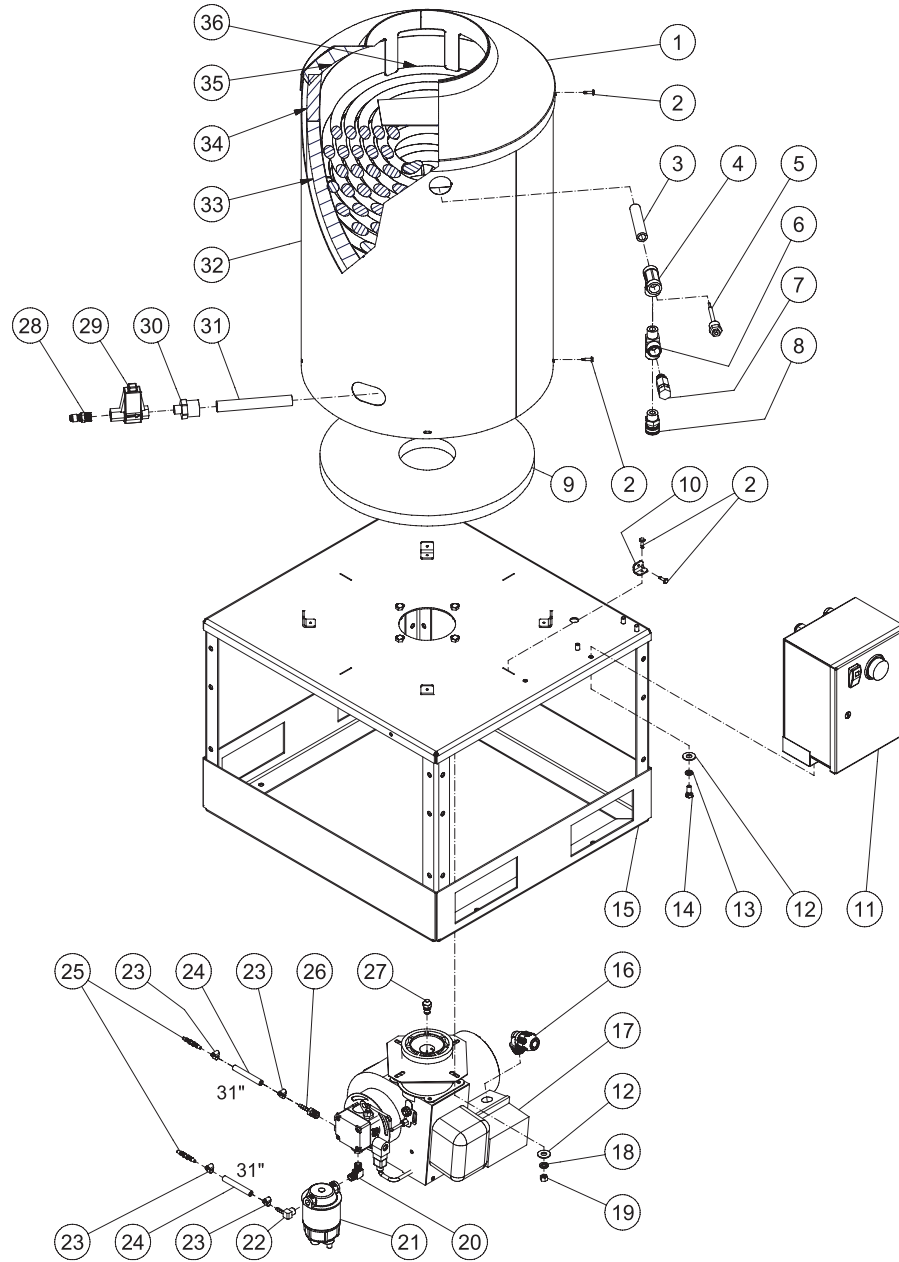
DECAL PLACEMENT



HGM SPECS AND SAFETY DECALS-032602-BAR

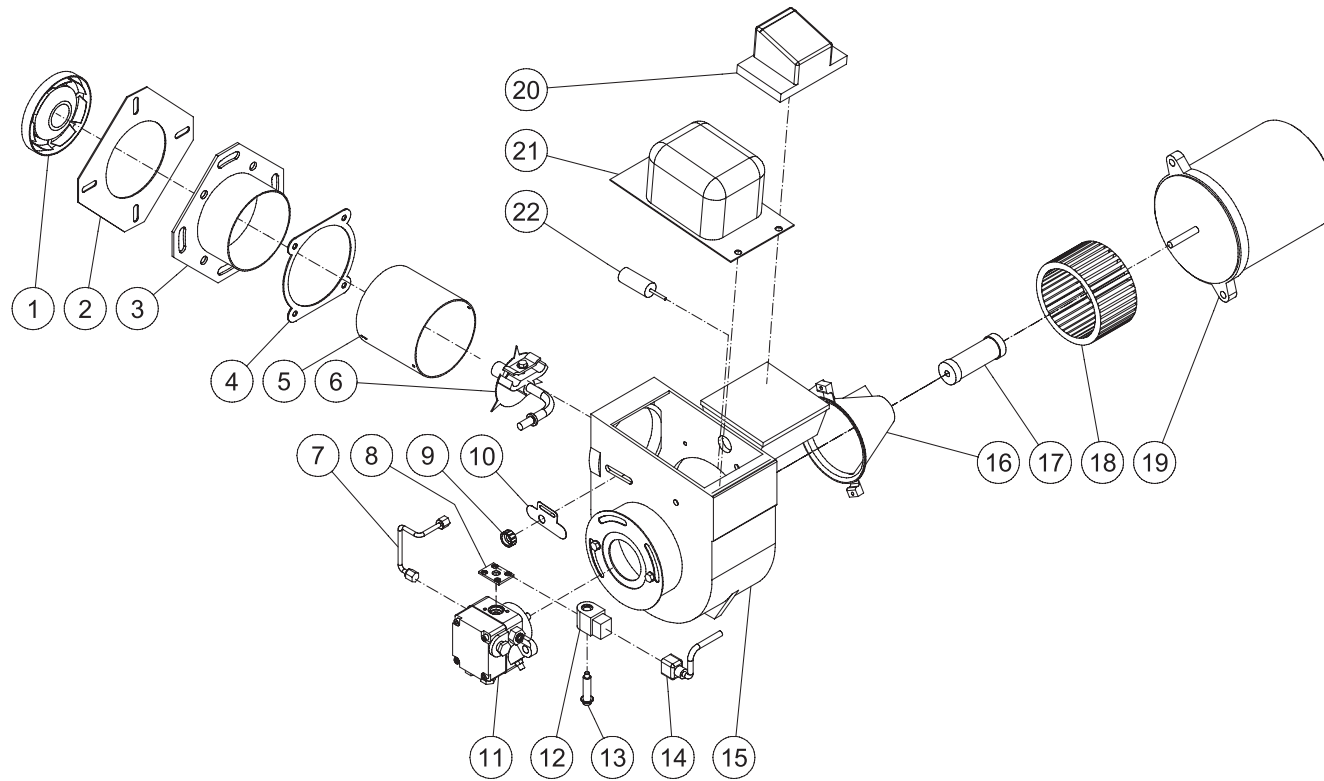
| DECAL PLACEMENT | | | |
|------------------------|---|---------------|-------------|
| REF. # | DESCRIPTION | PART # | QTY. |
| 1 | Decal- Warning: Hot Surface (See 34-9021) | N/A Sep. | 2 |
| 2 | Decal- Warning/Caution (See 34-9021) | N/A Sep. | 1 |
| 3 | Decal- Operating Instructions (See 34-9021) | N/A Sep. | 1 |
| 4 | Decal- Data Plate | N/A | 1 |
| 5 | Decal- Electric Box (See 34-9021) | N/A Sep. | 1 |
| | Safety Decal Kit (Includes 1-3, 5) | 34-9021 | |

BURNER ASSEMBLY



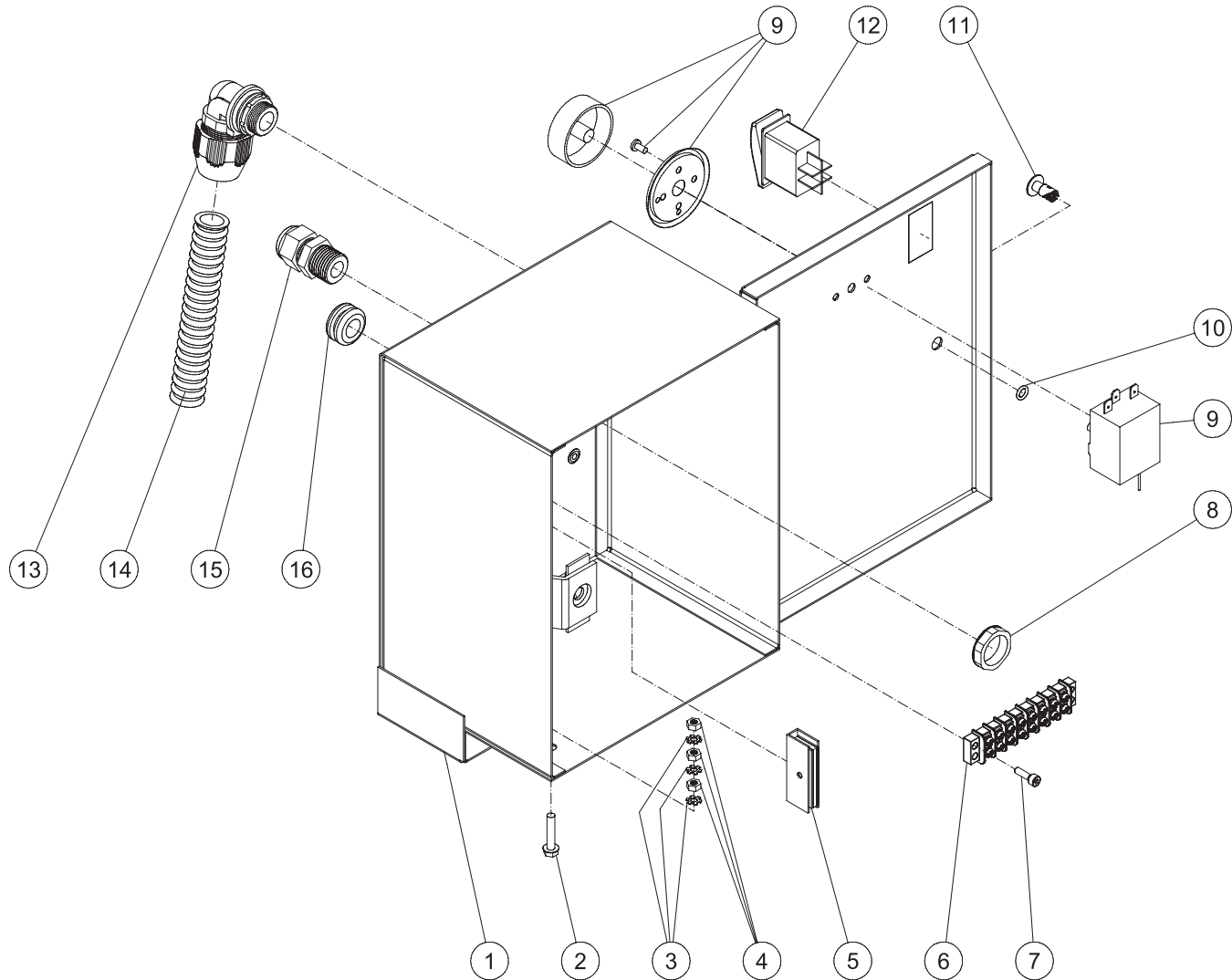
| HOM BURNER ASST 111909-CH | | | |
|---------------------------------|--------------------------------|------------|-----|
| BURNER ASSEMBLY | | | |
| ITEM | DESCRIPTION | Mi-T-M # | QTY |
| 1 | DOME | 20-0621A18 | 1 |
| 2 | BOLT | 27-3064 | 16 |
| 3 | PIPE NIPPLE | 24-0244 | 1 |
| 4 | TEE | 24-0055 | 1 |
| 5 | ADJUSTABLE THERMOSTAT | 32-0962 | 1 |
| 6 | STREET TEE | 24-0242 | 1 |
| 7 | SAFETY RELIEF VALVE | 22-0309 | 1 |
| 8 | QUICK CONNECT SOCKET | 17-0029 | 1 |
| 9 | INSUALTION BLANKET | 850-0389 | 1 |
| 10 | CLIP/COIL RETAINER | 20-0651A18 | 4 |
| 11 | HOM ELECTRIC BOX ASSEMBLY | N/A | 1 |
| 12 | WASHER | 28-0023 | 8 |
| 13 | LOCKWASHER | 29-0007 | 4 |
| 14 | BOLT | 27-0066 | 4 |
| 15 | COIL BASE | 5-0289A18 | 1 |
| 16 | CONDUIT ELBOW | 32-0254 | 1 |
| 17 | BURNER | 4-0028 | 1 |
| 18 | LOCKWASHER | 29-0008 | 4 |
| 19 | NUT | 30-0006 | 4 |
| 20 | ELBOW | 23-0130 | 1 |
| 21 | FUEL FILTER / WATER SEPERATOR | 19-0070 | 1 |
| 22 | ELBOW | 23-0054 | 1 |
| 23 | CLAMP WORM | 42-0004 | 4 |
| 24 | FUEL HOSE *(SIX FEET REQUIRED) | 15-0008 | 2 |
| 25 | COUPLING | 55-0679 | 2 |
| 26 | BARB | 23-0051 | 1 |
| 27 | FUEL NOZZLE | 18-0090 | 1 |
| 28 | QUICK CONNECT | 17-0005 | 1 |
| 29 | FLOW SWITCH | 22-0348 | 1 |
| 30 | REDUCER | 24-0048 | 1 |
| 31 | PIPE NIPPLE | 24-0254 | 1 |
| 32 | OUTER WRAP | 20-0634A18 | 1 |
| 33 | INSULATION BLANKET | 850-0313 | 1 |
| 34 | INSULATION BLANKET | 850-0314 | 1 |
| 35 | INSULATION DOME | 850-0315 | 1 |
| 36 | HEAT EXCHANGER COIL | 66-0023 | 1 |
| *MUST ORDER IN ONE FOOT LENGTHS | | | |

BURNER



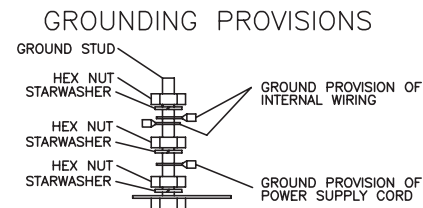
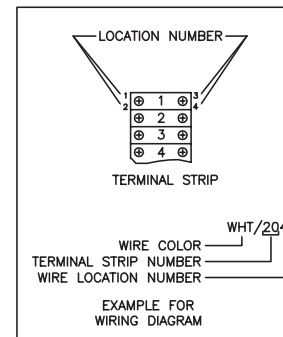
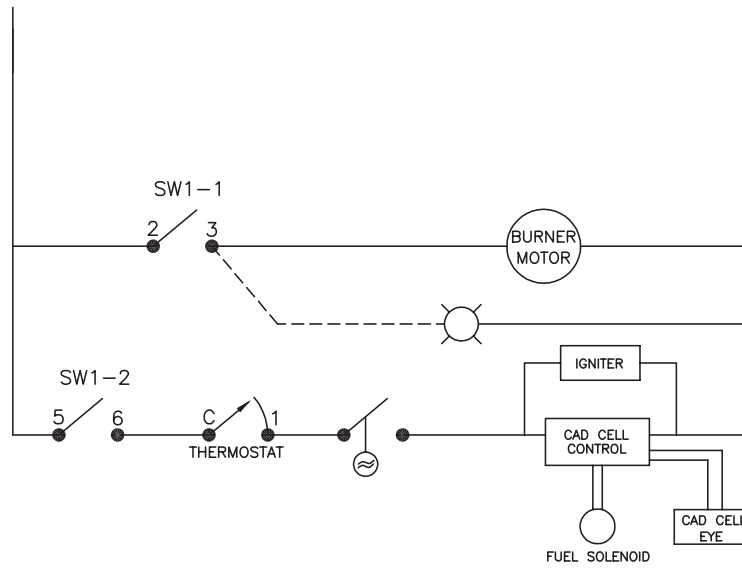
| BURNER | | | |
|--------|----------------------------------|---------|-----|
| ITEM | DESCRIPTION | PART # | QTY |
| - | BURNER COMPLETE 120V SM (4-0028) | 4-0028 | 1 |
| 1 | BURNER HEAD | 44-0011 | 1 |
| 2 | GASKET/MOUNTING | 44-0108 | 1 |
| 3 | FLANGE | 44-0109 | 1 |
| 4 | GASKET | 26-0138 | 1 |
| 5 | AIR TUBE | 44-0110 | 1 |
| 6 | NOZZLE LINE ASSY | 44-0111 | 1 |
| 7 | COPPER FUEL TUBE | 44-0025 | 1 |
| 8 | TUBE BASE PLATE | 46-1004 | 1 |
| 9 | ESCUTCHEON PLATE SPLINE NUT | 44-0022 | 1 |
| 10 | ESCUTCHEON PLATE | 44-0031 | 1 |
| 11 | FUEL PUMP | 3-0434 | 1 |
| 12 | SOLENOID COIL | 46-1020 | 1 |
| 13 | VALVE STEM | 46-1510 | 1 |
| 14 | CORD SET | 44-0122 | 1 |
| 15 | BURNER HOUSING | 44-0033 | 1 |
| 16 | AIR GUIDE | 44-0123 | 1 |
| 17 | COUPLING | 44-0127 | 1 |
| 18 | BLOWER WHEEL | 44-0124 | 1 |
| 19 | MOTOR (4-0028) | 2-0068 | 1 |
| 20 | CAD CELL | 44-0052 | 1 |
| 21 | IGNITOR ASSY | 44-0017 | 1 |
| 22 | CAD CELL DETECTOR | 44-0048 | 1 |

ELECTRIC BOX ASSEMBLY

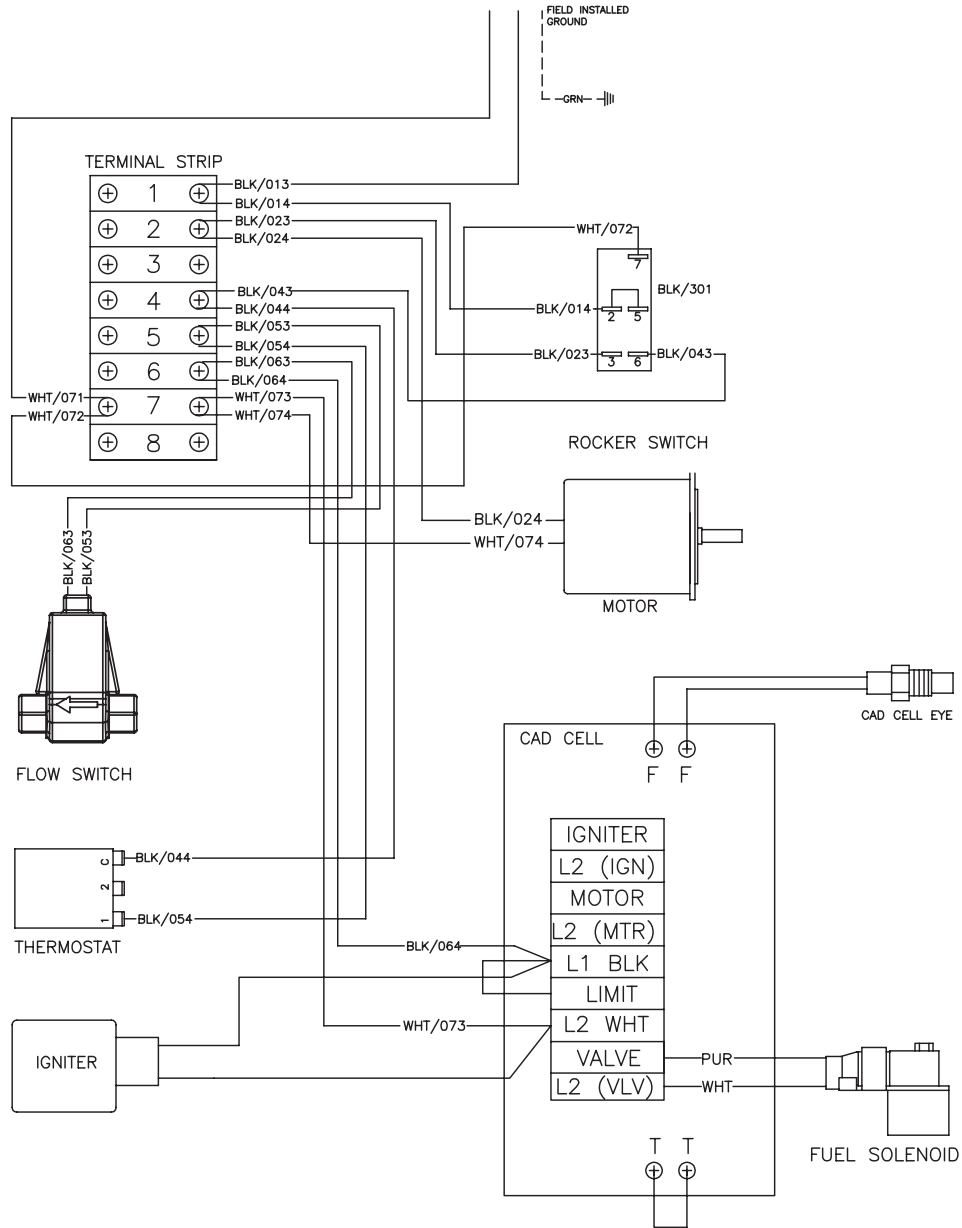


| HOM ELECTRIC BOX ASSY 111909-CH | | | |
|---------------------------------|-----------------------------------|------------|-----|
| ELECTRIC BOX ASSEMBLY | | | |
| ITEM | DESCRIPTION | Mi-T-M # | QTY |
| 1 | ELECTRIC BOX | 32-0765A18 | 1 |
| 2 | BOLT | 27-8807 | 1 |
| 3 | STAR WASHER | 28-1009 | 3 |
| 4 | NUT | 30-6001 | 3 |
| 5 | MAGNETIC CATCH | 33-0390 | 1 |
| 6 | TERMINAL STRIP | 32-0436 | 1 |
| 7 | SCREW | 27-8835 | 2 |
| 8 | ELECTRICAL LOCKNUT | 32-0108 | 1 |
| 9 | ADJUSTABLE THERMOSTAT | 32-0962 | 1 |
| 10 | O-RING | 25-0209 | 1 |
| 11 | FASTENER | 33-0197 | 1 |
| 12 | ROCKER SWITCH | 32-0669 | 1 |
| 13 | CONDUIT ELBOW | 32-0254 | 1 |
| 14 | CONDUIT FLEX *(TWO FEET REQUIRED) | 32-0253 | 1 |
| 15 | STRAIN RELIEF | 32-0437 | 1 |
| 16 | GROMMET | 33-0001 | 1 |
| *MUST ORDER IN ONE FOOT LENGTHS | | | |

WIRE SCHEMATIC (AFTER SERIAL #15083509)



WIRE DIAGRAM (AFTER SERIAL #15083509)



WD HOM-3506-0E10 081313 MLK

Manufactured by Mi-T-M
50 Mli-T-M Drive, Peosta IA 52068
563-556-7484/ Fax 563-556-1235