



PARTS LIST FOR  
***WLP-40AB-0M11***  
***WLP-40AB-0M31***  
WATER RECYCLING TREATMENT SYSTEM

Congratulations on the purchase of your new Mi-T-M water recycling treatment system! This parts listing has been compiled for your benefit. You can be assured your Mi-T-M water recycling treatment system was constructed and designed with quality and performance in mind. Each component has been rigorously tested to insure the highest level of acceptance.

The contents of this parts listing are based on the latest product information available at the time of publication. Mi-T-M reserves the right to make changes in price, color, materials, equipment, specifications or models at any time without notice.

## **WARNING**

**THIS IS A PROFESSIONAL WATER RECYCLING TREATMENT SYSTEM. CAUTION SHOULD BE OBSERVED WHEN USING OR REPAIRING THIS UNIT! READ AND FOLLOW THE SAFETY WARNINGS LISTED BELOW BEFORE ATTEMPTING ANY REPAIRS ON THIS WATER RECYCLING TREATMENT SYSTEM!**

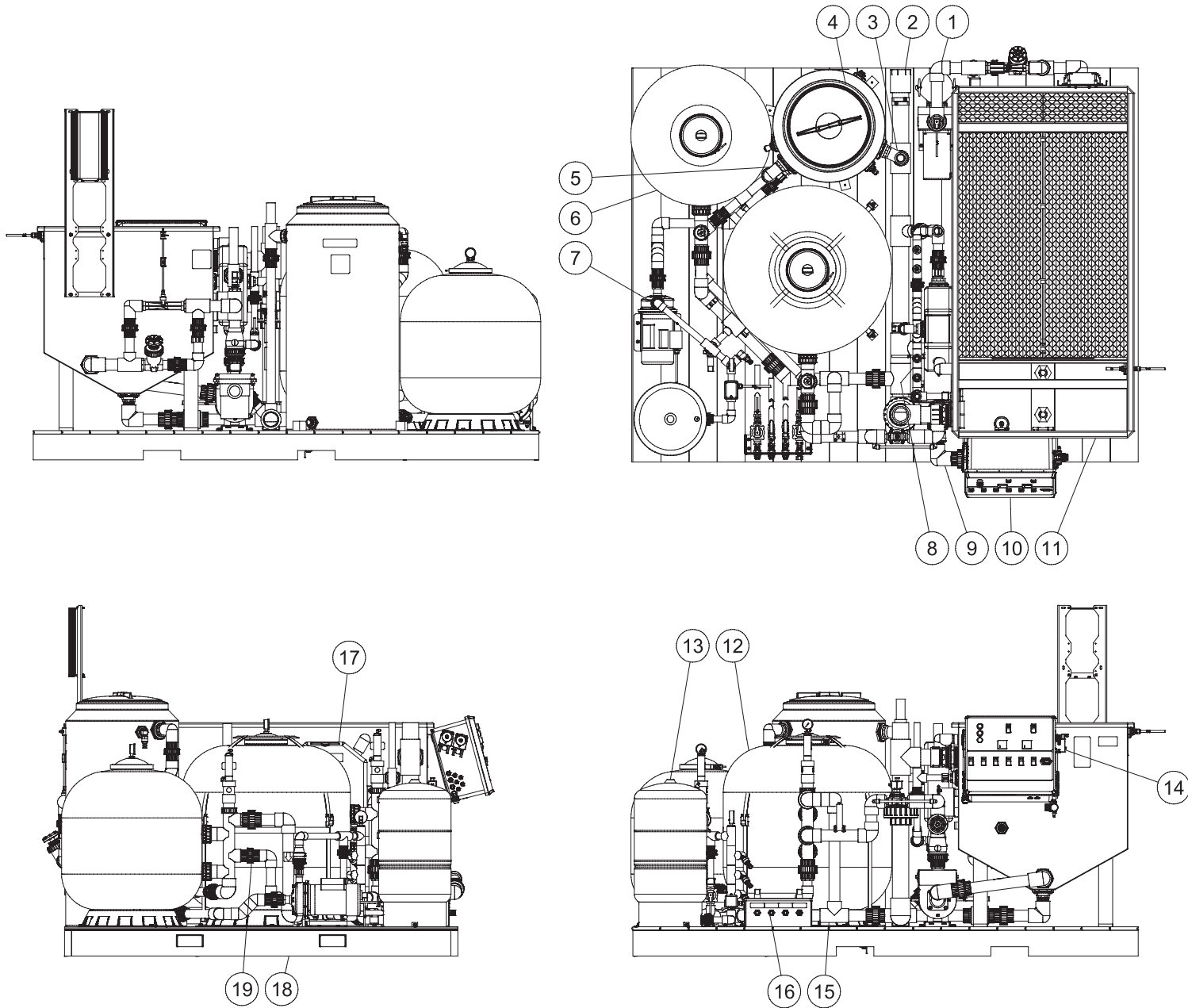
## **SAFETY WARNINGS**

1. Serious injury or death could occur if the water recycling treatment system is not properly grounded. Your water recycling treatment system is powered by electricity and may cause electric shock or electrocution if not installed properly. Installation to this unit, including all electrical connections, must comply with all local, state and national codes. Any electrical wiring or repairs performed on this water recycling treatment system should be done by Authorized Service Personnel in accordance with National and Local electrical codes.
2. NEVER alter or modify the equipment. Use only genuine Mi-T-M parts for repair of your water recycling treatment system. Failure to do so can cause hazardous operating conditions and will VOID warranty.
3. Know how to stop and bleed pressures quickly. Be thoroughly familiar with controls. Do not operate without protective cover/guards. Follow the maintenance instructions specified in your operator's manual.
4. Before servicing, ALWAYS shut off the water and the unit. Allow the unit to cool down and drain the water. NEVER assume the water recycling treatment system is safe to work on just because it is not operating. It could restart at any time! ALWAYS disconnect from the power source.
5. Be especially careful it properly dispose of any flammable materials. Consult Materials Safety Data Sheets for safe handling of chemicals used with your system, especially oxidizers and acids.

## Table of Contents

MAIN ASSEMBLY .....	4
PLUMBING: INLET PUMP ASSEMBLY .....	6
SUMP PUMP (3-0328 SINGLE PHASE) (3-0317 THREE PHASE) .....	8
TANK ASSEMBLY .....	10
OIL DECANter ASSEMBLY .....	12
PLUMBING: PH & ORP SENSOR.....	14
PH / ORP PUMP (3-0316).....	16
PLUMBING: TANK DRAIN ASSEMBLY.....	18
FILTER PUMP ASSEMBLY .....	20
FILTER PUMP (3-0329 SINGLE PHASE) (3-0319 THREE PHASE) .....	22
SOLENOID 1" FNPT (22-0441) .....	23
MEDIA FILTER ASSEMBLY .....	24
36" MEDIA FILTER SIDE MOUNT (19-0562).....	25
SLIDE VALVE ASSEMBLY .....	26
2" SLIDE VALVE (55-0101) .....	27
PLUMBING: MEDIA FILTER TO POLISHING FILTER .....	28
POLISHING FILTER ASSEMBLY .....	30
30" MEDIA FILTER SIDE MOUNT (19-0561).....	31
PLUMBING: FILTER DRAIN ASSEMBLY.....	32
PLUMBING: PRODUCT TANK INLET ASSEMBLY.....	34
PLUMBING: PRODUCT TANK OVERFLOW .....	35
PRODUCT TANK ASSEMBLY.....	36
TRANSFER PUMP ASSEMBLY .....	38
TRANSFER PUMP (3-0218 SINGLE PHASE) (3-0324 THREE PHASE) .....	40
PRESSURE TANK ASSEMBLY.....	42
MANIFOLD ASSEMBLY .....	44
OZONE GENERATOR .....	46
CONTROL PANEL .....	48
CONTROL PANEL PLATE ASSEMBLY (AFTER SERIAL #30000144) .....	50
AIR CONTROL SYSTEM.....	52
SUMP PIT ASSEMBLY .....	53
LADDER DIAGRAM (SINGLE PHASE) .....	54
WIRE DIAGRAM (SINGLE PHASE).....	55
LADDER DIAGRAM (THREE PHASE) .....	56
WIRE DIAGRAM (THREE PHASE).....	57

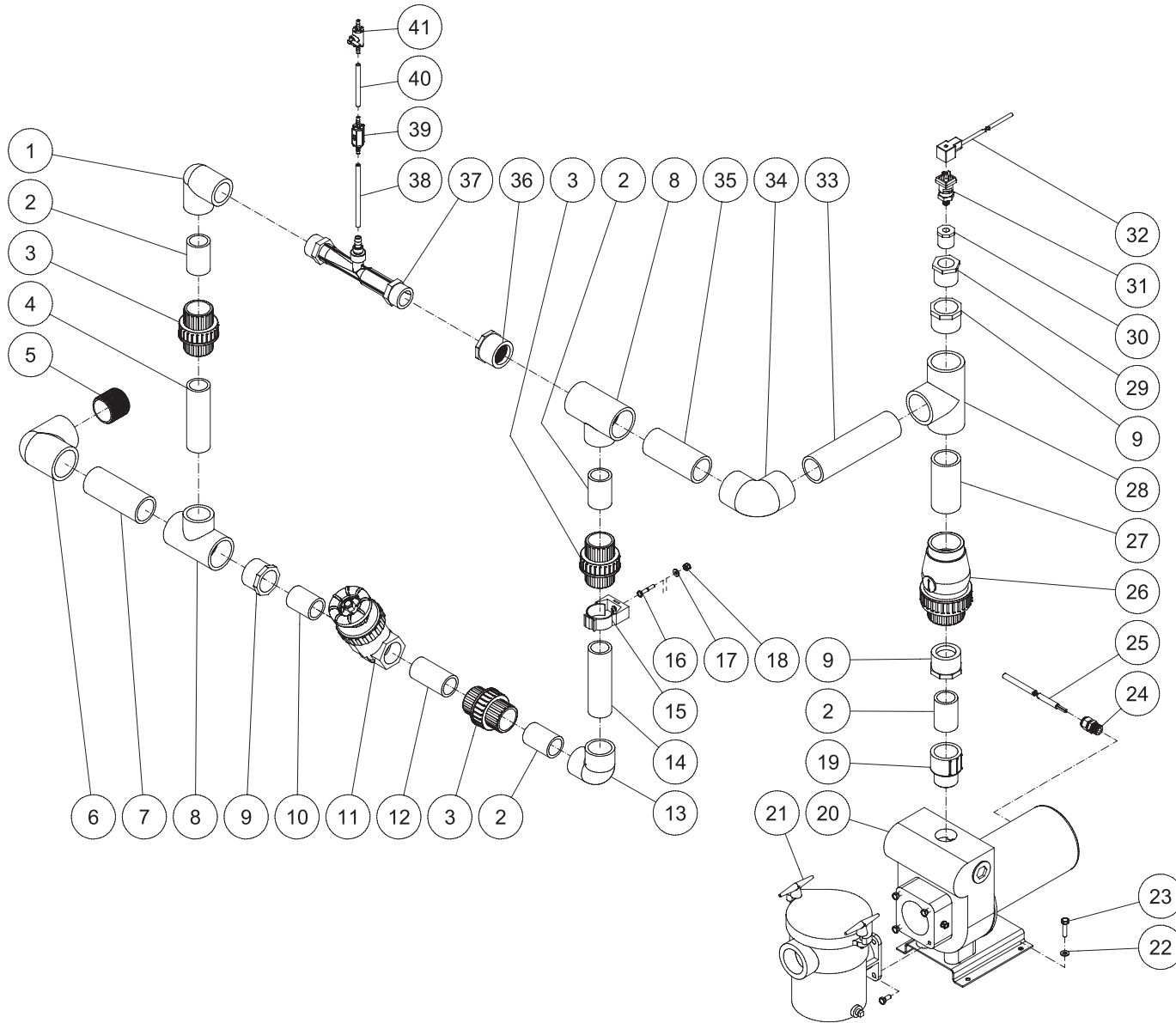
# MAIN ASSEMBLY



WLP-40AB-0M11\_0M31-052710-PJH

WLP-40AB-0M11_0M31 05271 PJH			
MAIN ASSEMBLY			
ITEM	DESCRIPTION	Mi-T-M #	QTY
1	INLET PUMP ASSEMBLY	N/A SEP	1
2	TANK DRAIN ASSEMBLY	N/A SEP	1
3	PRODUCT TANK OVERFLOW	N/A SEP	1
4	PRODUCT TANK ASSEMBLY	N/A SEP	1
5	PRODUCT TANK INLET ASSEMBLY	N/A SEP	1
6	POLISHING FILTER ASSEMBLY	N/A SEP	1
7	TRANSFER PUMP ASSEMBLY	N/A SEP	1
8	PH & ORP SENSOR PLUMBING	N/A SEP	1
9	FILTER PUMP ASSEMBLY	N/A SEP	1
10	CONTROL PANEL ASSEMBLY	N/A SEP	1
11	TANK ASSEMBLY	N/A SEP	1
12	MEDIA FILTER ASSEMBLY	N/A SEP	1
13	PRESSURE TANK ASSEMBLY	N/A SEP	1
14	AIR CONTROL SYSTEM	N/A SEP	1
15	FILTER DRAIN ASSEMBLY	N/A SEP	1
16	MANIFOLD ASSEMBLY	N/A SEP	1
17	OIL DECANTER ASSEMBLY	N/A SEP	1
18	PALLET	35-0057	1
19	MEDIA FILTER TO POLISHING FILTER PLUMBING	N/A SEP	1

# PLUMBING: INLET PUMP ASSEMBLY

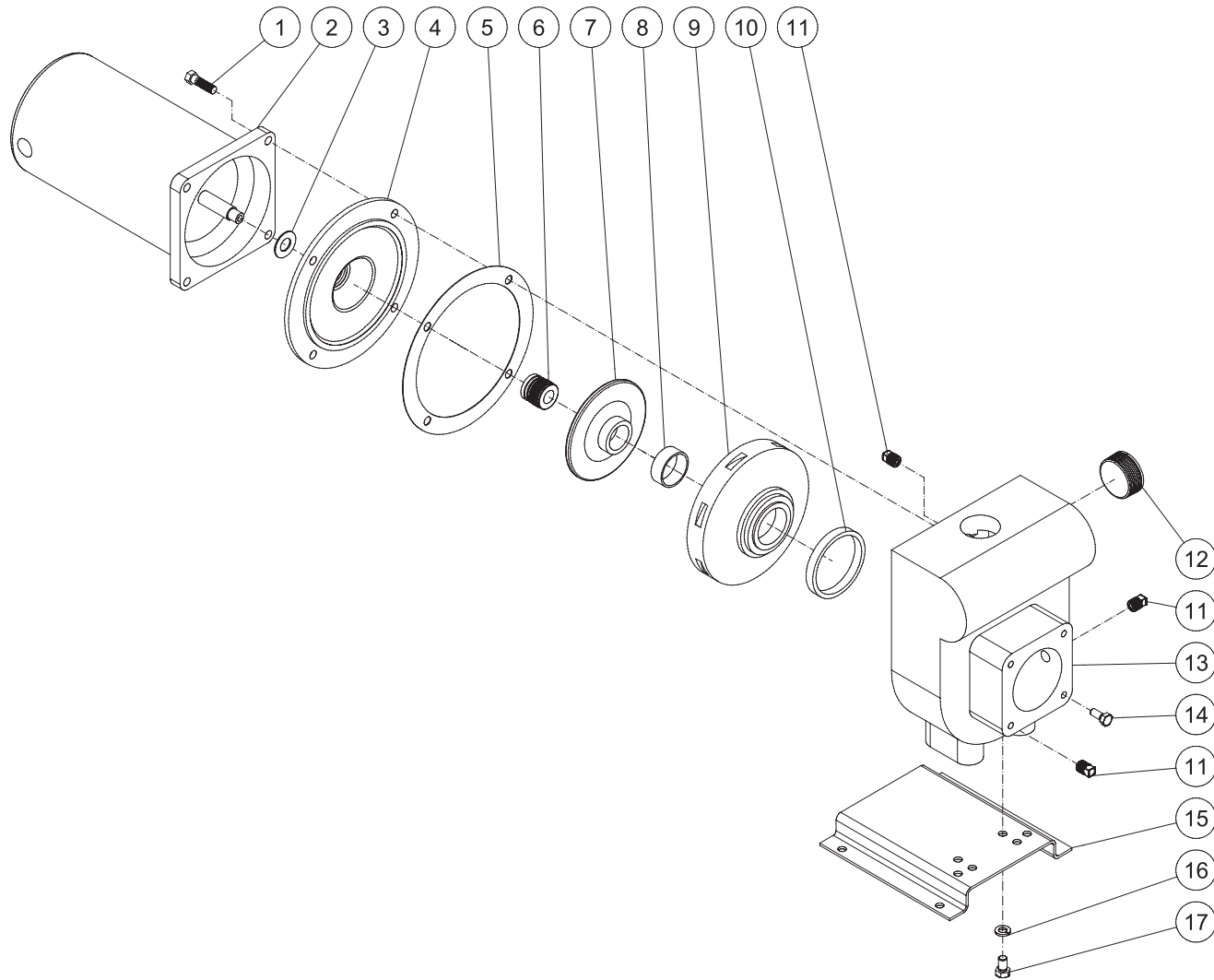


INLET PUMP ASSY-042007-P-JH

## INLET PUMP ASSEMBLY

ITEM	DESCRIPTION	Mi-T-M #	QTY	ITEM	DESCRIPTION	Mi-T-M #	QTY
1	ELBOW	55-1610	1	22	WASHER	28-0122	4
2	PIPE *(1 1/2" X 2 3/4") *(ONE FOOT REQUIRED)	55-1600	4	23	BOLT	27-5276	4
3	UNION	55-1645	3	24	STRAIN RELIEF	32-0437	1
4	PIPE *(1 1/2" X 6") *(ONE FOOT REQUIRED)	55-1600	1	25	CORD (1 PHASE) *(SIXTEEN FEET REQUIRED)	32-0074	1
5	NIPPLE	55-1874	1	-	CORD (3 PHASE) *(SIXTEEN FEET REQUIRED)	32-0247	1
6	ELBOW	55-1810	1	26	CHECK VALVE	55-1852	1
7	PIPE *(2" X 5 7/8") *(ONE FOOT REQUIRED)	55-1800	1	27	PIPE *(2" X 4 5/8") *(ONE FOOT REQUIRED)	55-1800	1
8	TEE	55-1802	2	28	TEE	55-1801	1
9	REDUCER BUSHING	55-1823	3	29	REDUCER	55-1624	1
10	PIPE *(1 1/2" X 2 1/2") *(ONE FOOT REQUIRED)	55-1600	1	30	REDUCER	55-1231	1
11	GATE VALVE	55-1671	1	31	PRESSURE SWITCH	22-0381	1
12	PIPE *(1 1/2" X 3 5/8") *(ONE FOOT REQUIRED)	55-1600	1	32	CORDSET	32-0786	1
13	ELBOW	55-1609	1	33	PIPE *(2" X 8 7/8") *(ONE FOOT REQUIRED)	55-1800	1
14	PIPE *(1 1/2" X 6 1/4") *(ONE FOOT REQUIRED)	55-1600	1	34	ELBOW	55-1809	1
15	CLAMP	42-0026	1	35	PIPE *(2" X 5 1/2") *(ONE FOOT REQUIRED)	55-1800	1
16	BOLT	27-5031	1	36	REDUCER	55-1828	1
17	WASHER	28-0121	1	37	MAZZEI	55-0033	1
18	LOCKNUT	30-5155	1	38	HOSE *(ONE FOOT REQUIRED) *(ONE FOOT REQUIRED)	15-0226	1
19	ADAPTER	55-1622	1	39	CHECK VALVE	22-0286	1
20	PUMP (1 PHASE)	3-0328	1	40	HOSE *(THREE FEET REQUIRED) *(THREE FEET REQUIRED)	15-0226	1
-	PUMP (3 PHASE)	3-0317	1	41	VALVE	22-0074	1
21	TRAP & BASKET	33-0491	1	*MUST ORDER IN ONE FOOT LENGTHS			

# SUMP PUMP (3-0328 SINGLE PHASE) (3-0317 THREE PHASE)



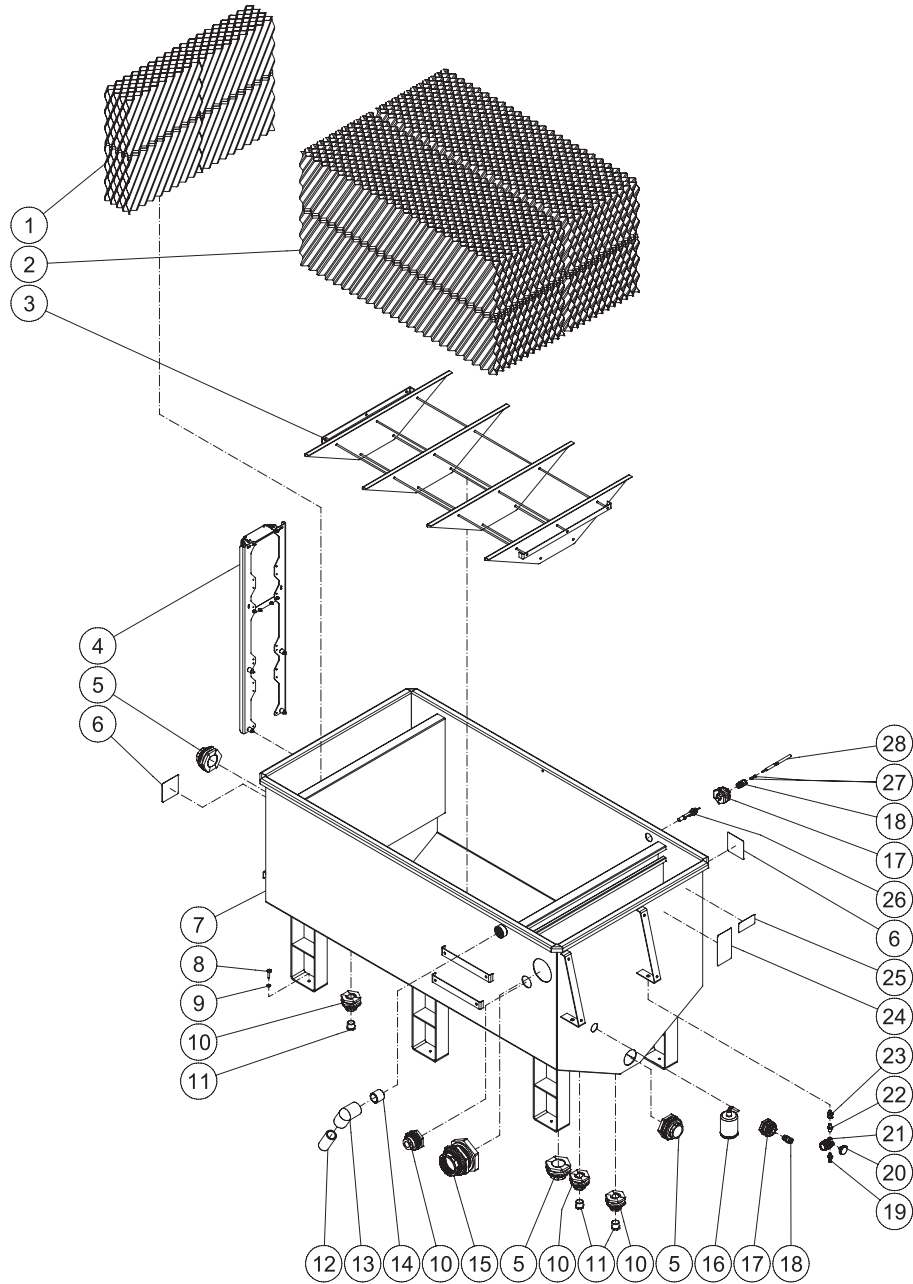
3-0328 081109 PJH



3-0328\_3-0317 071410-PJH

SUMP PUMP			
ITEM	DESCRIPTION	Mi-T-M #	QTY
1	BOLT	27-0118	4
2	PUMP/FILTER	N/A	1
3	WATER SLINGER	46-1386	1
4	SEAL PLATE	N/A	1
5	GASKET	26-0353	1
6	SHAFT SEAL	26-0354	1
7	IMPELLER	N/A	1
8	WEAR RING	46-1387	1
9	DIFFUSER	N/A	1
10	DIFFUSER RING	46-1388	1
11	PLUG	24-0009	3
12	PLUG	24-0309	1
13	PUMP BODY	N/A	1
14	BOLT	27-0066	4
15	BASE	N/A	1
16	LOCKWASHER	29-0008	2
17	BOLT	N/A	2
-	COMPLETE PUMP (SINGLE PHASE)	3-0328	
-	COMPLETE PUMP (THREE PHASE)	3-0317	

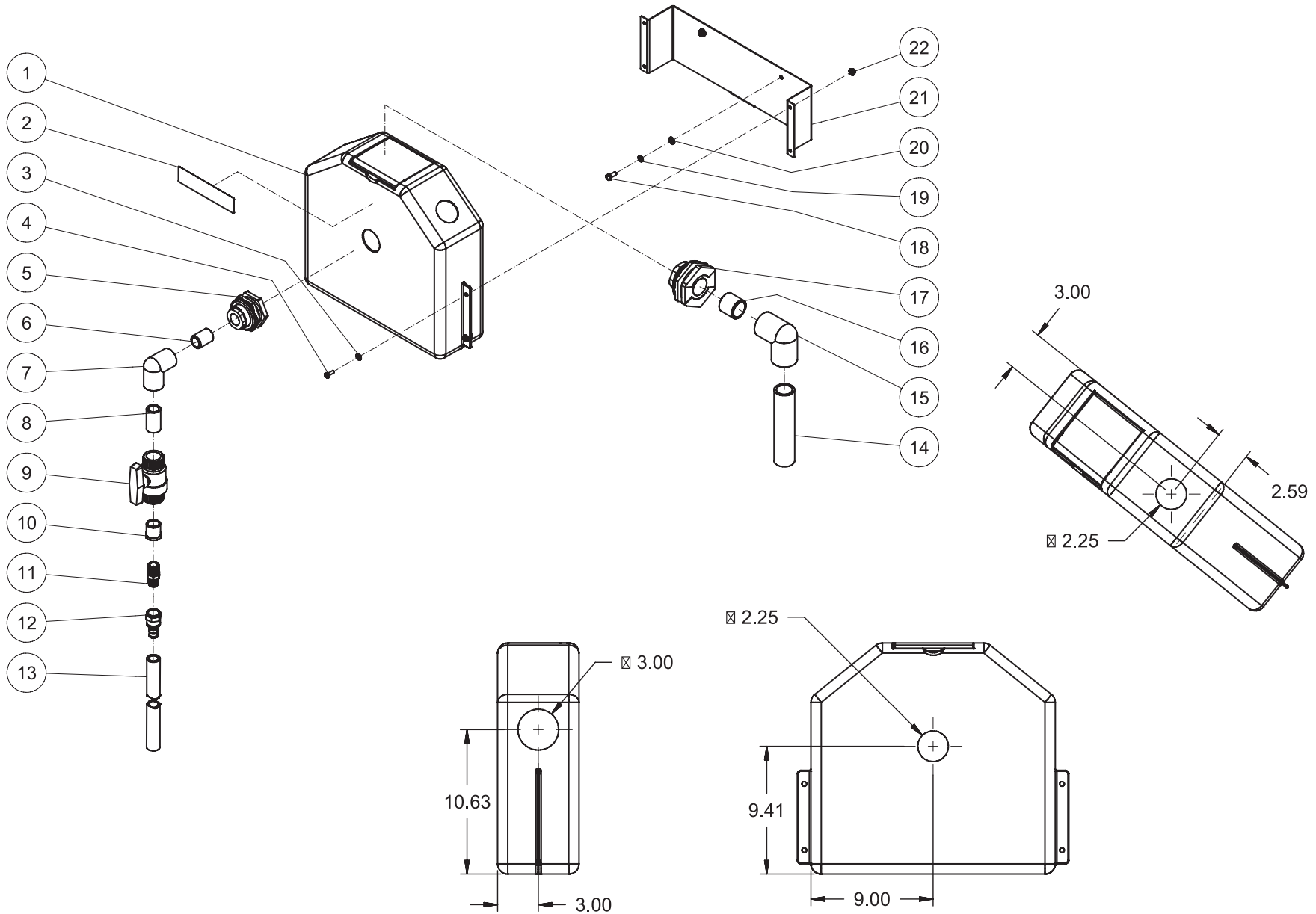
# TANK ASSEMBLY



TANK ASSY-051910-P-JH

TANK ASSEMBLY WLP-40AB-0M11_0M31 051910 PJH			
TANK ASSEMBLY			
ITEM	DESCRIPTION	Mi-T-M #	QTY
1	COALESCING MEDIA	33-0373	4
2	COALESCING MEDIA	33-0308	2
3	BAFFLE PACK	21-0119	1
4	OZONE GENERATOR ASSEMBLY	N/A	1
5	BULKHEAD (INC. 25-0481 GASKET)	55-1886	3
6	DECAL - NONPOTABLE WATER (SEE 34-9010)	N/A	2
7	TANK	12-9082	1
8	BOLT	27-5276	6
9	WASHER	28-0122	6
10	BULKHEAD (INC. 25-042 GASKET)	55-1286	4
11	PLUG	55-1240	3
12	PIPE *(1 1/2" X 3 7/8") *(ONE FOOT REQUIRED)	55-1600	1
13	ELBOW	55-1610	1
14	NIPPLE	55-1674	1
15	BULKHEAD FITTING	55-2286	1
16	FLOAT N.O. 10' CORD	32-0527	1
17	BULKHEAD (INC. 25-0506 GASKET)	55-0886	2
18	STRAIN RELIEF	32-0437	2
19	QUICK CONNECT	17-0049	1
20	PRESSURE GAUGE	22-0257	1
21	REGULATOR	22-0326	1
22	NIPPLE	24-0145	1
23	BULKHEAD	55-0092	1
24	DECAL - RISK OF ELECTROCUTION (SEE 34-9010)	N/A	1
25	DECAL- SILVER STICKER	N/A	1
26	SWITCH	32-0533	1
27	CONNECTOR - BUTT	32-0122	2
28	CORD *(TEN FEET REQUIRED)	32-0075	1
*(MUST ORDER IN ONE FOOT LENGTHS)			

# OIL DECANTER ASSEMBLY

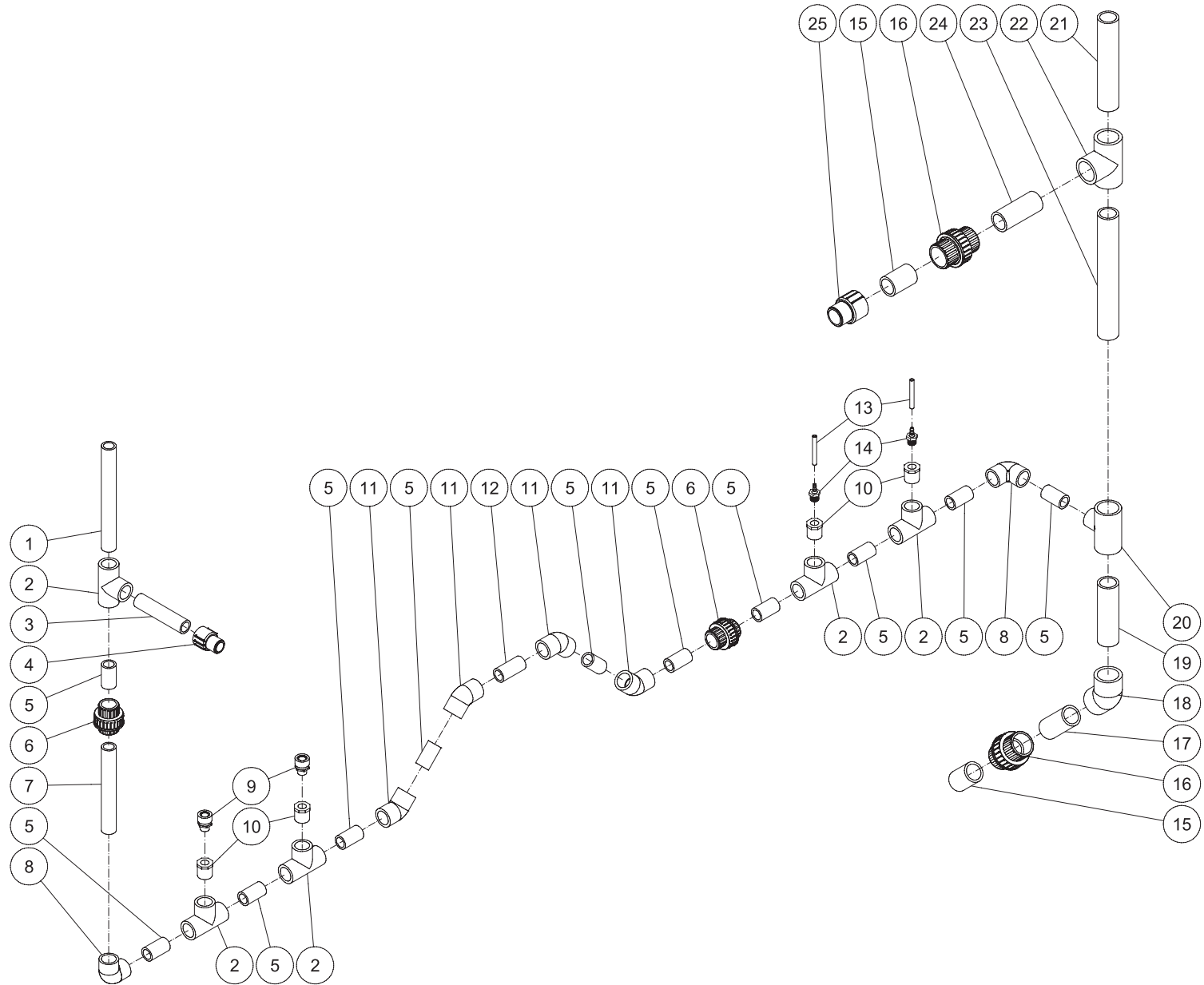


OIL DECANTER ASSY-WLP-40AB-0M11\_0M31 052510-PJH

OIL DECANTER WLP-40AB-0M11_0M31 052510 PJH			
OIL DECANTER ASSEMBLY			
ITEM	DESCRIPTION	PART #	QTY
1	TANK	12-0124	1
2	DECAL - OIL DECANTER	N/A	1
3	WASHER	28-0121	4
4	BOLT	27-5016	4
5	BULKHEAD (INC. 25-042 GASKET)	55-1286	1
6	NIPPLE	55-1274	1
7	ELBOW	55-1210	1
8	PIPE *(1" X 2 1/4") *(ONE FOOT REQUIRED)	55-1200	1
9	BALL VALVE	55-1255	1
10	REDUCER	55-1228	1
11	NIPPLE	23-0362	1
12	HOSE BARB	23-0358	1
13	HOSE *(SEVEN FEET REQUIRED)	15-0033	1
14	PIPE *(1 1/2" X 8") *(ONE FOOT REQUIRED)	55-1600	1
15	ELBOW	55-1610	1
16	NIPPLE	55-1674	1
17	BULKHEAD (INC. 25-0481 GASKET)	55-1686	1
18	BOLT	27-5066	2
19	LOCKWASHER	29-0007	2
20	WASHER	28-0122	2
21	MOUNTING BRACKET	21-0172	1
22	NUT	30-5202	4

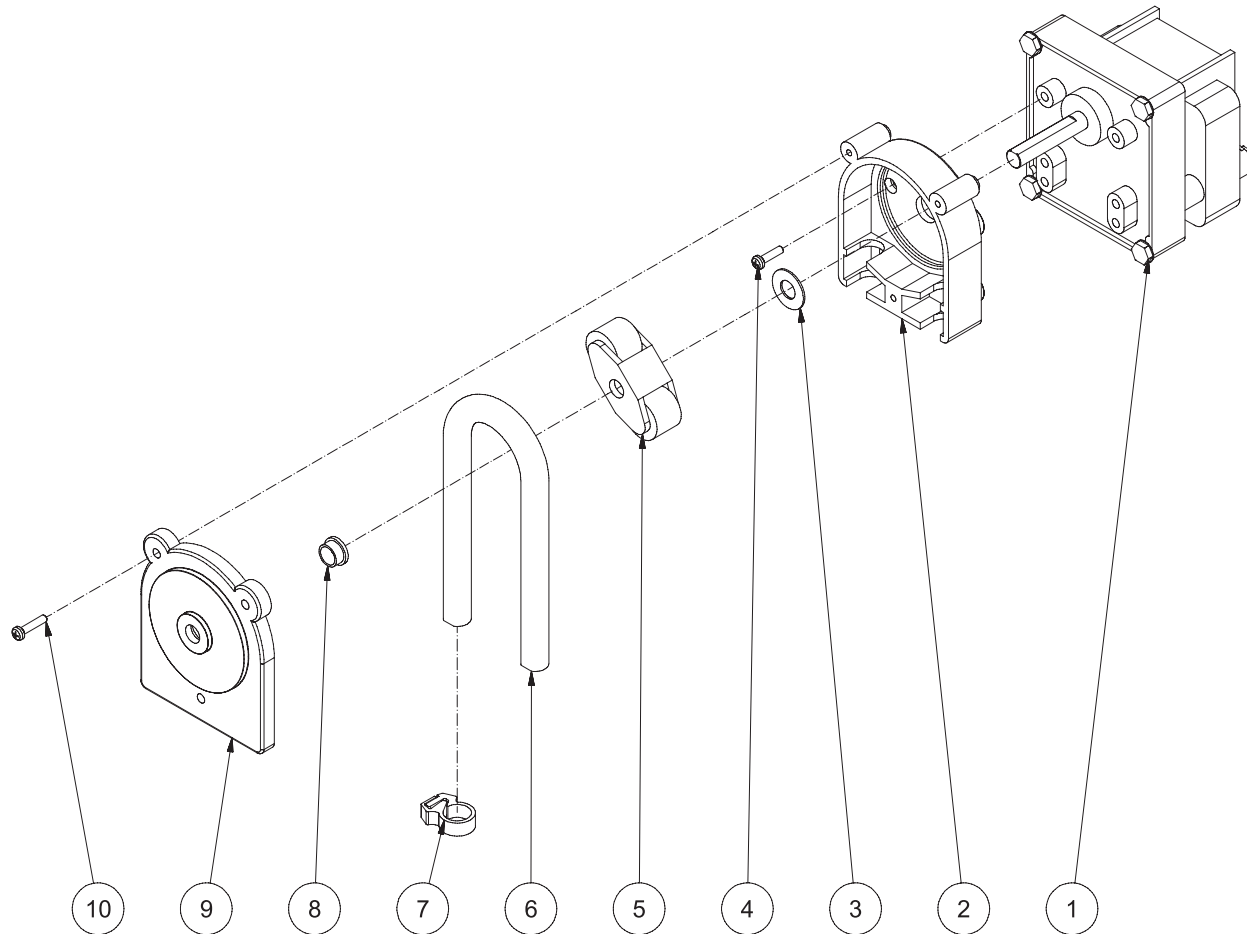
# PLUMBING: PH & ORP SENSOR

PH & ORP SENOR PLUMBING-WLP-40AB-0M11\_0M31 052610 P.JH



PH & ORP SENSOR PLUMBING WLP-40AB-0M11_0M31 052610 PJH			
PH & ORP SENSOR PLUMBING			
ITEM	DESCRIPTION	Mi-T-M #	QTY
1	PIPE *(1" X 11") *(ONE FOOT REQUIRED)	55-1200	1
2	TEE	55-1201	5
3	PIPE *(1" X 5 3/4") *(ONE FOOT REQUIRED)	55-1200	1
4	ADAPTER	55-1222	1
5	PIPE *(1" X 2 1/4") *(ONE FOOT REQUIRED)	55-1200	11
6	UNION	55-1245	2
7	PIPE *(1" X 9") *(ONE FOOT REQUIRED)	55-1200	1
8	ELBOW	55-1209	2
9	STRAIN RELIEF	32-0550	2
10	REDUCER	55-1229	4
11	ELBOW	55-1212	4
12	PIPE *(1" X 2 3/4") *(ONE FOOT REQUIRED)	55-1200	1
13	HOSE *(TEN FEET REQUIRED)	15-0021	2
14	HOSE BARB	55-0023	2
15	PIPE *(1 1/2" X 2 3/4") *(ONE FOOT REQUIRED)	55-1600	2
16	UNION	55-1645	2
17	PIPE *(1 1/2" X 4") *(ONE FOOT REQUIRED)	55-1600	1
18	ELBOW	55-1612	1
19	PIPE *(1 1/2" X 6 1/4") *(ONE FOOT REQUIRED)	55-1600	1
20	TEE	55-1603	1
21	PIPE *(1 1/2" X 9 1/2") *(ONE FOOT REQUIRED)	55-1600	1
22	TEE	55-1601	1
23	PIPE *(1 1/2" X 13") *(TWO FEET REQUIRED)	55-1600	1
24	PIPE *(1 1/2" X 4 1/2") *(ONE FOOT REQUIRED)	55-1600	1
25	ADAPTER	55-1622	1
*MUST BE ORDERED IN ONE FOOT LENGTHS			

# PH / ORP PUMP (3-0316)

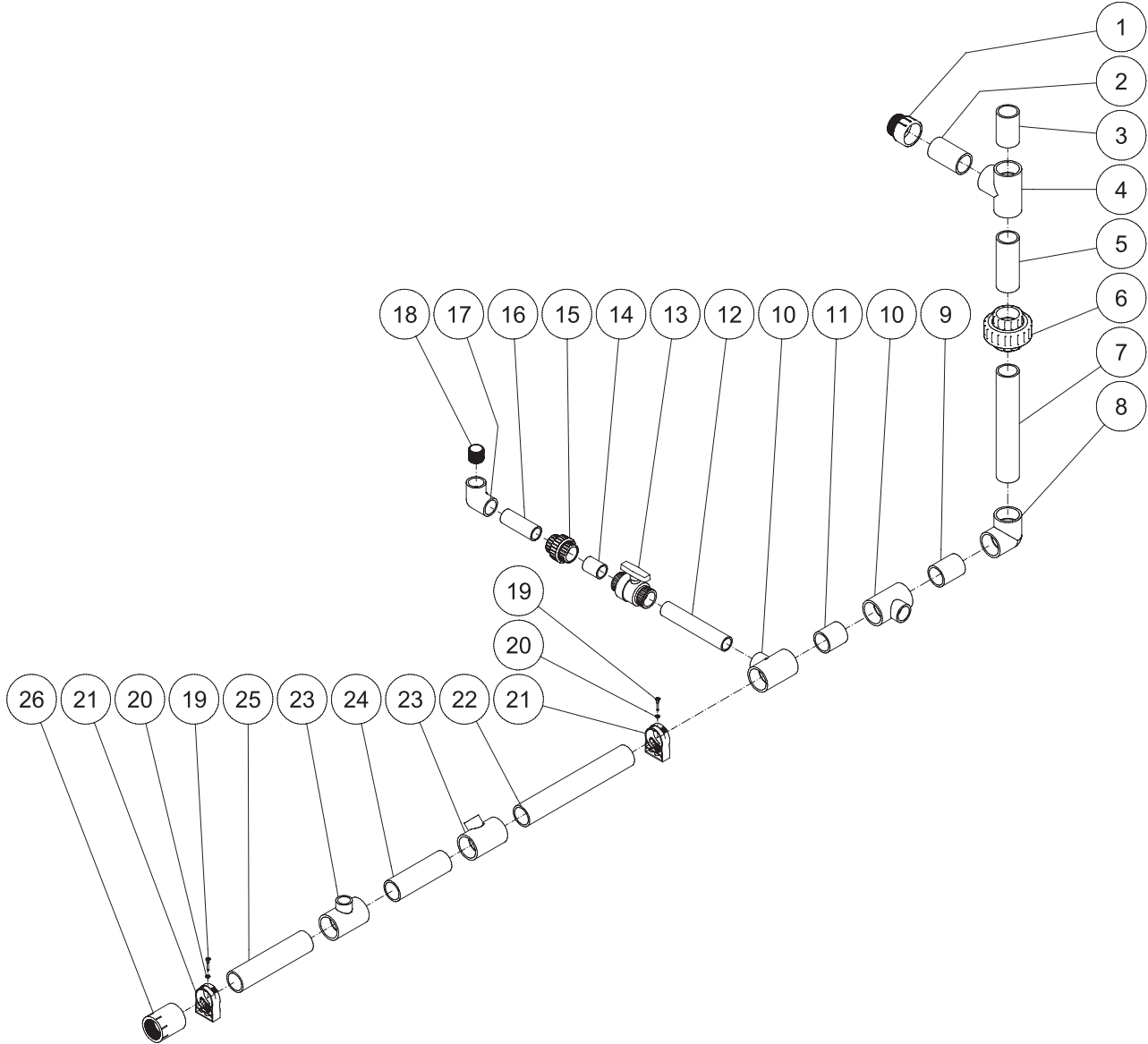


3-0316-030110 PJH



3-0316 030110-PJH			
PUMP (3-0316)			
ITEM	DESCRIPTION	PART #	QTY
1	MOTOR	N/A	1
2	HOUSING (SEE 70-0245)	N/A	1
3	WASHER	N/A	1
4	SCREW	27-2771	4
5	ROLLER BRACKET ASSEMBLY	46-0830	1
6	TUBE	15-0205	1
7	CLAMP	42-0028	1
8	BUSHING	9-0080	1
9	PUMP COVER (SEE 70-0245)	N/A	1
10	SCREW (SEE 70-0245)	N/A	3

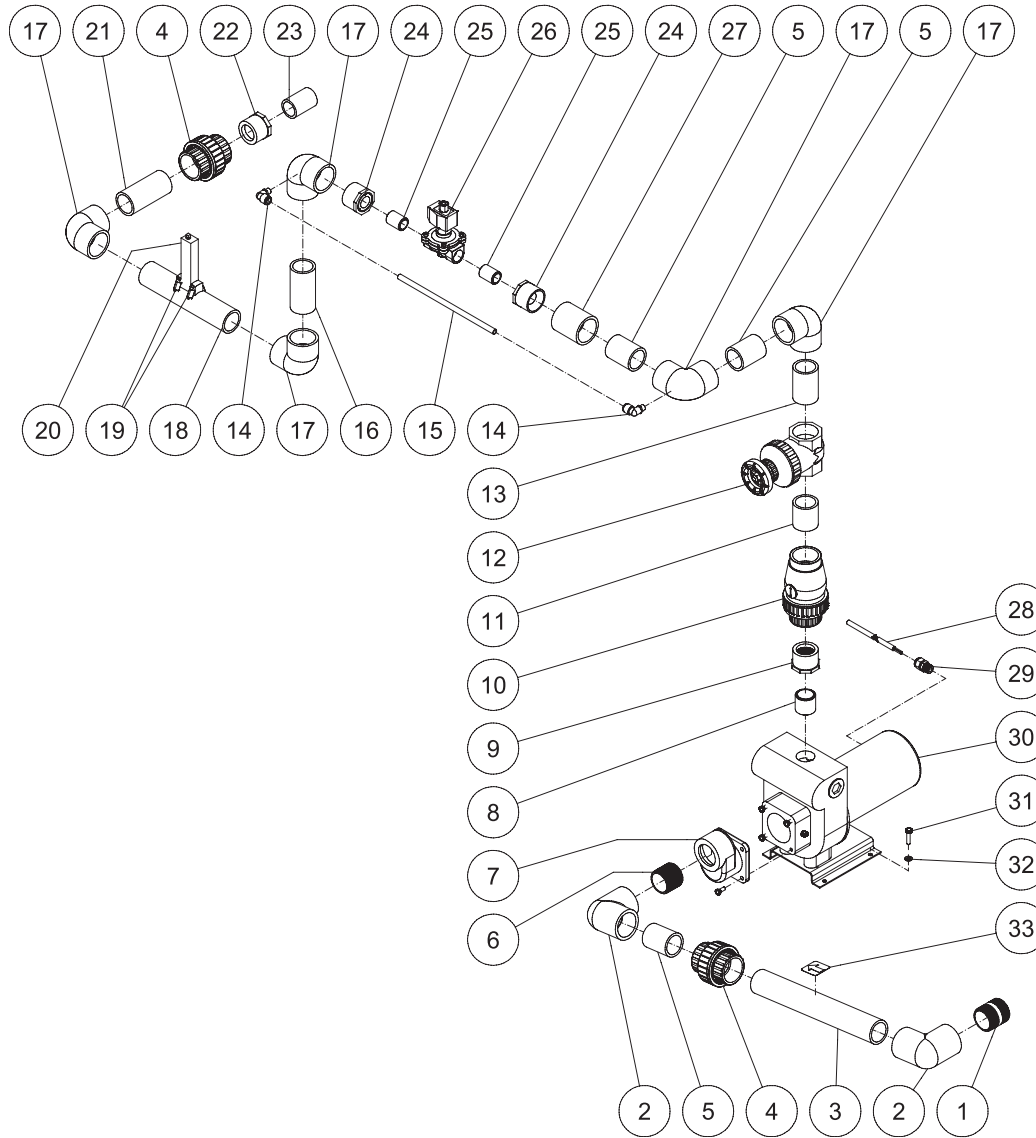
# PLUMBING: TANK DRAIN ASSEMBLY



TANK DRAIN ASSY WLP-40AB-0M11\_0M31-052610-PJH

TANK DRAIN ASSEMBLY WLP-40AB-0M11_0M31 052610 PJH			
TANK DRAIN ASSEMBLY			
ITEM	DESCRIPTION	Mi-T-M #	QTY
1	ADAPTER	55-2222	1
2	PIPE *(3" X 6") *(ONE FOOT REQUIRED)	55-2200	1
3	PIPE *(3" X 5 1/2") *(ONE FOOT REQUIRED)	55-2200	1
4	TEE	55-2201	1
5	PIPE *(3" X 9") *(ONE FOOT REQUIRED)	55-2200	1
6	UNION 3" (INCLUDES 25-0450)	55-2245	1
7	PIPE *(3" X 19 1/2") *(TWO FEET REQUIRED)	55-2200	1
8	ELBOW	55-2209	1
9	PIPE *(3" X 4 1/2") *(ONE FOOT REQUIRED)	55-2200	1
10	TEE	55-2203	2
11	PIPE *(3" X 3 3/4") *(ONE FOOT REQUIRED)	55-2200	1
12	PIPE *(2" X 13") *(TWO FEET REQUIRED)	55-1800	1
13	BALL VALVE	55-1855	1
14	PIPE *(2" X 3") *(ONE FOOT REQUIRED)	55-1800	1
15	UNION	55-1845	1
16	PIPE *(2" X 6.5") *(ONE FOOT REQUIRED)	55-1800	1
17	ELBOW	55-1810	1
18	NIPPLE	55-1874	1
19	LAG	27-5275	2
20	WASHER	28-0122	2
21	CLAMP	42-0045	2
22	PIPE *(3" X 22 3/8") *(TWO FEET REQUIRED)	55-2200	1
23	TEE	55-2204	2
24	PIPE *(3" X 11") *(ONE FOOT REQUIRED)	55-2200	1
25	PIPE *(3" X 15") *(TWO FEET REQUIRED)	55-2200	1
26	ADAPTER	55-2221	1
*MUST ORDER IN ONE FOOT LENGTHS			

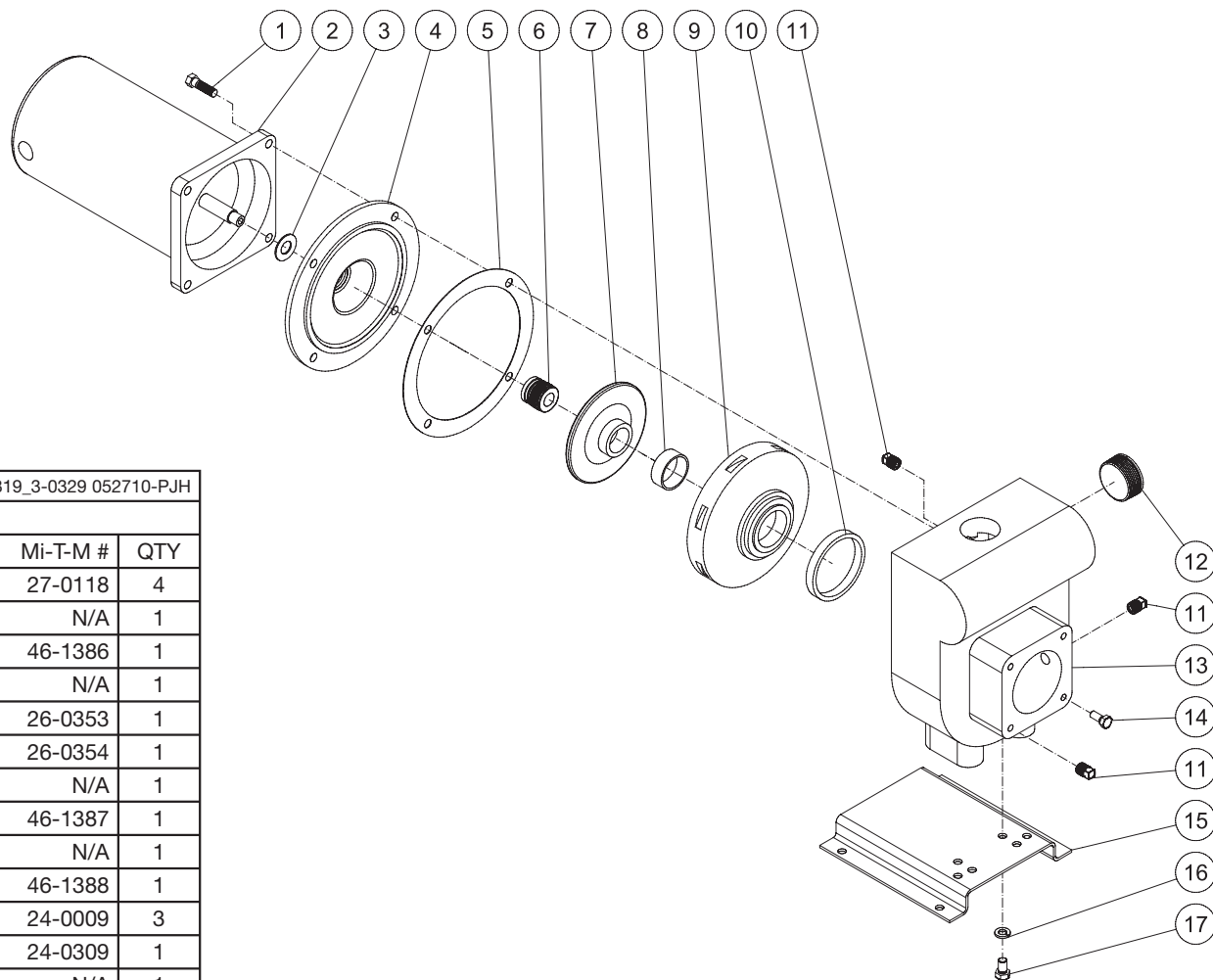
# FILTER PUMP ASSEMBLY



FILTER PUMP ASSY - WLP-40AB-0M11\_0M31 052510-PJH

FILTER PUMP ASSEMBLY WLP-40AB-0M11_0M31 052510 PJH			
FILTER PUMP ASSEMBLY			
ITEM	DESCRIPTION	Mi-T-M #	QTY
1	NIPPLE	55-1877	1
2	ELBOW	55-1810	2
3	PIPE *(2" X 15 3/4") *(TWO FEET REQUIRED)	55-1800	1
4	UNION	55-1845	2
5	PIPE *(2" X 3") *(ONE FOOT REQUIRED)	55-1800	3
6	NIPPLE	55-1874	1
7	FLANGE	33-0495	1
8	NIPPLE	55-1674	1
9	REDUCER	55-1828	1
10	CHECK VALVE	55-1852	1
11	PIPE *(2" X 2 1/2") *(ONE FOOT REQUIRED)	55-1800	1
12	GATE VALVE	55-1871	1
13	PIPE *(2" X 3 1/2") *(ONE FOOT REQUIRED)	55-1800	1
14	ELBOW	55-0108	2
15	TUBING *(TWO FEET REQUIRED)	15-0252	1
16	PIPE *(2" X 4 5/8") *(ONE FOOT REQUIRED)	55-1800	1
17	ELBOW	55-1809	5
18	PIPE *(2" X 11") *(ONE FOOT REQUIRED)	55-1885	1
19	HOSE CLAMP	42-0027	2
20	FLOWMETER	55-0034	1
21	PIPE *(2" X 5") *(ONE FOOT REQUIRED)	55-1800	1
22	REDUCER BUSHING	55-1823	1
23	PIPE *(1 1/2" X 2 3/4") *(ONE FOOT REQUIRED)	55-1600	1
24	REDUCER	55-1830	2
25	NIPPLE	55-1274	2
26	SOLENOID	22-0441	1
27	COUPLER	55-1814	1
28	CORD (1 PHASE) *(TEN FEET REQUIRED)	32-0074	1
-	CORD (3 PHASE) *(TEN FEET REQUIRED)	32-0247	1
29	STRAIN RELIEF	32-0437	1
30	PUMP (1 PHASE)	3-0329	1
-	PUMP (3 PHASE)	3-0319	1
31	BOLT	27-5276	4
32	WASHER	28-0122	4
33	DECAL	34-0883	1

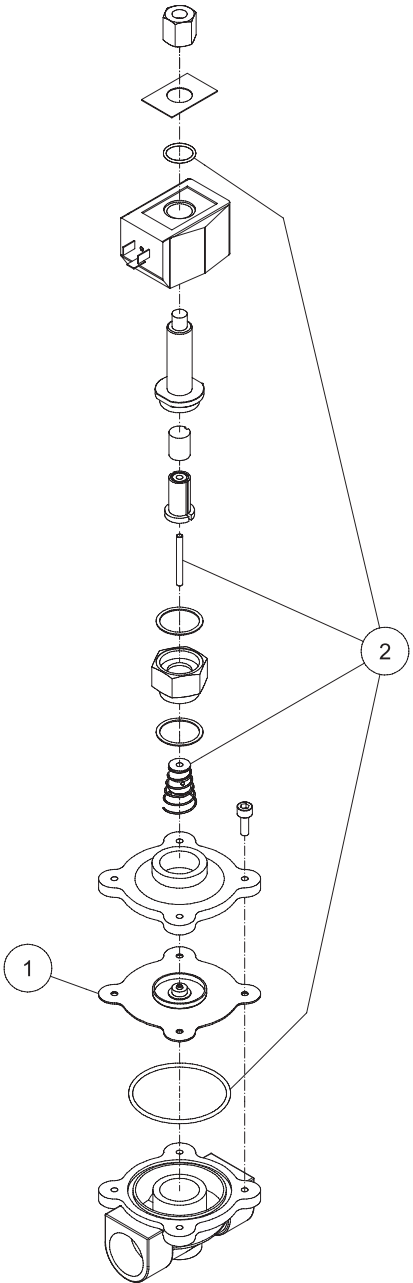
## FILTER PUMP (3-0329 SINGLE PHASE) (3-0319 THREE PHASE)



3-0319_3-0329 052710-PJH			
AERATION PUMP			
ITEM	DESCRIPTION	Mi-T-M #	QTY
1	BOLT	27-0118	4
2	PUMP/FILTER	N/A	1
3	WATER SLINGER	46-1386	1
4	SEAL PLATE	N/A	1
5	GASKET	26-0353	1
6	SHAFT SEAL	26-0354	1
7	IMPELLER	N/A	1
8	WEAR RING	46-1387	1
9	DIFFUSER	N/A	1
10	DIFFUSER RING	46-1388	1
11	PLUG	24-0009	3
12	PLUG	24-0309	1
13	PUMP BODY	N/A	1
14	BOLT	27-0066	4
15	BASE	N/A	1
16	LOCKWASHER	29-0008	2
17	BOLT	N/A	2
	COMPLETE PUMP (SINGLE PHASE)	3-0329	1
	COMPLETE PUMP (THREE PHASE)	3-0319	1

3-0329\_3-0319-081109-PJH

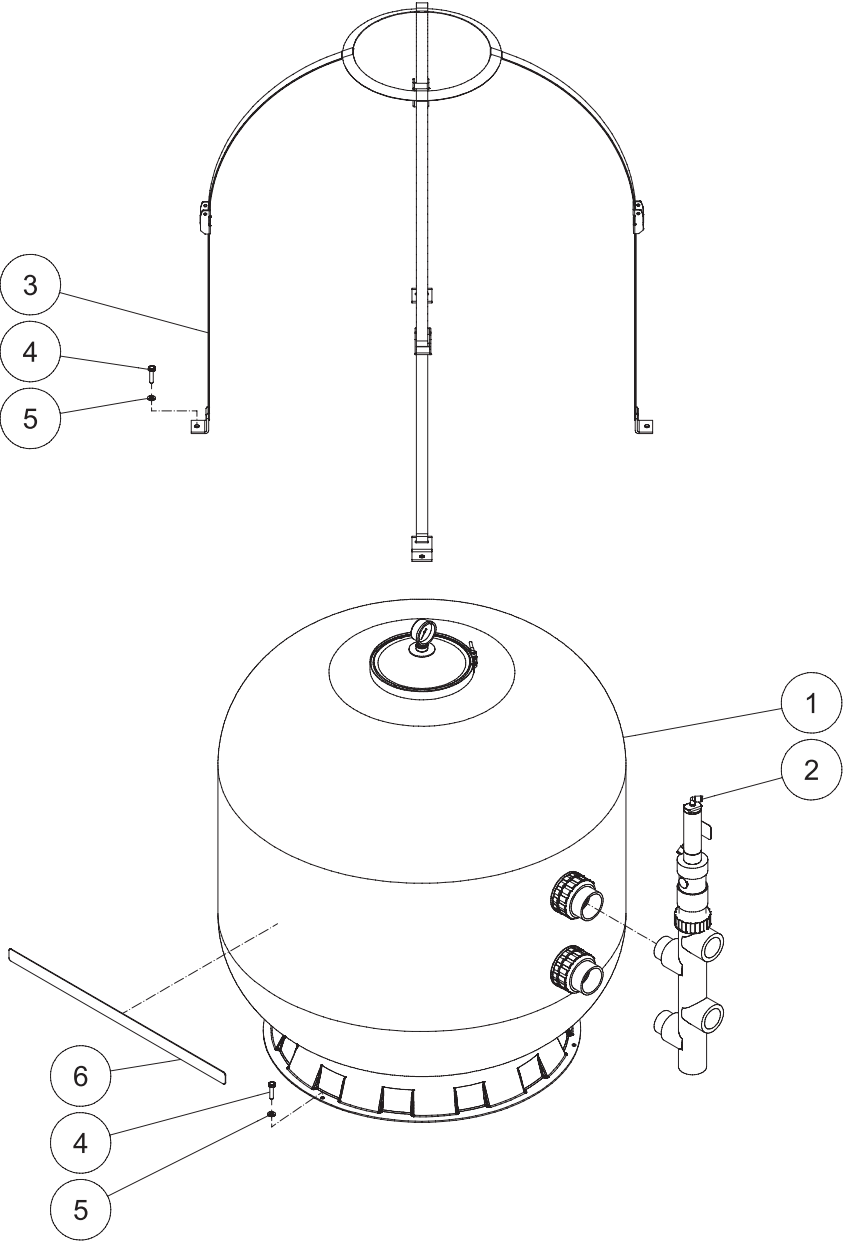
# SOLENOID 1" FNPT (22-0441)



22-0441 041910-PJH			
SOLENOID 1" FNPT			
1	KIT - REPLACEMENT DIAPHRAGM	70-0492	1
2	KIT - REPLACEMENT O-RINGS, SPRING, & PLUNGER	70-0493	1

22-0441 - 041910 - PJH

# MEDIA FILTER ASSEMBLY

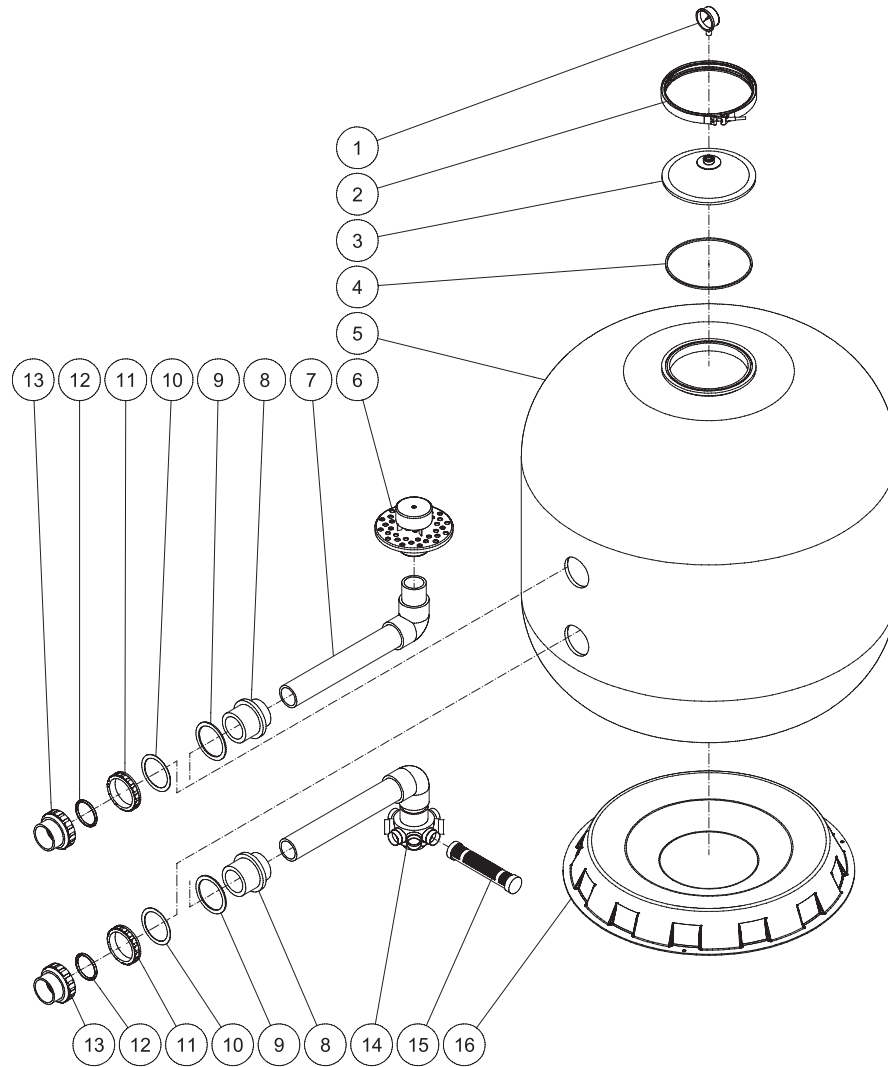


MEDIA FILTER ASSEMBLY WLP-40AB-0M11_0M31 052510-PJH			
MEDIA FILTER ASSEMBLY			
ITEM	DESCRIPTION	Mi-T-M #	QTY
1	BAKER 36" SIDE MT. MEDIA FILTER	19-0562	1
2	VALVE ASSEMBLY - 2.5" STROKE	N/A	1
3	STRAP ASSEMBLY - 44 INCH NECK	33-0315	1
4	LAG BOLT - SS 5/16 X 1-1/2	27-5276	7
5	WASHER - SS STANDARD 5/16	28-0122	7
6	DECAL - MULTI MEDIA FILTER	34-0874	1
-	GRAVEL #3 (3 BAGS)	33-0303	300
-	GARNET #12 (2 BAGS)	33-0304	200
-	GARNET #80 (6 BAGS)	33-0403	300
-	FILTER AG (2 BAGS)	33-0306	100

MEDIA FILTER-052510-PJH



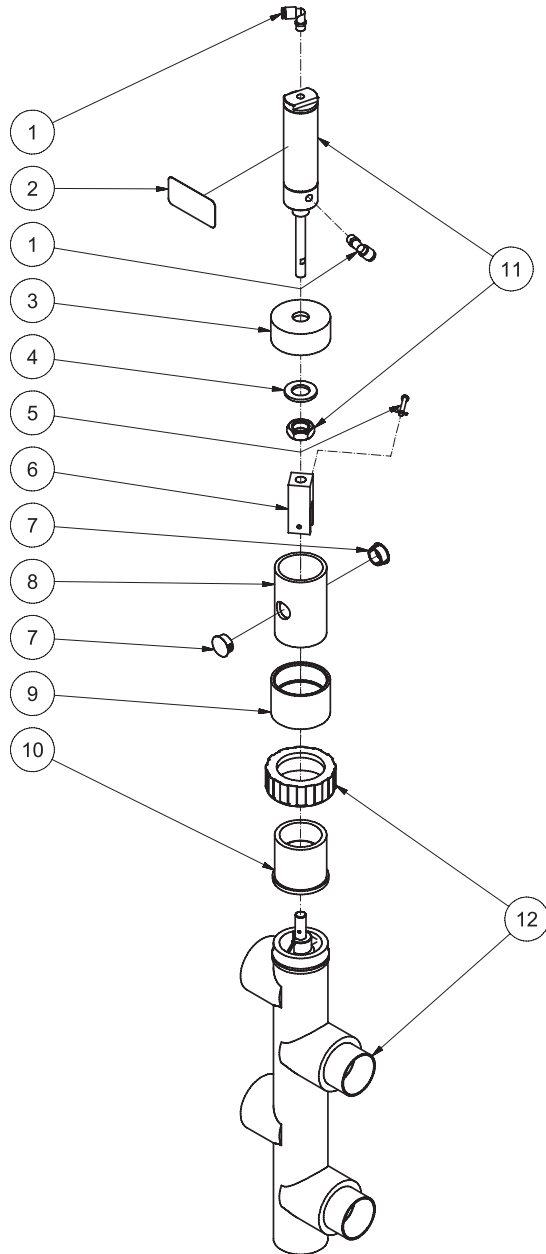
### 36" MEDIA FILTER SIDE MOUNT (19-0562)



19-0562 052410 PJH			
36" MEDIA FILTER			
ITEM	DESCRIPTION	PART #	QTY
1	PRESSURE GAUGE	N/A	1
2	CLAMP	42-0046	1
3	LID	62-0177	1
4	GASKET	26-0285	1
5	TANK	N/A	1
6	HYDRO DOME	62-0178	1
7	DIST. PIPE ASSEMBLY	N/A	1
8	BULKHEAD FITTING	N/A	2
9	BULKHEAD GASKET	N/A	2
10	SPACER	N/A	2
11	BULKHEAD NUT	N/A	2
12	BULKHEAD ADAPTER GASKET	N/A	2
13	HALF UNION	55-0122	2
14	COLLECTOR ASSEMBLY	N/A	1
15	LATERAL	62-0180	8
16	BASE	N/A	1

19-0562-052410-PJH

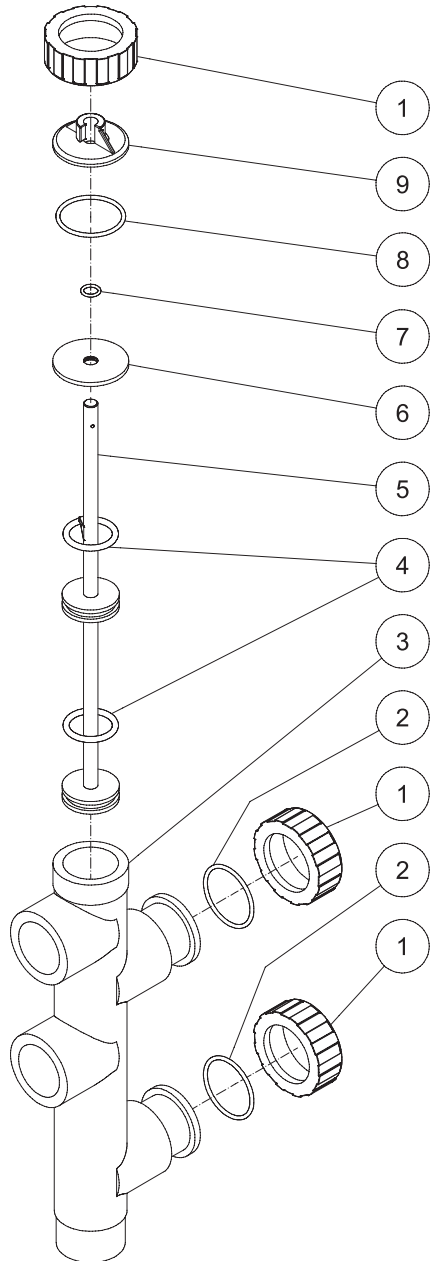
## SLIDE VALVE ASSEMBLY



SLIDE VALVE ASSEMBLY WLP-40AB-0M11_0M31 052810 PJH			
SLIDE VALVE ASSEMBLY			
ITEM	DESCRIPTION	PART #	QTY
1	ELBOW	55-0104	2
2	DECAL - WARNING: MOVING PARTS	34-1634	1
3	CAP	55-1889	1
4	WASHER	28-1048	1
5	CLEVIS PIN	43-0116	1
6	CYLINDER CLEVIS	56-0055	1
7	PLUG	39-0014	2
8	PIPE *(2" X 3 5/8") *(ONE FOOT REQUIRED)	55-1805	1
9	COUPLER	55-1815	1
10	BULKHEAD ADAPTER	55-0103	1
11	AIR CYLINDER	22-0387	1
12	SLIDE VALVE	55-0101	1
* MUST ORDER IN ONE FOOT LENGTHS			

SLIDE VALVE ASSY WLP-40AB-0M11\_0M31-052810-PJH

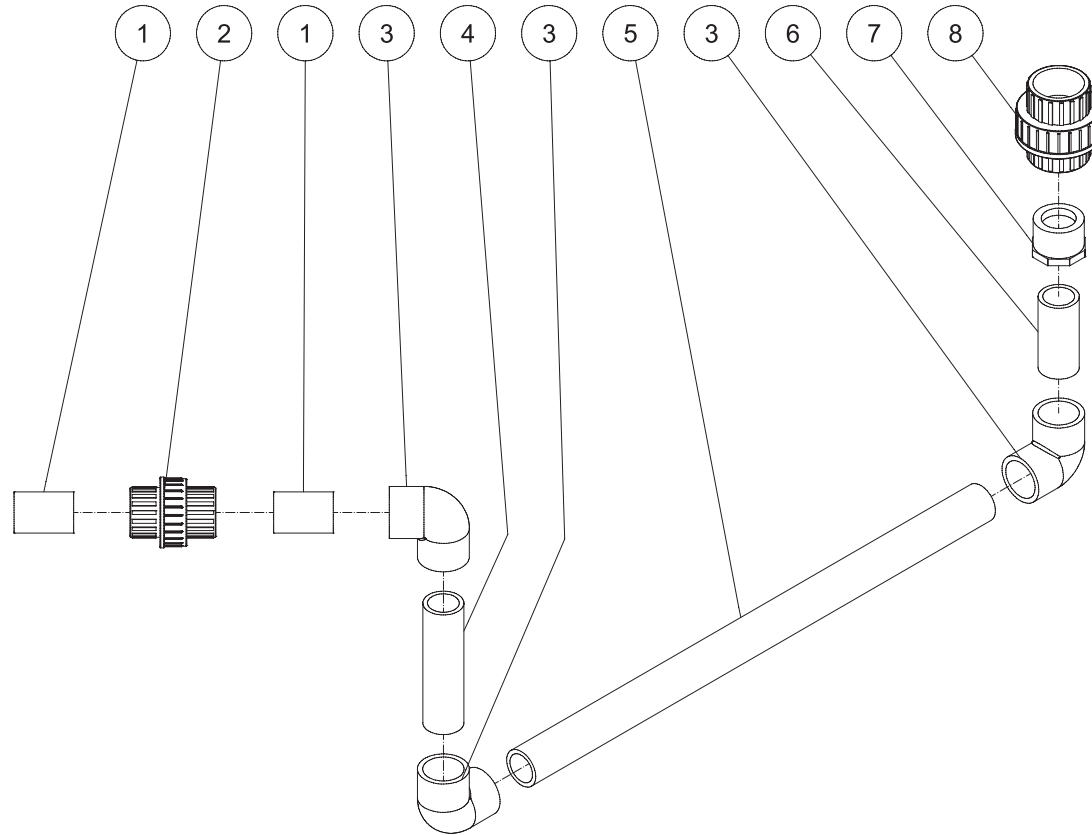
## 2" SLIDE VALVE (55-0101)



55-0101-090707-PH

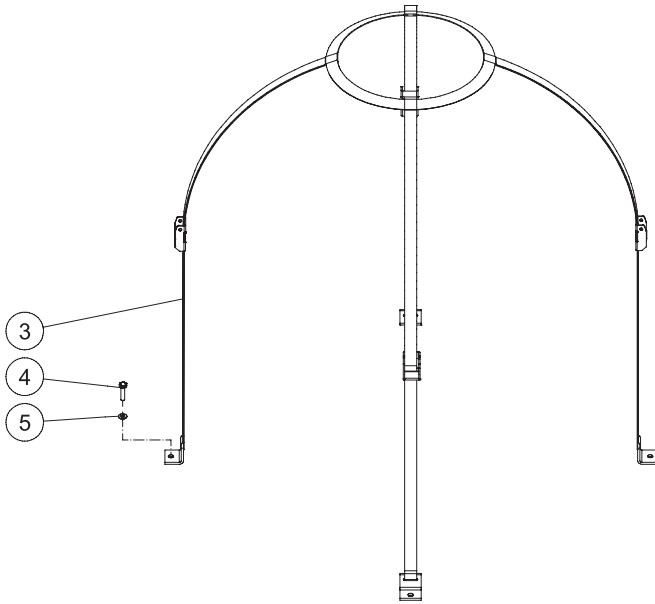
2" SLIDE VALVE (55-0101)			
REF. #	DESCRIPTION	PART#	QTY.
1	Coupler	55-0105	3
2	O-Ring	N/A	2
3	Valve Body	55-0101	1
4	O-Ring	25-0600	2
5	Shaft Valve	N/A	1
6	Washer Valve	N/A	1
7	O-Ring	N/A	1
8	O-Ring	N/A	1
9	Valve Cap	N/A	1

## PLUMBING: MEDIA FILTER TO POLISHING FILTER

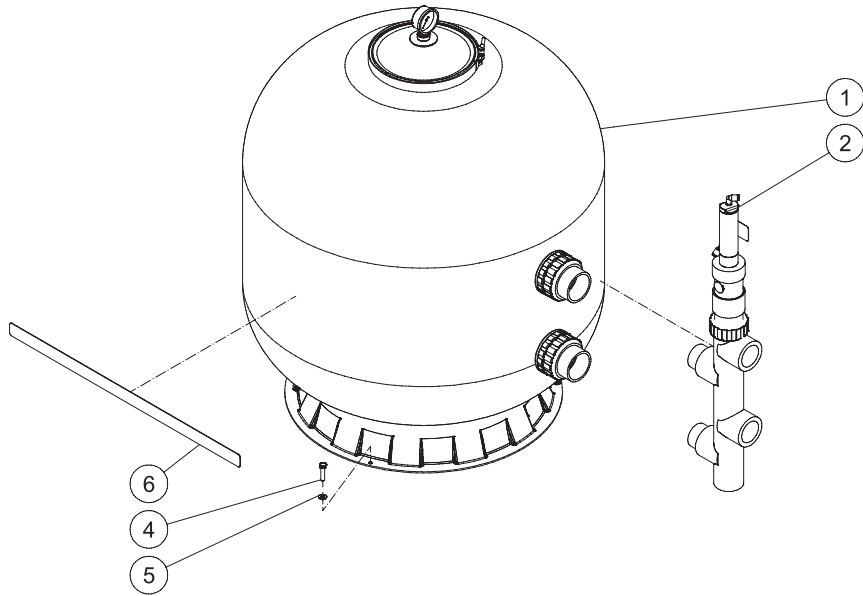


MEDIA FILTER TO POLISHING FILTER WLP-40AB-0M11_0M31 052510			
MEDIA FILTER TO POLISHING FILTER			
ITEM	DESCRIPTION	Mi-T-M #	QTY
1	PIPE *(1 1/2" X 2 3/4") *(ONE FOOT REQUIRED)	55-1600	2
2	UNION	55-1645	1
3	ELBOW	55-1609	3
4	PIPE *(1 1/2" X 6 3/4") *(ONE FOOT REQUIRED)	55-1685	1
5	PIPE *(1 1/2" X 30") *(THREE FEET REQUIRED)	55-1600	1
6	PIPE *(1 1/2" X 4") *(ONE FOOT REQUIRED)	55-1600	1
7	REDUCER BUSHING	55-1823	1
8	UNION	55-1845	1
*MUST ORDER IN ONE FOOT LENGTHS			

## POLISHING FILTER ASSEMBLY

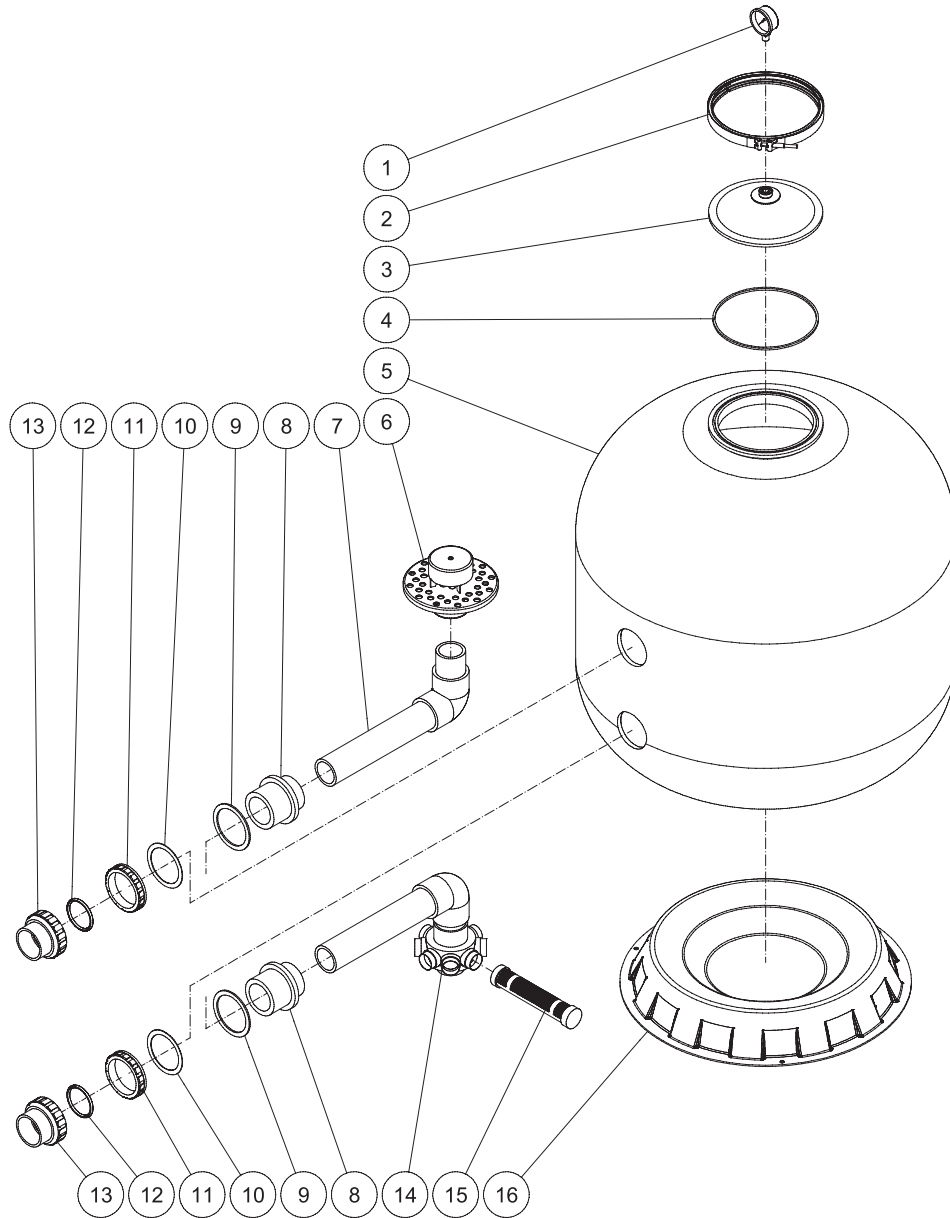


POLISHING FILTER ASSEMBLY WLP-40AB-0M11_0M31 052610 PJH			
POLISHING FILTER ASSEMBLY			
ITEM	DESCRIPTION	Mi-T-M #	QTY
1	MEDIA FILTER	19-0561	1
2	VALVE ASSEMBLY	N/A	1
3	STRAP	33-0315	1
4	BOLT	27-5276	7
5	WASHER	28-0122	7
6	DECAL - POLISHING FILTER	N/A	1
-	ACTIVATED CARBON (3 BAGS)	33-0302	165



POLISHING FILTER WLP-40AB-0M11\_0M31-052610-PJH

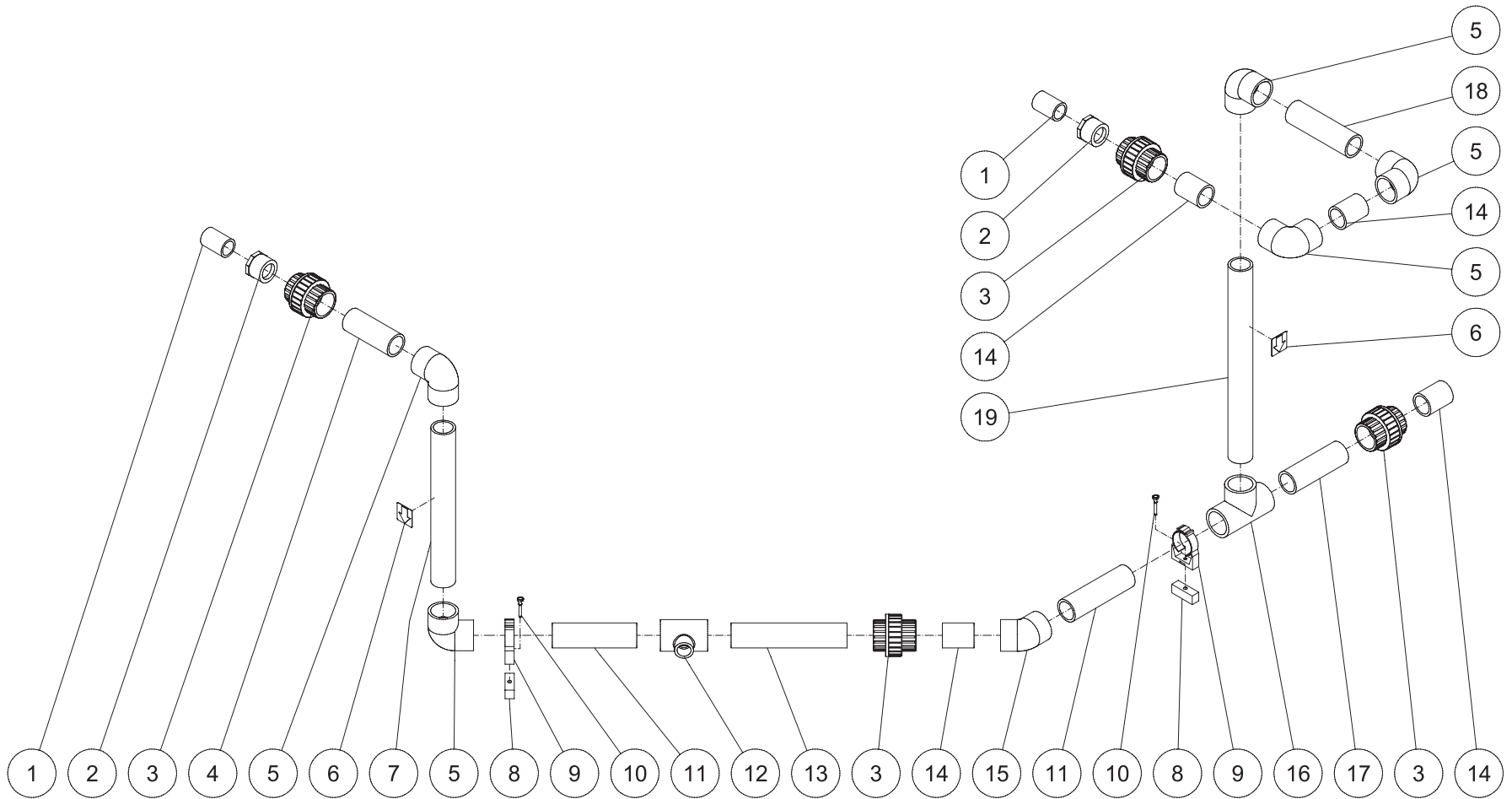
### 30" MEDIA FILTER SIDE MOUNT (19-0561)



19-0561 052410 PJH			
30" MEDIA FILTER			
ITEM	DESCRIPTION	PART #	QTY
1	PRESSURE GAUGE	N/A	1
2	CLAMP	42-0046	1
3	LID	62-0177	1
4	GASKET	26-0285	1
5	TANK	N/A	1
6	HYDRO DOME	62-0178	1
7	DIST. PIPE ASSEMBLY	N/A	1
8	BULKHEAD FITTING	N/A	2
9	BULKHEAD GASKET	N/A	2
10	SPACER	N/A	2
11	BULKHEAD NUT	N/A	2
12	BULKHEAD ADAPTER GASKET	N/A	2
13	HALF UNION	55-0122	2
14	COLLECTOR ASSEMBLY	N/A	1
15	LATERAL	62-0180	8
16	BASE	N/A	1

19-0561-052410-PJH

# PLUMBING: FILTER DRAIN ASSEMBLY



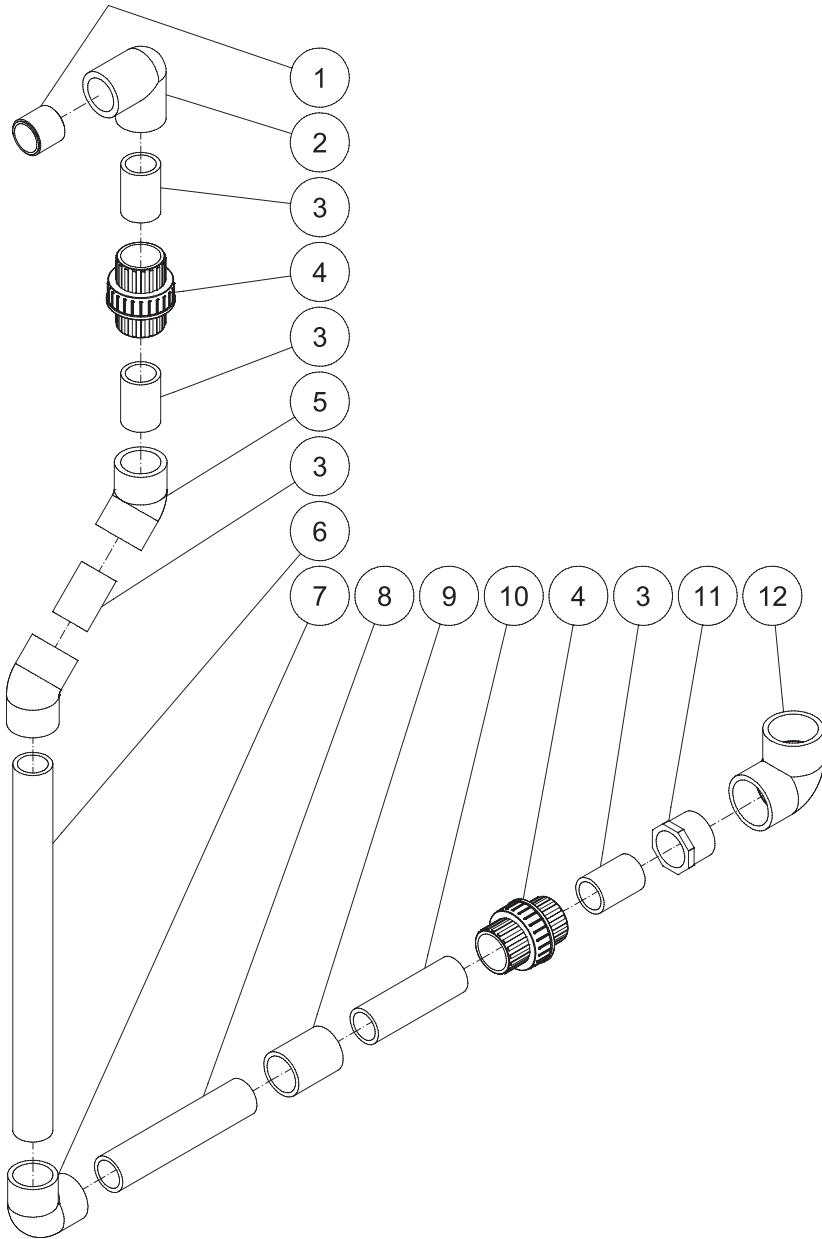
FILTER DRAIN ASSY-WLP-40AB-0M11\_0M31 052510-PJH



FILTER DRAIN ASSEMBLY WLP 40AB-0M11_0M31 052510-PJH			
FILTER DRAIN ASSEMBLY			
ITEM	DESCRIPTION	Mi-T-M #	QTY
1	PIPE *(1 1/2" X 2 3/4") *(ONE FOOT REQUIRED)	55-1600	2
2	REDUCER BUSHING	55-1823	2
3	UNION	55-1845	4
4	PIPE *(2" X 6") *(ONE FOOT REQUIRED)	55-1885	1
5	ELBOW	55-1809	5
6	DECAL - BACKWASH ARROW	34-0882	2
7	PIPE *(2" X 17 3/4") *(TWO FEET REQUIRED)	55-1800	1
8	SHIM	N/A	2
9	PIPE CLAMP	42-0040	2
10	LAG	27-5275	2
11	PIPE *(2" X 8") *(ONE FOOT REQUIRED)	55-1800	2
12	TEE	55-1804	1
13	PIPE *(2" X 11") *(ONE FOOT REQUIRED)	55-1800	1
14	PIPE *(2" X 3") *(ONE FOOT REQUIRED)	55-1800	4
15	ELBOW	55-1812	1
16	TEE	55-1801	1
17	PIPE *(2" X 7") *(ONE FOOT REQUIRED)	55-1800	1
18	PIPE *(2" X 8") *(ONE FOOT REQUIRED)	55-1885	1
19	PIPE *(2" X 22 1/4") *(TWO FEET REQUIRED)	55-1800	1

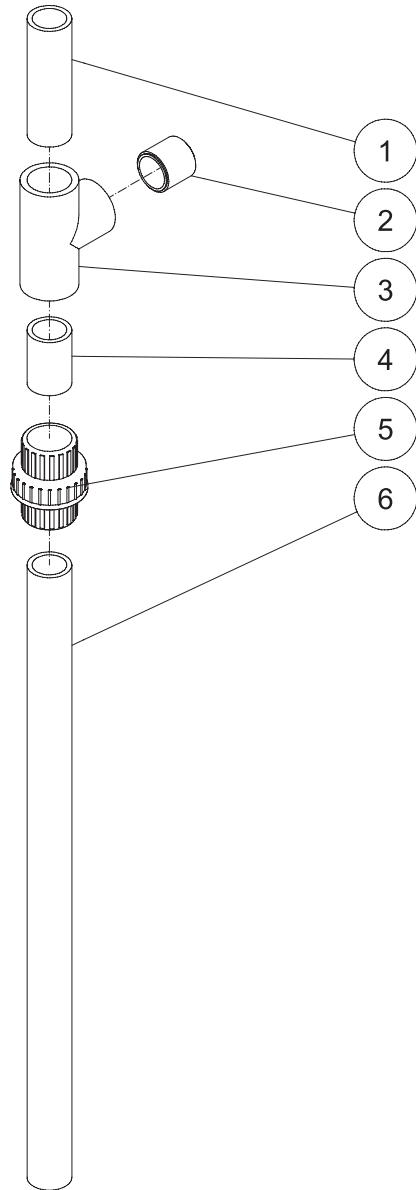
## PLUMBING: PRODUCT TANK INLET ASSEMBLY

PRODUCT TANK INLET ASSY WLP-40AB-0M11\_0M31 052610 PJH



PRODUCT TANK INLET ASSEMBLY WLP-40AB-0M11_0M31 052610 PJH			
PRODUCT TANK INLET ASSEMBLY			
ITEM	DESCRIPTION	Mi-T-M #	QTY
1	NIPPLE	55-1674	1
2	ELBOW	55-1610	1
3	PIPE *(1 1/2" X 2 3/4") *(ONE FOOT REQUIRED)	55-1600	4
4	UNION	55-1645	2
5	ELBOW	55-1612	2
6	PIPE *(1 1/2" X 2 1/4") *(TWO FEET REQUIRED)	55-1600	1
7	ELBOW	55-1609	1
8	PIPE *(1 1/2" X 9") *(ONE FOOT REQUIRED)	55-1600	1
9	COUPLER	55-1614	1
10	PIPE *(1 1/2" X 6") *(ONE FOOT REQUIRED)	55-1685	1
11	REDUCER BUSHING	55-1823	1
12	ELBOW	55-1809	1

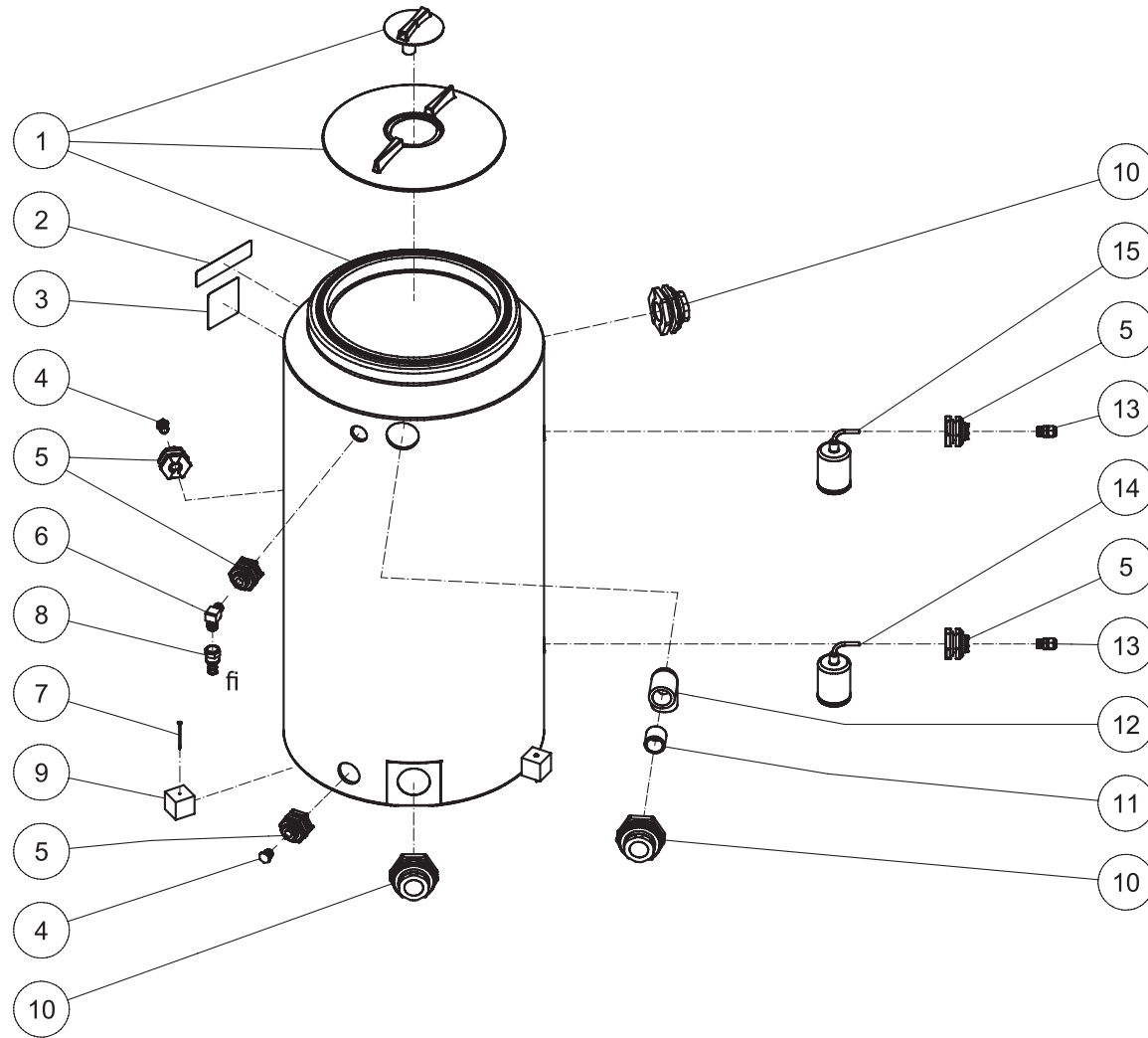
## PLUMBING: PRODUCT TANK OVERFLOW



PRODUCT TANK OVERFLOW WLP-40AB-0M11_0M31 052610 PJH			
PRODUCT TANK OVERFLOW			
ITEM	DESCRIPTION	Mi-T-M #	QTY
1	PIPE *(1 1/2" X 6") *(ONE FOOT REQUIRED)	55-1600	1
2	NIPPLE	55-1674	1
3	TEE	55-1607	1
4	PIPE *(1 1/2" X 2 3/4") *(ONE FOOT REQUIRED)	55-1600	1
5	UNION	55-1645	1
6	PIPE *(1 1/2" X 31 3/4") *(THREE FEET REQUIRED)	55-1600	1

PRODUCT TANK OVERFLOW PLUMBING WLP-40AB-0M11\_0M31 052610 PJH

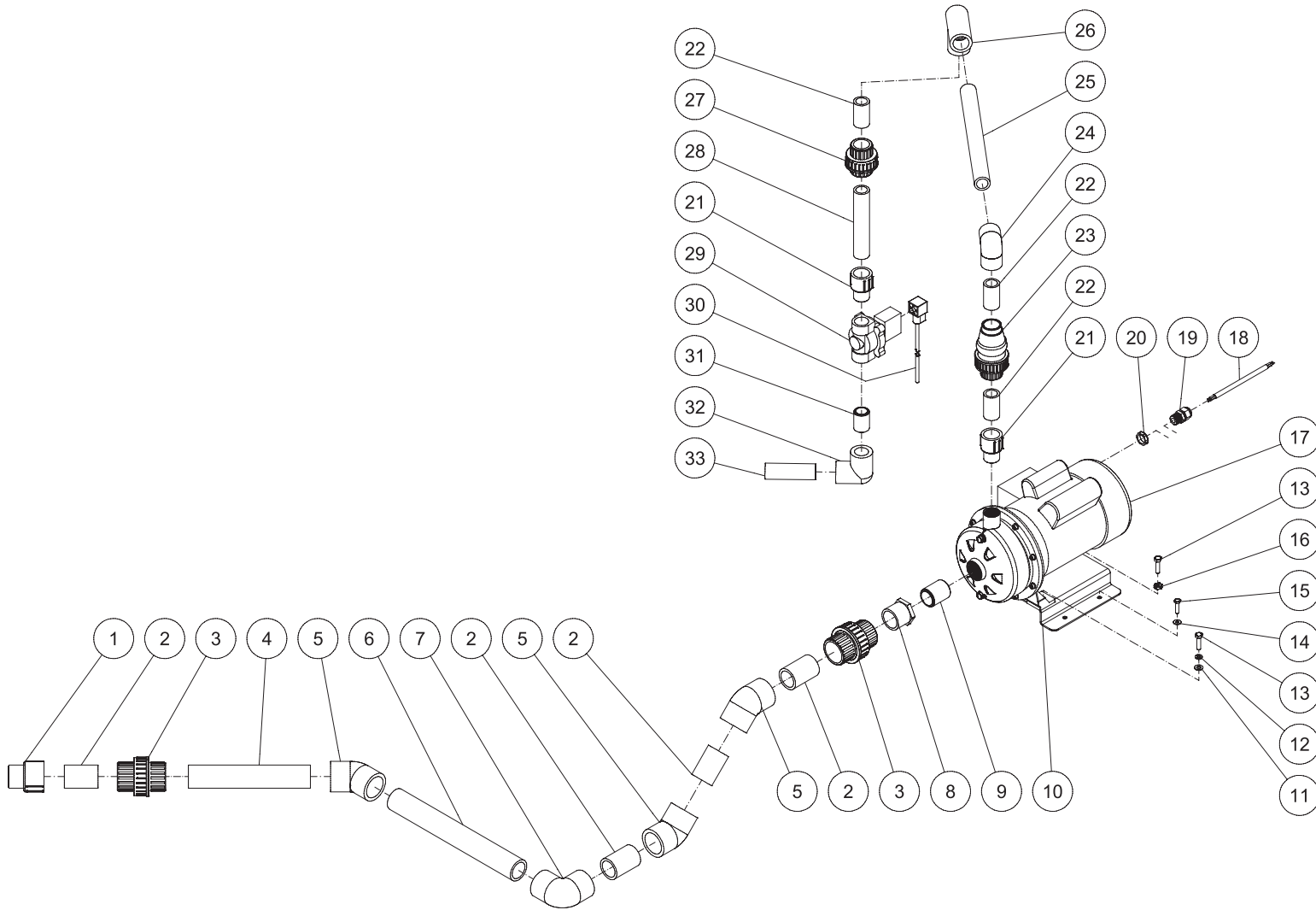
# PRODUCT TANK ASSEMBLY



PRODUCT TANK ASSY-WLP-40AB-0M11\_0M31 052010 PJH

PRODUCT TANK ASSEMBLY WLP-40AB-0M11_0M31 052010-PJH			
PRODUCT TANK ASSEMBLY			
ITEM	DESCRIPTION	PART #	QTY
1	TANK	12-0083	1
2	DECAL - PRODUCT TANK	34-1153	1
3	DECAL - NONPOTABLE WATER	34-0868	1
4	PLUG	55-0840	2
5	BULKHEAD (INC. 25-0506 GASKET)	55-0886	5
6	ELBOW	23-0363	1
7	SCREW	27-8925	3
8	HOSE BARB	23-0358	1
9	BLOCK	35-003404	3
10	BULKHEAD (INC. 25-0481 GASKET)	55-1686	3
11	NIPPLE	55-1674	1
12	ELBOW	55-1610	1
13	STRAIN RELIEF	32-0437	2
14	FLOAT	32-0663	1
15	FLOAT	32-0664	1

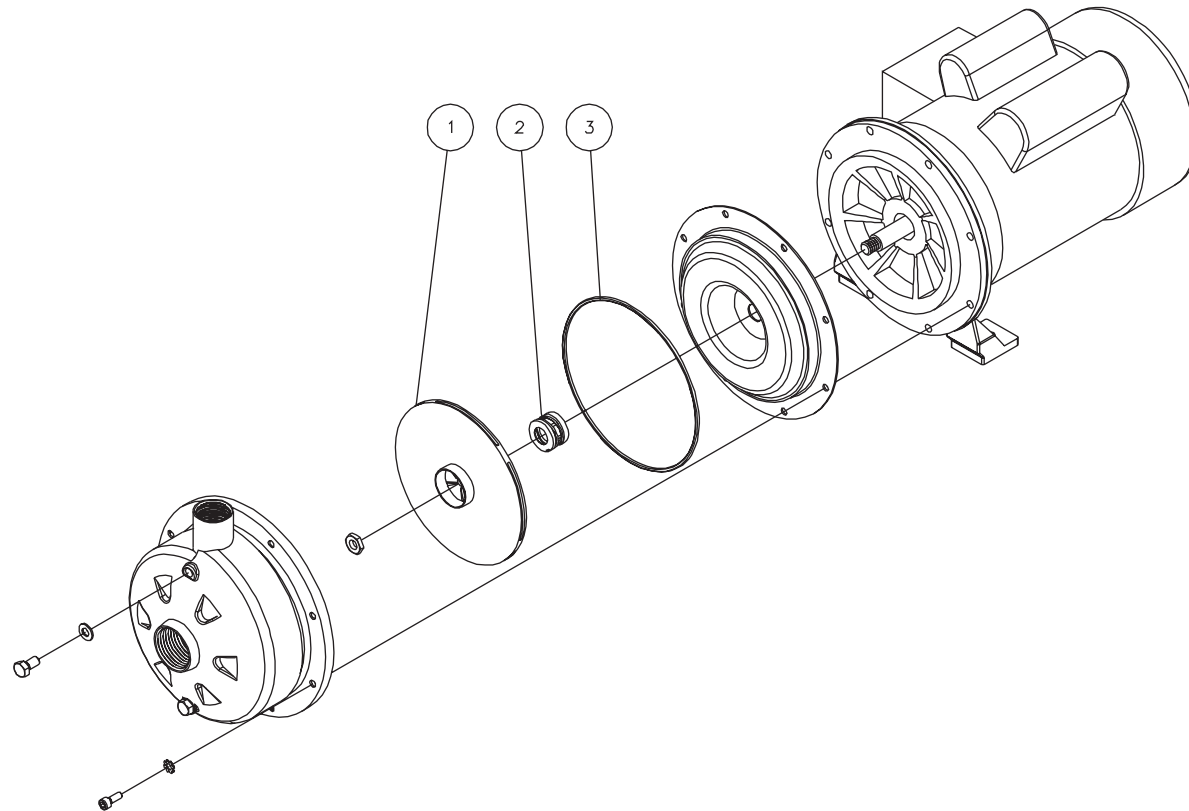
# TRANSFER PUMP ASSEMBLY



TRANSFER PUMP ASSY WLP-40AB-0M11\_0M31 052610 PJH

TRANSFER PUMP ASSEMBLY WLP-40AB-0M11_0M31 052610-PJH			
TRANSFER PUMP ASSEMBLY			
ITEM	DESCRIPTION	MI-T-M #	QTY
1	ADAPTER	55-1622	1
2	PIPE *(1 1/2" X 2 3/4") *(ONE FOOT REQUIRED)	55-1600	4
3	UNION	55-1645	2
4	PIPE *(1 1/2" X 10") *(ONE FOOT REQUIRED)	55-1600	1
5	ELBOW	55-1612	3
6	PIPE *(1 1/2" X 14 1/4") *(TWO FEET REQUIRED)	55-1600	1
7	ELBOW	55-1609	1
8	REDUCER	55-1628	1
9	NIPPLE	55-1474	1
10	PUMP HAT	21-0140	1
11	WASHER	28-0122	2
12	LOCKWASHER	29-1007	2
13	BOLT	27-8963	3
14	WASHER	28-0121	4
15	BOLT	27-5277	4
16	NUT	30-0004	1
17	PUMP (1 PHASE)	3-0218	1
-	PUMP (3 PHASE)	3-0324	1
18	CORD (1 PHASE) *(THIRTEEN FEET REQUIRED)	32-0445	1
-	CORD (3 PHASE) *(THIRTEEN FEET REQUIRED)	32-1056	1
19	STRAIN RELIEF	32-0437	1
20	ELECTRICAL LOCKNUT	32-0108	1
21	ADAPTER	55-1222	2
22	PIPE *(1" X 2 1/4") *(ONE FOOT REQUIRED)	55-1200	3
23	CHECK VALVE	55-1252	1
24	ELBOW	55-1209	1
25	PIPE *(1 1/2" X 13 1/4") *(TWO FEET REQUIRED)	55-1200	1
26	TEE	55-1201	1
27	UNION	55-1245	1
28	PIPE *(1" X 6 1/2") *(ONE FOOT REQUIRED)	55-1200	1
29	SOLENOID-NC	22-0442	1
30	CORDSET	32-0786	1
31	NIPPLE	55-1274	1
32	ELBOW	55-1210	1
33	PIPE *(1" X 4 1/8") *(ONE FOOT REQUIRED)	55-1200	1

# TRANSFER PUMP (3-0218 SINGLE PHASE) (3-0324 THREE PHASE)

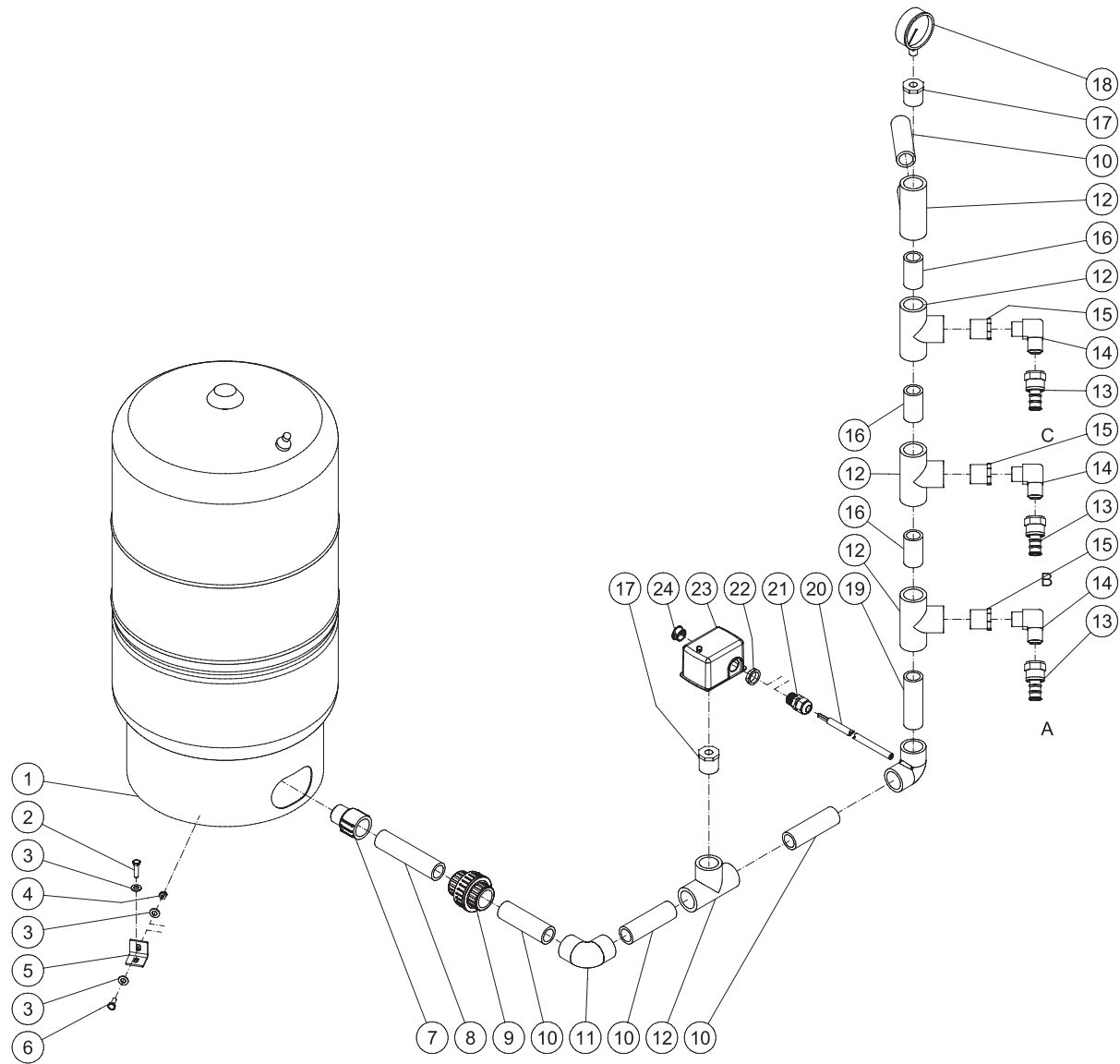


3-0218-070202-KS



3-0324_3-0218-070202-KS			
TRANSFER PUMP			
REF. #	DESCRIPTION	PART #	QTY.
1	Impeller	46-1073	1
2	Seal	26-0266	1
3	O-ring	25-0540	1
	Complete Transfer Pump (Single phase)	3-0218	
	Complete Transfer Pump (Three phase)	3-0324	

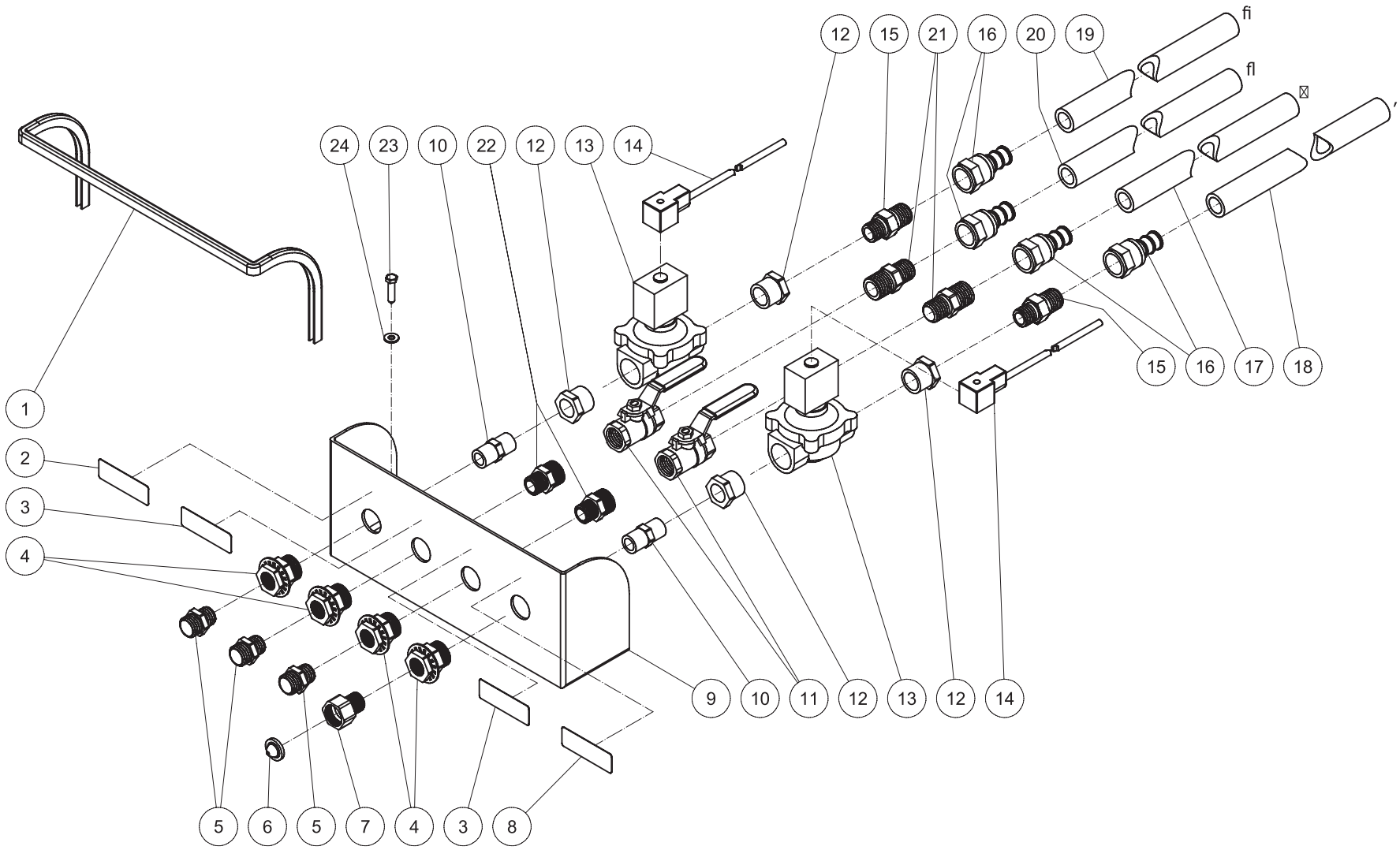
# PRESSURE TANK ASSEMBLY



PRESSURE TANK ASSY- WLP-40AB-0M11\_0M31 052610 P/JH

PRESSURE TANK ASSEMBLY WLP-40AB-0M11_0M31 052610			
PRESSURE TANK ASSEMBLY			
ITEM	DESCRIPTION	Mi-T-M #	QTY
1	PRESSURE TANK	12-0081	1
2	BOLT	27-5277	3
3	WASHER	28-0122	9
4	LOCKNUT	30-0155	3
5	BRACKET	21-0127	3
6	BOLT	27-5016	3
7	ADAPTER	55-1222	1
8	PIPE *(1" X 5 1/2") *(ONE FOOT REQUIRED)	55-1200	1
9	UNION	55-1245	1
10	PIPE *(1" X 4 1/4") *(ONE FOOT REQUIRED)	55-1200	4
11	ELBOW	55-1209	2
12	TEE	55-1201	5
13	HOSE BARB	23-0358	3
14	ELBOW	23-0364	3
15	REDUCER	55-1228	3
16	PIPE *(1" X 2 1/4") *(ONE FOOT REQUIRED)	55-1200	3
17	REDUCER	55-1231	2
18	PRESSURE GAUGE	22-0280	1
19	PIPE *(1" X 4") *(ONE FOOT REQUIRED)	55-1200	1
20	CORD *(FIFTEEN FEET REQUIRED)	32-0074	1
21	STRAIN RELIEF	32-0437	1
22	ELECTRICAL LOCKNUT	32-0108	1
23	PRESSURE SWITCH	22-0304	1
24	PLUG	39-0014	1

# MANIFOLD ASSEMBLY



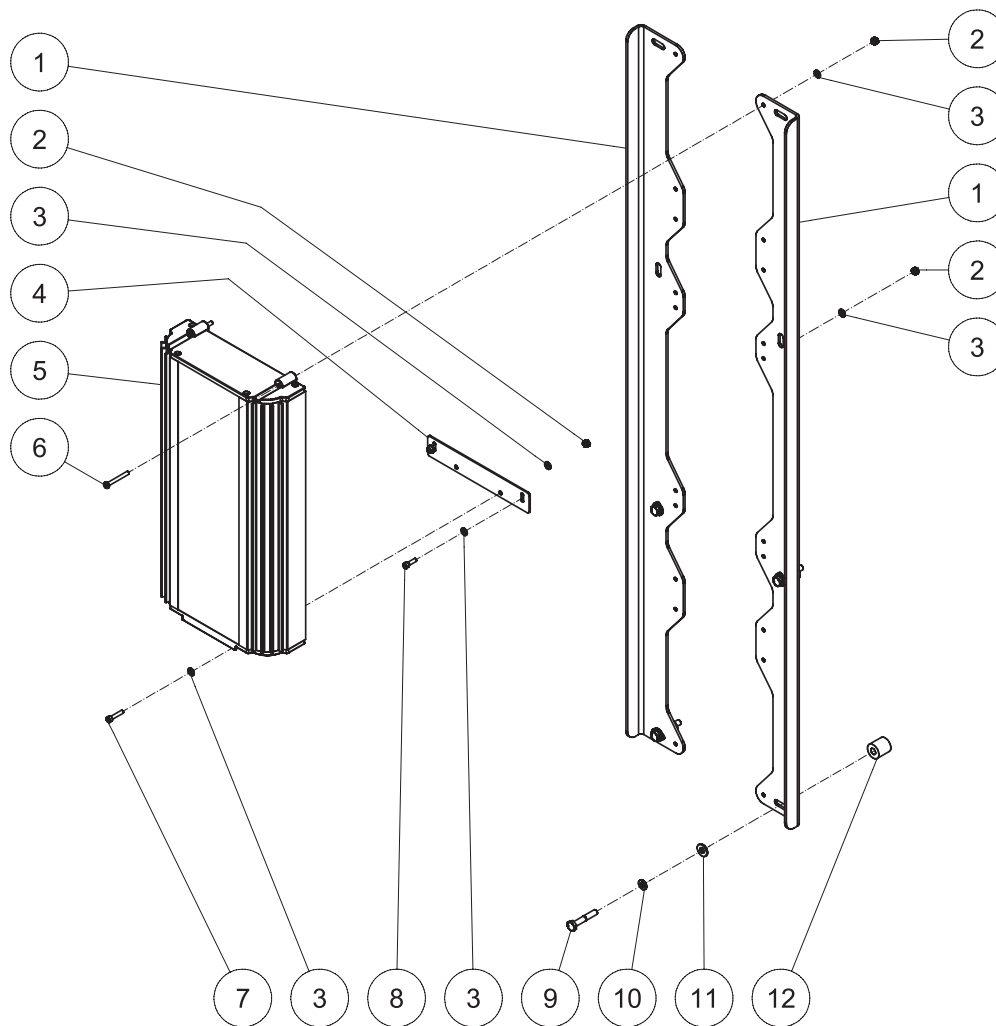
MANIFOLD ASSY-WLP-40AB-0M11\_0M31 052510 PJH

## MANIFOLD ASSEMBLY WLP-40AB-0M11\_0M31 052510 PJH

## MANIFOLD ASSEMBLY

ITEM	DESCRIPTION	PART #	QTY
1	EDGING *(TWO FEET REQUIRED)	33-0020	1
2	DECAL - RAIN WATER OVERFLOW	34-0878	1
3	DECAL - PRESSURE WASHER OUTLET	34-0877	2
4	ADAPTER	23-0365	4
5	ADAPTER	23-0136	3
6	FILTER	19-0001	1
7	SWIVEL	23-0095	1
8	DECAL - FRESH WATER INLET	34-0879	1
9	MANIFOLD	21-0116	1
10	NIPPLE	23-0012	2
11	BALL VALVE	22-0279	2
12	REDUCER	55-1234	4
13	SOLENOID-NC	22-0442	2
14	CORDSET	32-0786	2
15	NIPPLE	23-0359	2
16	HOSE BARB	23-0358	4
17	HOSE *(TWO FEET REQUIRED)	15-0033	4
18	HOSE *(TWO FEET REQUIRED)	15-0033	1
19	HOSE *(TWO FEET REQUIRED)	15-0033	1
20	HOSE *(NINE FEET REQUIRED)	15-0033	1
21	NIPPLE	23-0362	2
22	NIPPLE	23-0082	2
23	BOLT	27-5277	4
24	WASHER	28-0121	4

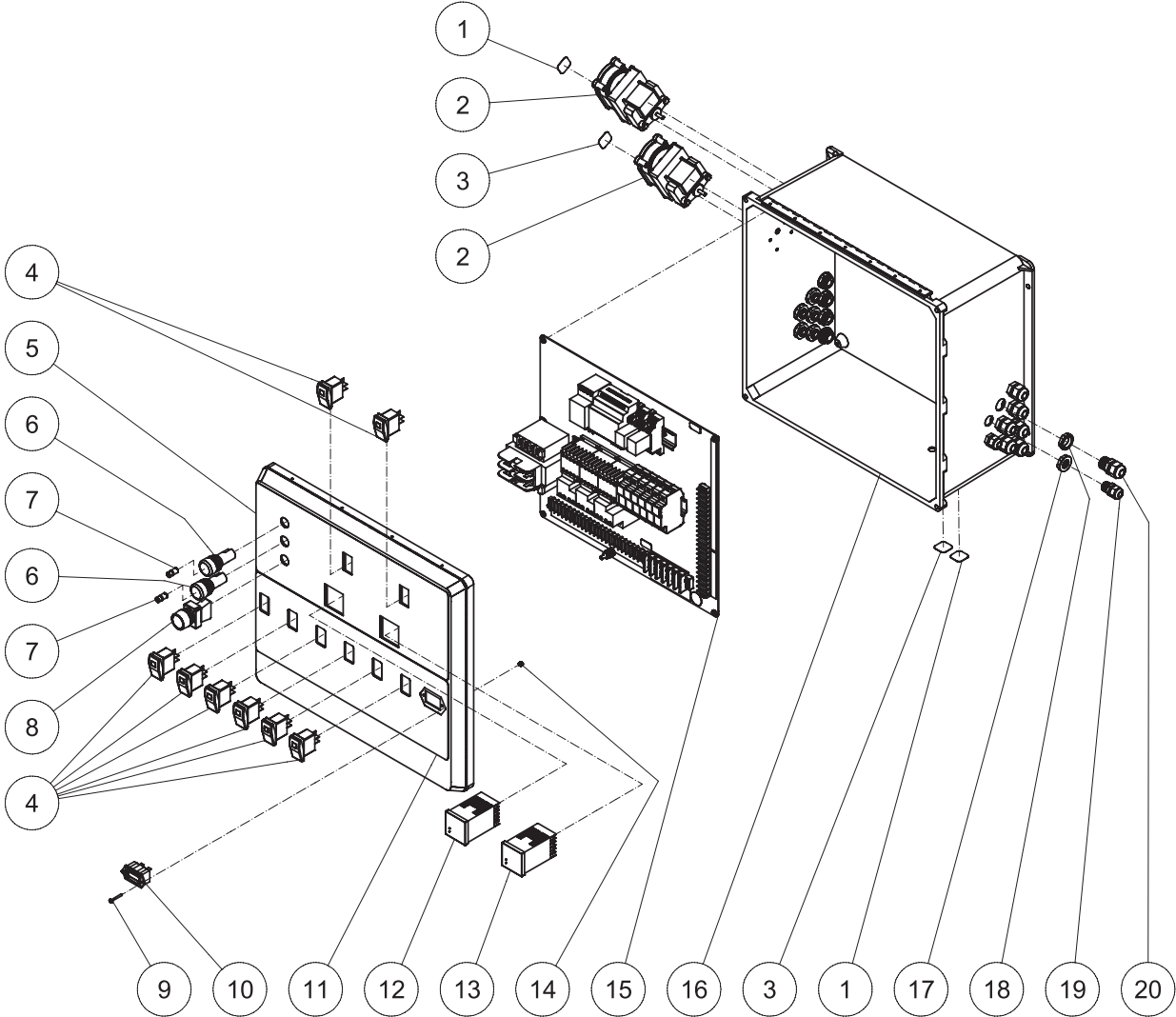
# OZONE GENERATOR



OZONE GENERATOR WLP-40AB-0M11\_0M31-052610-PJH

OZONE GENERATOR ASSEMBLY WLP-40AB-0M11_0M31 052610-PJH			
OZONE GENERATOR ASSEMBLY			
ITEM	DESCRIPTION	PART #	QTY
1	MOUNTING BRACKET	21-0216	2
2	LOCKNUT	30-8152	6
3	WASHER	28-0010	10
4	FIT PLATE	21-0219	1
5	OZONE GENERATOR	32-0860	1
6	BOLT	27-5032	2
7	BOLT	27-8930	2
8	SCREW	27-8835	2
9	BOLT	27-5031	4
10	LOCKWASHER	29-1006	4
11	WASHER	28-0121	4
12	SPACER	33-0358	4

# CONTROL PANEL

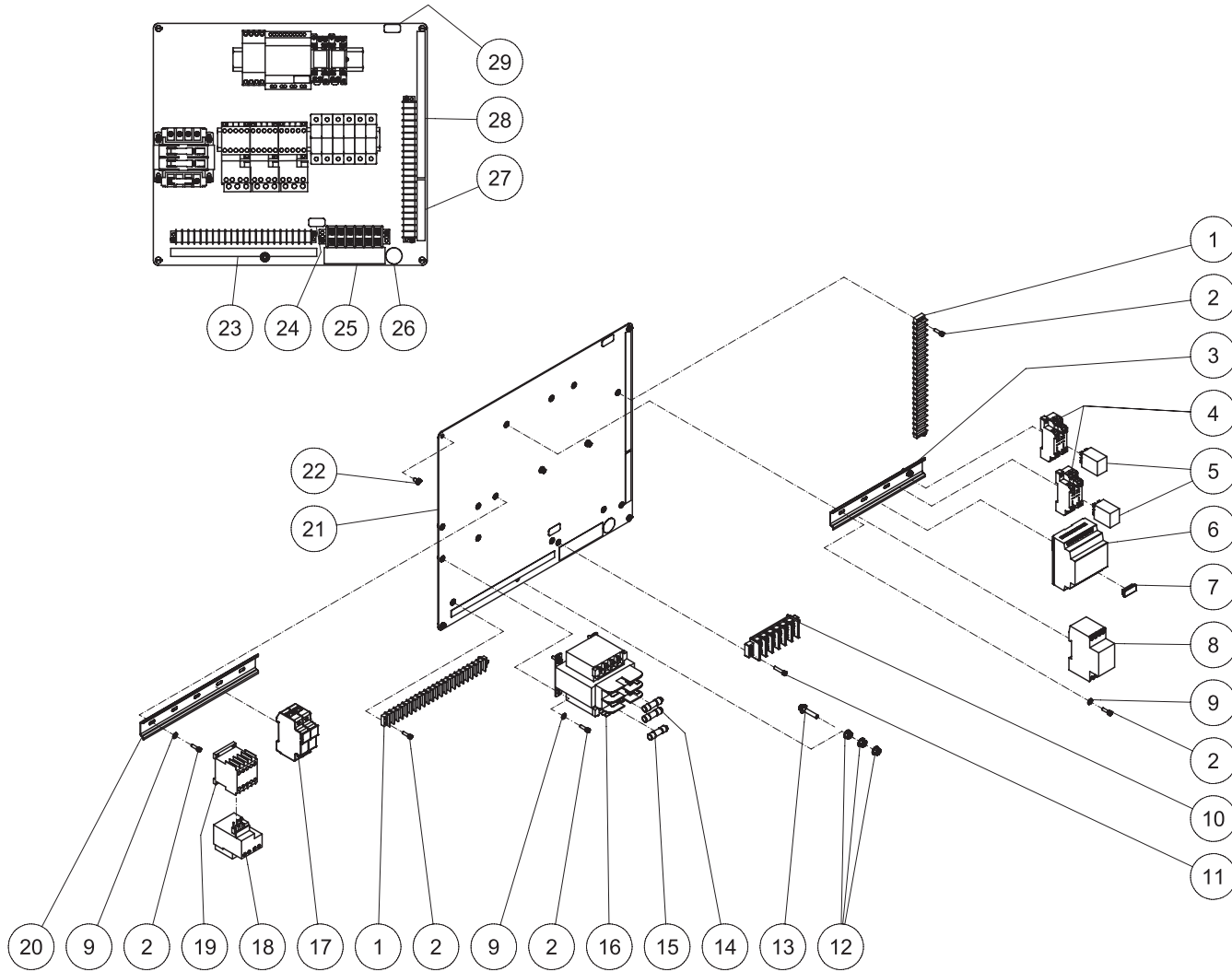


CONTROL PANEL-WLP-40AB-0M11\_0M31 052110-PJH



CONTROL PANEL ASSEMBLY WLP-40AB-0M11_0M31 052110-PJH			
CONTROL PANEL			
ITEM	DESCRIPTION	PART #	QTY
1	DECAL - ORP	N/A	2
2	PUMP	3-0316	2
3	DECAL - PH	N/A	2
4	ROCKER SWITCH	32-0669	8
5	DECAL - AUTO BACKWASH CONTROL	34-1392	1
6	INDICATOR LIGHT	32-0803	2
7	BULB	32-0937	2
8	SWITCH PUSH BUTTON	32-0534	1
9	BOLT	27-8928	2
10	HOUR METER	32-0668	1
11	DECAL - OPERATING INSTRUCTIONS	N/A	1
12	PH METER	32-0806	1
13	ORP METER	32-0807	1
14	LOCKNUT	30-8151	2
15	CONTROL PANEL PLATE ASS'Y	N/A SEP.	1
16	ELECTRIC BOX	32-054301	1
17	ELECTRICAL LOCKNUT	32-0587	7
18	ELECTRICAL LOCKNUT	32-0108	10
19	STRAIN RELIEF	32-0586	7
20	STRAIN RELIEF	32-0437	10
21	CONDUIT ELBOW	32-0254	1

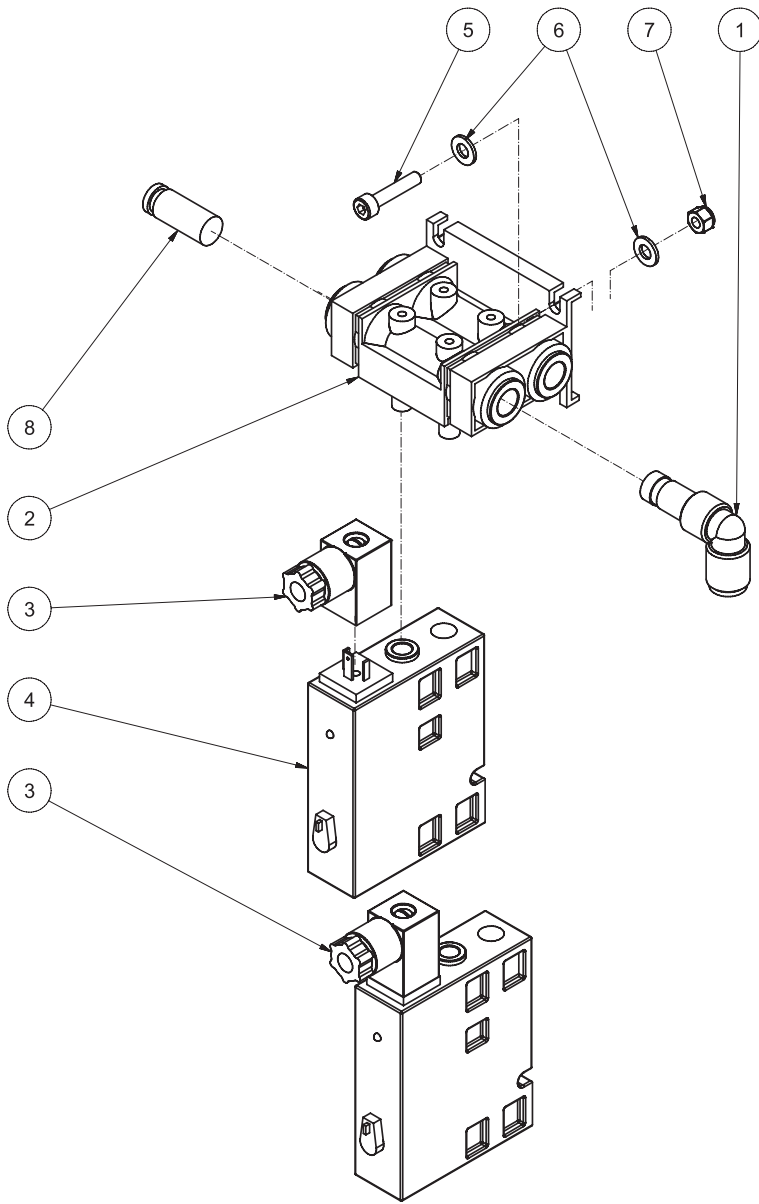
# CONTROL PANEL PLATE ASSEMBLY (AFTER SERIAL #30000144)



CONTROL PNL PLATE ASSY WLP-40AB-0M11\_0M31 052510-PJH

CONTROL PANEL PLATE ASSEMBLY WLP-40AB-0M11_0M31 052510 PJH			
CONTROL PANEL PLATE ASSEMBLY			
ITEM	DESCRIPTION	PART #	QTY
1	TERMINAL STRIP	32-0463	2
2	SCREW	27-8835	13
3	DIN RAIL *(ONE FOOT REQUIRED)	32-0316	1
4	RELAY SOCKET	32-0548	2
5	RELAY	32-1008	2
6	PROGRAMMABLE RELAY	32-0778	1
7	PROGRAMMABLE RELAY CHIP	32-0779	1
8	TIMER	32-1018	1
9	STAR WASHER	28-1009	9
10	TERMINAL BLOCK	32-0536	1
11	BOLT	27-8930	2
12	NUT	30-3022	3
13	BOLT	27-8898	1
14	FUSE	32-0740	2
15	FUSE	32-0743	1
16	TRANSFORMER	32-0735	1
17	FUSE HOLDER	32-1006	3
18	OVERLOAD	SEE CHART	3
19	CONTACTOR	SEE CHART	3
20	DIN RAIL *(ONE FOOT REQUIRED)	32-0316	1
21	ELECTRICAL PLATE	20-1159A06	1
22	SCREW	27-8933	4
23	DECAL - TERMINAL STRIP #31-52 *(SEE 34-9010)	N/A	1
24	DECAL - 230 VOLT *(SEE 34-9010)	N/A	1
25	DECAL - TERMINAL STRIP #53-58 *(SEE 34-9010)	N/A	1
26	DECAL - GROUND PICTORAL *(SEE 34-9010)	N/A	1
27	DECAL - TERMINAL STRIP 23-44	N/A	1
28	DECAL - TERMINAL STRIP *(SEE 34-9010)	N/A	1
29	DECAL - 115V	N/A	1

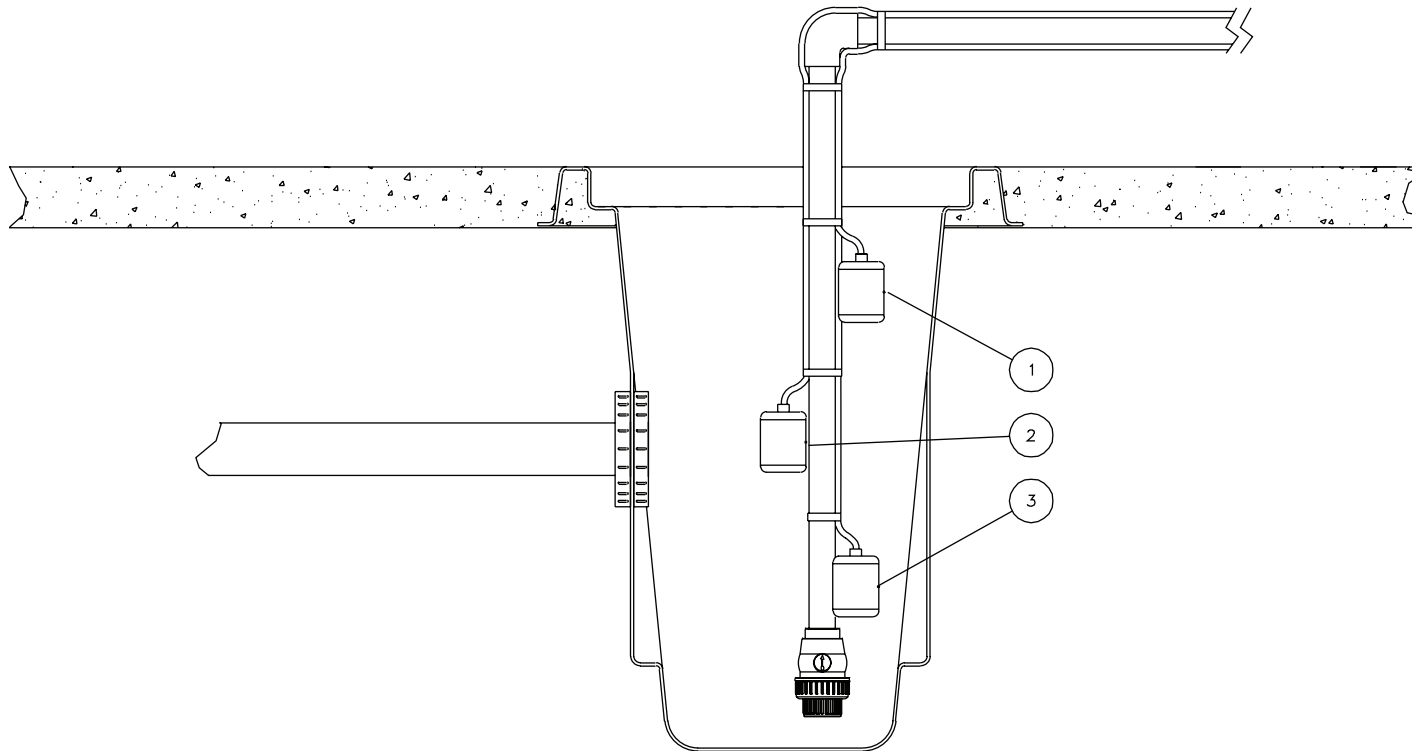
# AIR CONTROL SYSTEM



AIR CONTROL SYSTEM WLP-40AB-0M11_0M31 052510-PJH			
AIR CONTROL SYSTEM			
ITEM	DESCRIPTION	PART #	QTY
1	ELBOW	55-0091	1
2	AIR MANIFOLD	22-0356	1
3	DIN CORD	32-0772	2
4	AIR CONTROL VALVE	22-0443	2
5	BOLT	27-8930	4
6	WASHER	28-0010	8
7	LOCKNUT	30-8152	4
8	PLUG	N/A	1

AIR CONTROL SYSTEM-WLP-40AB-0M11\_0M31 052510-PJH

## SUMP PIT ASSEMBLY

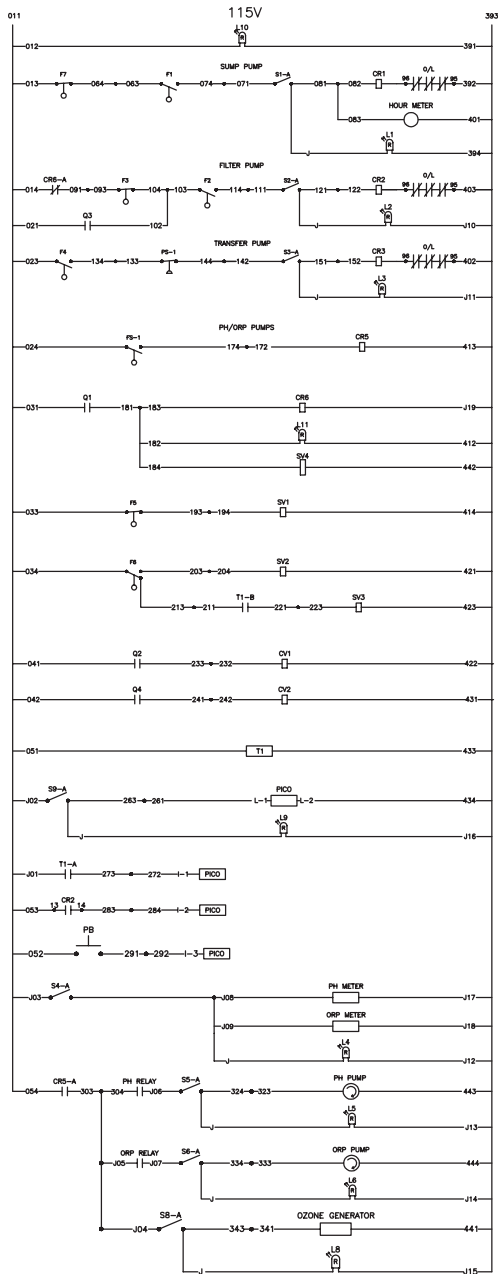


SUMP PIT ASSY-110702-KS

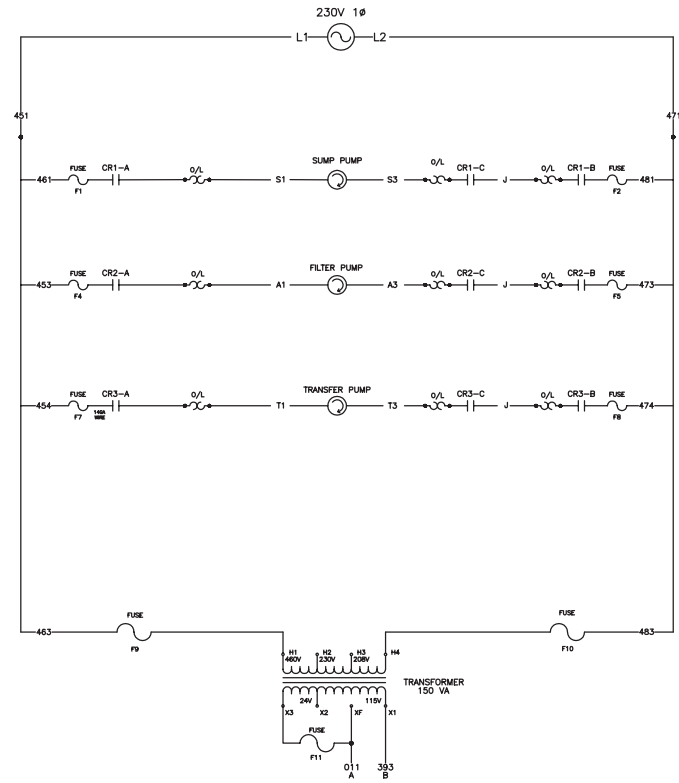
SUMP PIT ASSEMBLY			
REF. #	DESCRIPTION	PART #	QTY.
1	Float- Normally Open	32-0545	1
2	Float- Normally Closed	32-0530	1
3	Float- Normally Open	32-0528	1

SUMP PIT ASSY-110702-KS

# LADDER DIAGRAM (SINGLE PHASE)



- LEGEND:
- CR1 = CONTROL RELAY, SUMP PUMP
  - CR2 = CONTROL RELAY, FILTER PUMP
  - CR3 = CONTROL RELAY, TRANSFER PUMP
  - CR5 = CONTROL RELAY, PH/ORP PUMPS
  - CR6 = CONTROL RELAY, TRANSFER PUMP CIRCUIT
  - CV1 = CONTROL VALVE, MULTI-MEDIA VALVE
  - CV2 = CONTROL VALVE, POLISHING VALVE
  - S1 = SWITCH, SUMP PUMP
  - S2 = SWITCH, FILTER PUMP
  - S3 = SWITCH, TRANSFER PUMP
  - S4 = SWITCH, PH/ORP METERS
  - S5 = SWITCH, PH PUMP
  - S6 = SWITCH, ORP PUMP
  - S8 = SWITCH, OZONE GENERATOR
  - S9 = SWITCH, AUTO-BACKWASH
  - S10 = SWITCH, CLARIFIER AUTO-DRAIN
  - L1 = LIGHT FOR S1
  - L2 = LIGHT FOR S2
  - L3 = LIGHT FOR S3
  - L4 = LIGHT FOR S4
  - L5 = LIGHT FOR S5
  - L6 = LIGHT FOR S6
  - L7 = LIGHT FOR S7
  - L8 = LIGHT FOR S8
  - L9 = LIGHT FOR S9
  - L10 = POWER ON
  - L11 = BACKWASH INDICATOR
  - L12 = LIGHT FOR S10
  - PS1 = PRESSURE SWITCH, 30-50 PSI, TRANSFER PUMP
  - FS1 = FLOW SWITCH, PH/ORP PUMPS
  - F1 = FLOAT, N.O. BLUE, PIT, SUMP PUMP
  - F2 = FLOAT, N.O. BLUE, HOLDING TANK, FILTER PUMP
  - F3 = FLOAT, N.O. RED, PRODUCT TANK, FILTER PUMP
  - F4 = FLOAT, N.O. BLUE, PRODUCT TANK, TRANSFER PUMP
  - F5 = FLOAT, N.C. RED, PIT, FRESHWATER MAKE-UP
  - F6 = FLOAT, N.O./N.C. RED, PIT, RAINWATER OVERFLOW
  - F7 = FINGER FLOAT, N.C. HOLDING TANK, SUMP PUMP
  - SV1 = SOLENOID VALVE, FRESHWATER MAKE-UP
  - SV2 = SOLENOID VALVE, RAINWATER OVERFLOW
  - SV3 = SOLENOID VALVE, TIMER/RECIRCULATION
  - SV4 = SOLENOID VALVE, AB FLOW CONTROL
  - T1A = 24H TIMER, AUTO-BACKWASH, TIMED CLOSED
  - T1B = 24H TIMER, RECIRCULATION, TIMED CLOSED
  - PB1 = PUSH BUTTON SWITCH, INITIATE AUTO-BACKWASH
  - H = HOUR METER, SUMP PUMP

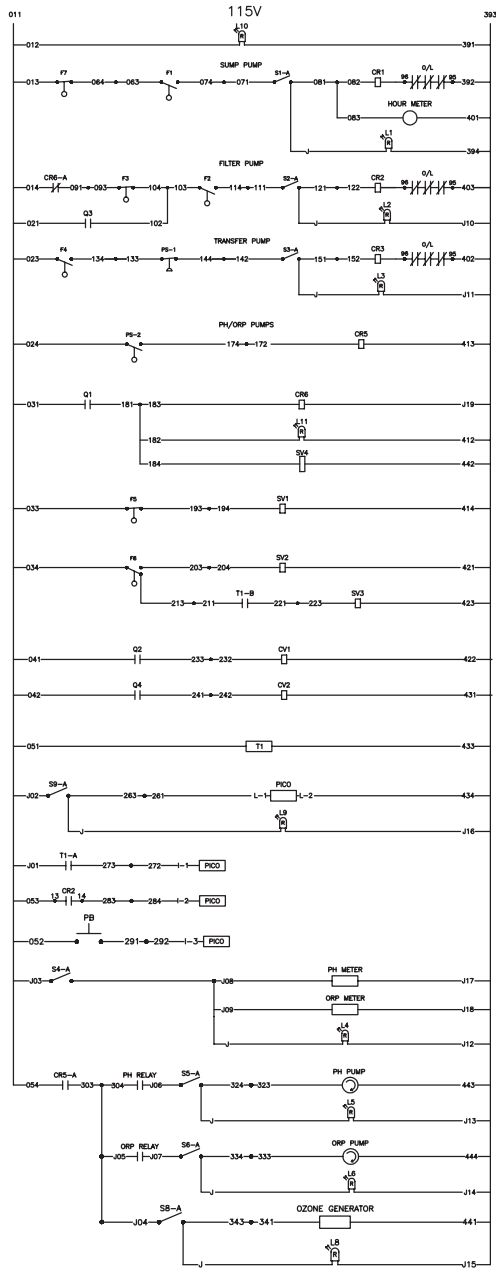


LADDER DIAGRAM WLP-40AB-0M11- 111309-PJH

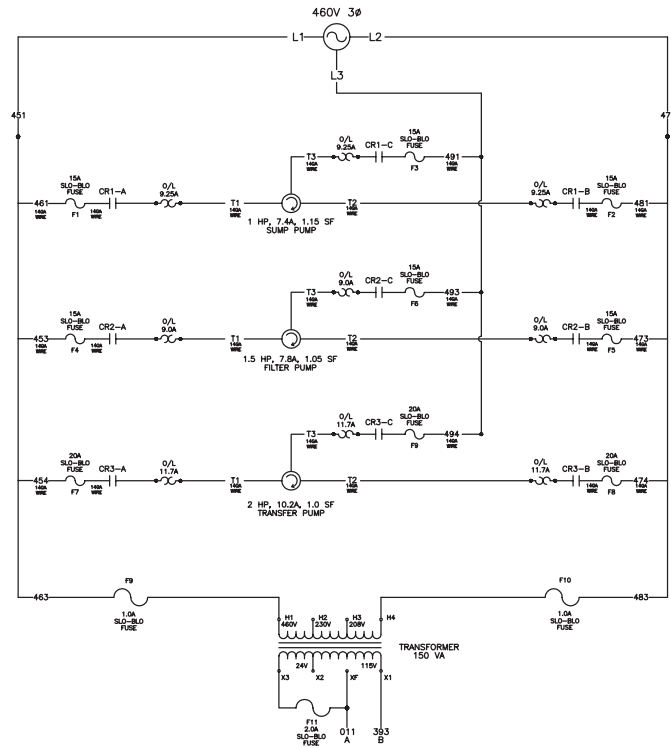


# LADDER DIAGRAM (THREE PHASE)

WIRE DIAGRAM WLP-40AB-0M31 063009-PJH

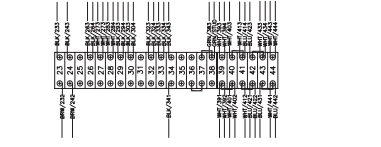
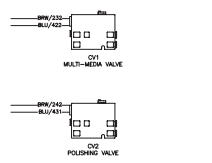
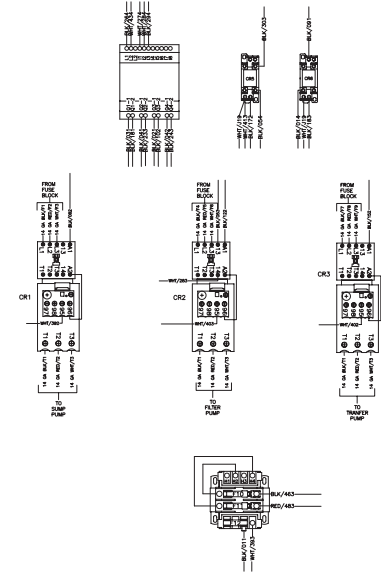
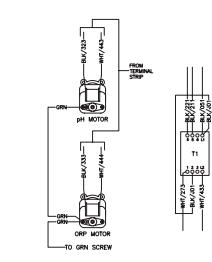
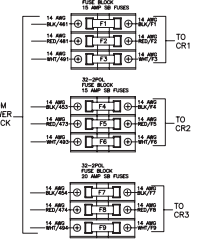
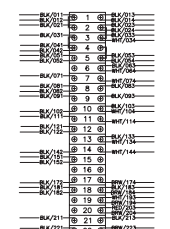
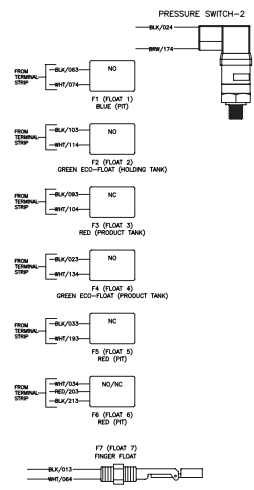
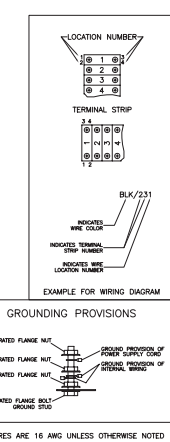
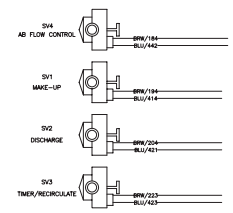
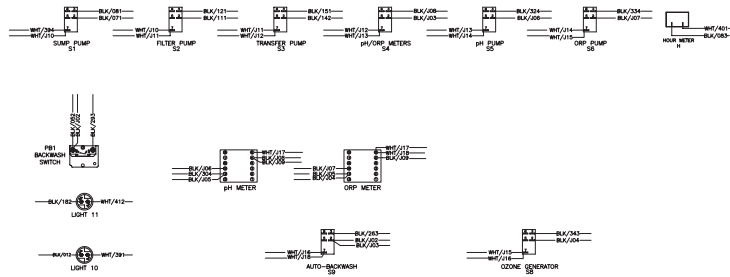
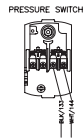
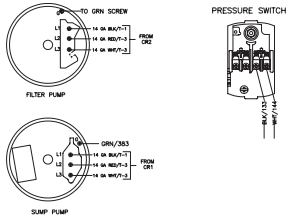
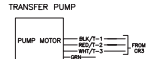


- LEGEND:
- CR1 = CONTROL RELAY, SUMP PUMP
  - CR2 = CONTROL RELAY, FILTER PUMP
  - CR3 = CONTROL RELAY, TRANSFER PUMP
  - CR5 = CONTROL RELAY, PH/ORP PUMPS
  - CR6 = CONTROL RELAY, TRANSFER PUMP CIRCUIT
  - CV1 = CONTROL VALVE, MULTI-MEDIA VALVE
  - CV2 = CONTROL VALVE, POLISHING VALVE
  - S1 = SWITCH, SUMP PUMP
  - S2 = SWITCH, FILTER PUMP
  - S3 = SWITCH, TRANSFER PUMP
  - S4 = SWITCH, PH/ORP METERS
  - S5 = SWITCH, PH PUMP
  - S6 = SWITCH, ORP PUMP
  - S8 = SWITCH, OZONE GENERATOR
  - S9 = SWITCH, AUTO-BACKWASH
  - S10 = SWITCH, CLARIFIER AUTO-DRAIN
  - L1 = LIGHT FOR S1
  - L2 = LIGHT FOR S2
  - L3 = LIGHT FOR S3
  - L4 = LIGHT FOR S4
  - L5 = LIGHT FOR S5
  - L6 = LIGHT FOR S6
  - L7 = LIGHT FOR S7
  - L8 = LIGHT FOR S8
  - L9 = LIGHT FOR S9
  - L10 = POWER ON
  - L11 = BACKWASH INDICATOR
  - L12 = LIGHT FOR S10
  - PS1 = PRESSURE SWITCH, 30-50 PSI, TRANSFER PUMP
  - PS2 = PRESSURE SWITCH, PH/ORP PUMPS
  - F1 = FLOAT, N.O. BLUE, PIT, SUMP PUMP
  - F2 = FLOAT, N.O. BLUE, HOLDING TANK, FILTER PUMP
  - F3 = FLOAT, N.C. RED, PRODUCT TANK, FILTER PUMP
  - F4 = FLOAT, N.O. BLUE, PRODUCT TANK, TRANSFER PUMP
  - F5 = FLOAT, N.C. RED, PIT, FRESHWATER MAKE-UP
  - F6 = FLOAT, N.O./N.C. RED, PIT, RAINWATER OVERFLOW
  - F7 = FINGER FLOAT, N.C. HOLDING TANK, SUMP PUMP
  - SV1 = SOLENOID VALVE, FRESHWATER MAKE-UP
  - SV2 = SOLENOID VALVE, RAINWATER OVERFLOW
  - SV3 = SOLENOID VALVE, TIMER/RECIRCULATION
  - SV4 = SOLENOID VALVE, AB FLOW CONTROL
  - T1A = 24H TIMER, AUTO-BACKWASH, TIMED CLOSED
  - T1B = 24H TIMER, RECIRCULATION, TIMED CLOSED
  - PB1 = PUSH BUTTON SWITCH, INITIATE AUTO-BACKWASH
  - H = HOUR METER, SUMP PUMP





# WIRE DIAGRAM (THREE PHASE)



FUSE CHART		OVERLOAD SETTING	
F1	15A XLDR	CR1	5.0A
F3	15A XLDR	CR2	5.0A
F4	15A XLDR	CR3	11.7A
F5	15A XLDR		
F6	15A XLDR		
F7	20A XLDR		
F8	20A XLDR		
F9	20A XLDR		
F10	1.0A XLDR		
F11	1.0A XLDR		
F12	2.0A FLA		



WIRE DIAGRAM WLP-40AB-0M31 063009-PJH

Manufactured by Mi-T-M  
8650 Enterprise Drive, Peosta IA 52068  
563-556-7484/ Fax 563-556-1235