



PARTS LIST FOR  
***BIO-20R-0M11 / 1M11 / 0M31 / 1M31***  
***(AFTER SERIAL #30007000)***  
WATER TREATMENT SYSTEM

Congratulations on the purchase of your new Mi-T-M water treatment system! This parts listing has been compiled for your benefit. You can be assured your Mi-T-M water treatment system was constructed and designed with quality and performance in mind. Each component has been rigorously tested to insure the highest level of acceptance.

The contents of this parts listing are based on the latest product information available at the time of publication. Mi-T-M reserves the right to make changes in price, color, materials, equipment, specifications or models at any time without notice.

### **WARNING**

**THIS IS A PROFESSIONAL WATER TREATMENT SYSTEM. CAUTION SHOULD BE OBSERVED WHEN USING OR REPAIRING THIS UNIT! READ AND FOLLOW THE SAFETY WARNINGS LISTED BELOW BEFORE ATTEMPTING ANY REPAIRS ON THIS WATER TREATMENT SYSTEM!**

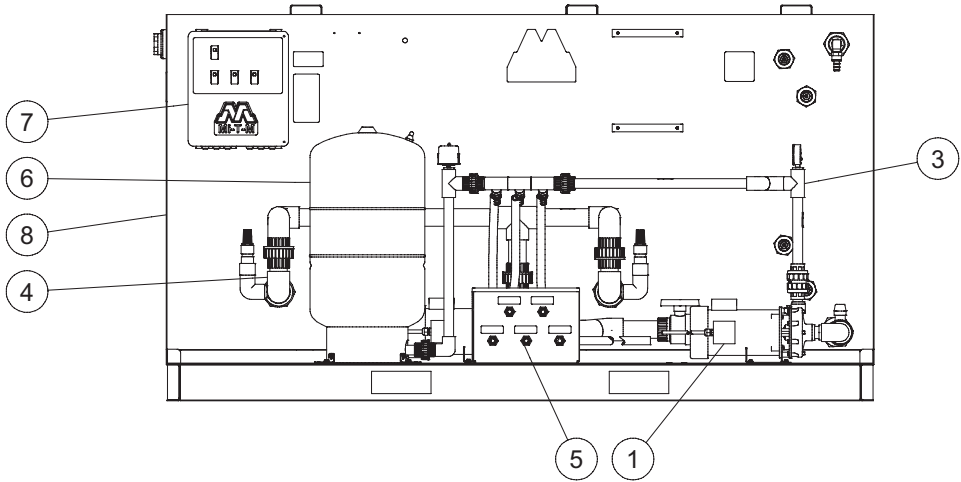
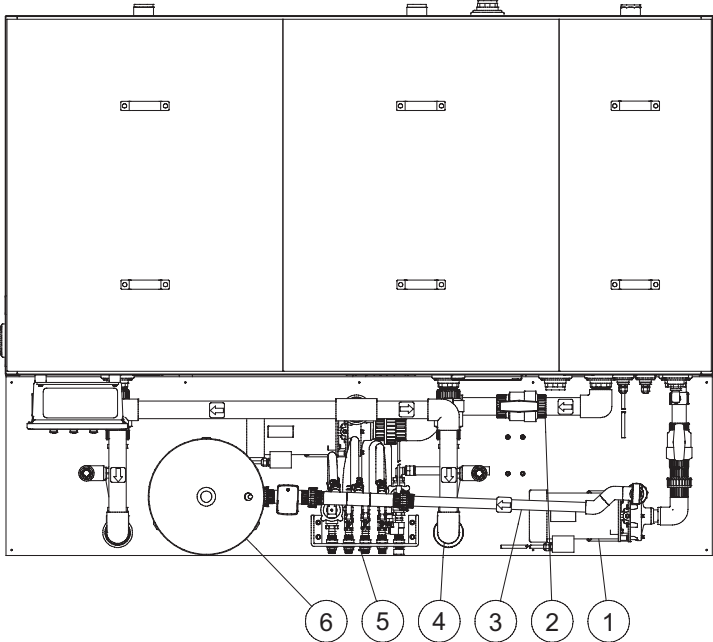
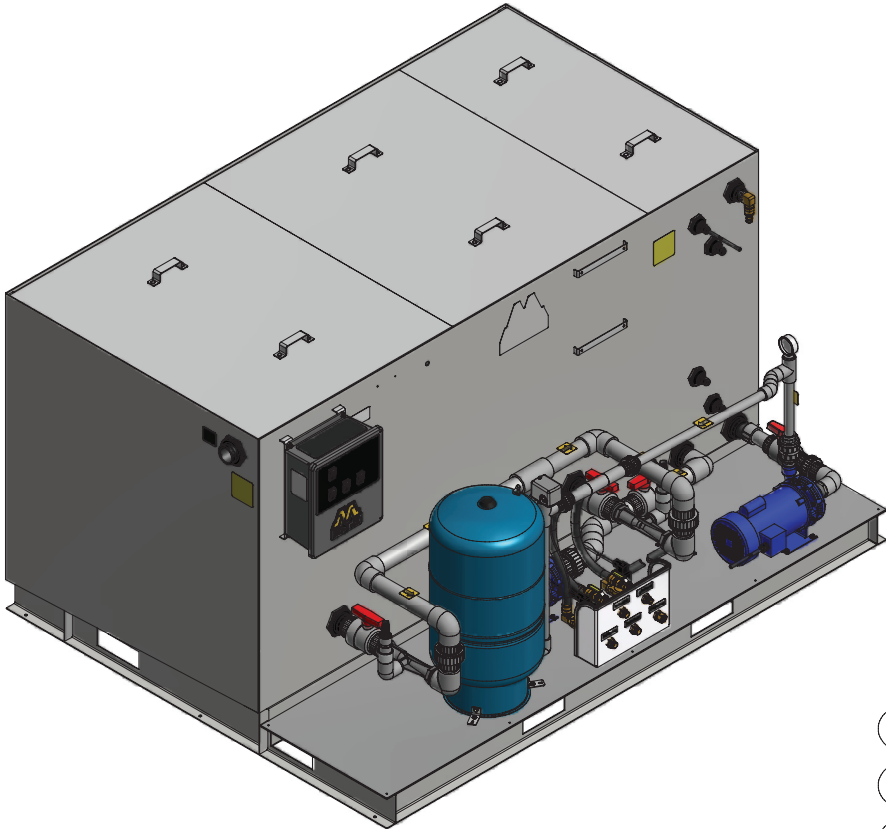
### **SAFETY WARNINGS**

1. Serious injury or death could occur if the water treatment system is not properly grounded. Your water treatment system is powered by electricity and may cause electric shock or electrocution if not installed properly. Installation to this unit, including all electrical connections, must comply with all local, state and national codes. Any electrical wiring or repairs performed on this water treatment system should be done by Authorized Service Personnel in accordance with National and Local electrical codes.
2. NEVER alter or modify the equipment. Use only genuine Mi-T-M parts for repair of your water treatment system. Failure to do so can cause hazardous operating conditions and will VOID warranty.
3. Know how to stop and bleed pressures quickly. Be thoroughly familiar with controls. Do not operate without protective cover/guards. Follow the maintenance instructions specified in your operator's manual.
4. Before servicing, ALWAYS shut off the water and the unit. Allow the unit to cool down. NEVER assume the water treatment system is safe to work on just because it is not operating. It could restart at any time! ALWAYS disconnect from the power source. Service in a clean, dry flat area.
5. Be especially careful to properly dispose of any flammable materials. Consult Materials Safety Data Sheets for safe handling of chemicals used with your system, especially oxidizers and acids.

## Table of Contents

MAIN ASSEMBLY (AFTER SERIAL #30005000) .....	4
TANK ASSEMBLY (AFTER SERIAL #30005000).....	6
LARGE TANK LID ASSEMBLY .....	8
SMALL TANK LID ASSEMBLY .....	10
AERATOR INLET PLUMBING (AFTER SERIAL #30005000) .....	12
AERATOR OUTLET PLUMBING .....	14
AERATION PUMP (3-0319 THREE PHASE AND 3-0329 SINGLE PHASE).....	16
PLUMBING MANIFOLD (AFTER SERIAL #30005000).....	18
TRANSFER PUMP ASSEMBLY .....	20
TRANSFER PUMP (3-0218 SINGLE PHASE AND 3-0324 THREE PHASE).....	22
MANIFOLD ASSEMBLY (AFTER SERIAL #30005000).....	24
PRESSURE TANK ASSEMBLY (AFTER SERIAL #30005000) .....	26
SOLENOID VALVE (22-0442).....	28
SUMP PIT ASSEMBLY .....	30
CONTROL PANEL (0M11/1M11) (AFTER SERIAL #30005000) .....	32
CONTROL PANEL (0M31/1M31) (AFTER SERIAL #30005000).....	34
ELECTRICAL SCHEMATIC (SINGLE PHASE) (AFTER SERIAL #30005000).....	36
ELECTRICAL DIAGRAM (SINGLE PHASE) (AFTER SERIAL #30005000).....	37
ELECTRICAL SCHEMATIC (THREE PHASE) (AFTER SERIAL #30005000).....	38
ELECTRICAL DIAGRAM (THREE PHASE) (AFTER SERIAL #30005000).....	39

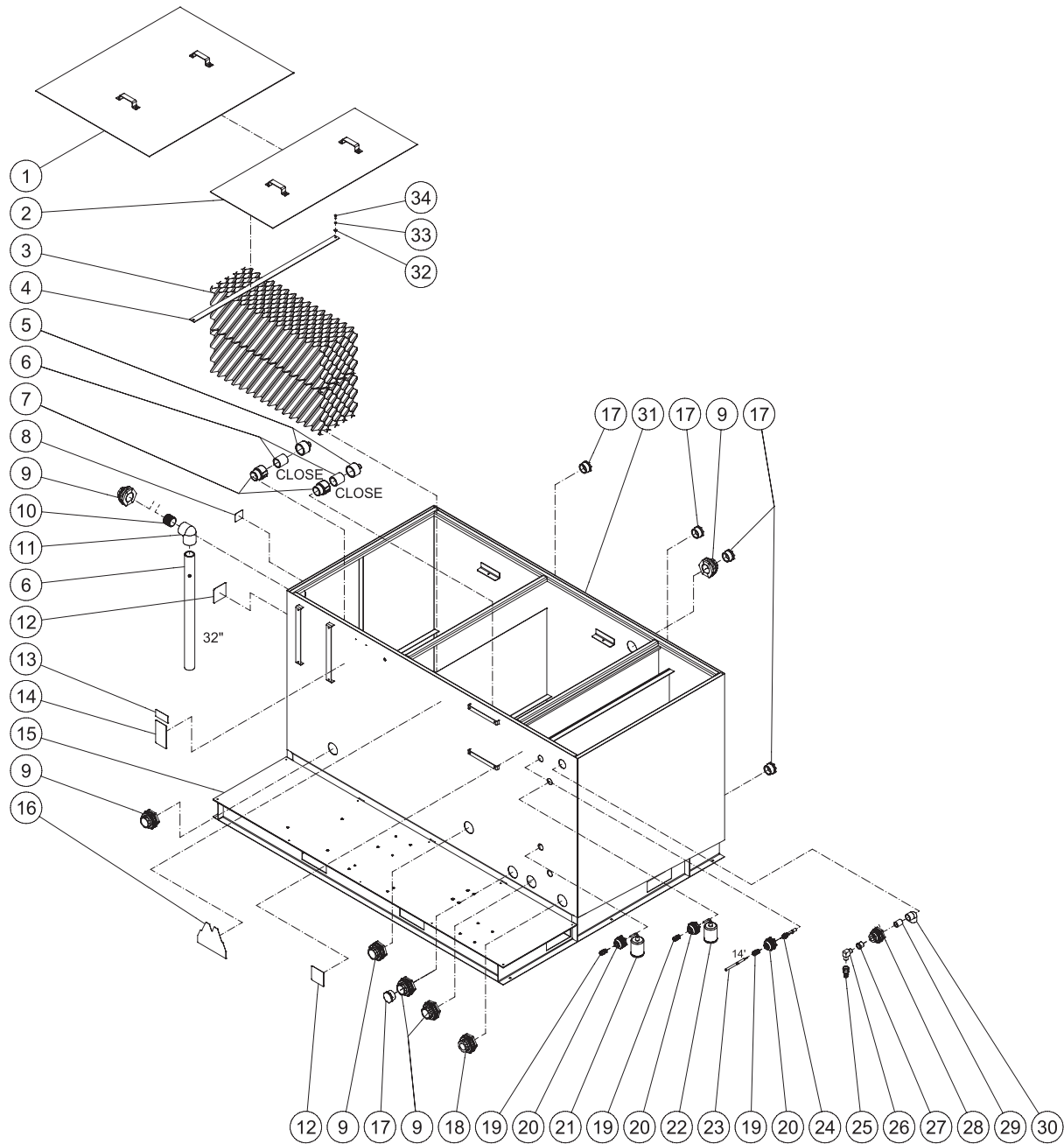
MAIN ASSEMBLY (AFTER SERIAL #30007000)



BIO-20R 033017 MLK

BIO-20R 033017 MLK			
MAIN ASSEMBLY			
ITEM	DESCRIPTION	Mi-T-M #	QTY
1	TRANSFER PUMP ASSEMBLY	N/A SEP.	1
2	AERATOR INLET PLUMBING	N/A SEP.	1
3	PLUMBING: MANIFOLD	N/A SEP.	1
4	AERATOR OUTLET PLUMBING	N/A SEP.	1
5	MANIFOLD ASSEMBLY	N/A SEP.	1
6	PRESSURE TANK ASSY.	N/A SEP.	1
7	CONTROL PANEL ASSEMBLY	N/A SEP.	1
8	TANK ASSEMBLY	N/A SEP.	1

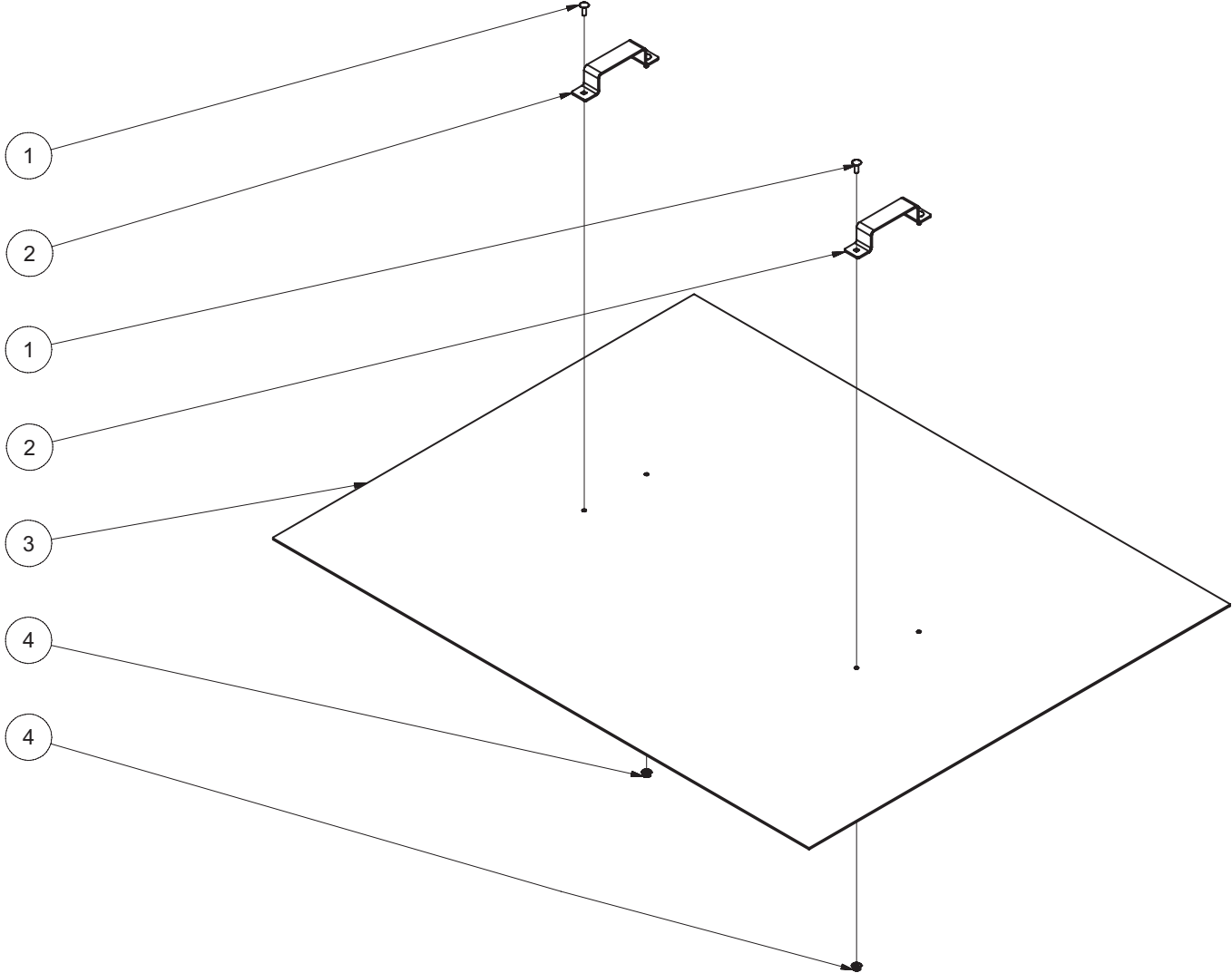
# TANK ASSEMBLY (AFTER SERIAL #30007000)



TANK ASSEMBLY - BIO-20R 032917 MLK

TANK ASSEMBLY - BIO-20R 032917 MLK			
TANK ASSEMBLY			
ITEM	DESCRIPTION	Mi-T-M #	QTY
1	LARGE LID BIO (DS) (RS)	N/A SEP.	2
2	SMALL LID BIO (DS)	N/A SEP.	1
3	MEDIA (STANDARD)	33-0337	16
-	VERTICAL FLOW MEDIA (WX-0120)	33-0543	16
4	STRAP - SS (1M11/1M31)	12-013515	2
-	STRAP AL (0M11/0M31)	56-0042	2
5	REDUCER	55-1894	2
6	*PIPE 2" *(FOUR FEET REQUIRED)	55-1800	1
7	ADAPTER	55-1822	2
8	DECAL - INLET (SEE 71-0104)	N/A	1
9	BULKHEAD (INC. 25-0481 GASKET) (1M11/1M31)	55-1886	6
-	BULKHEAD (INC. 25-0481 O-RING) (0M11/0M31)	55-1886	5
10	NIPPLE	55-1874	1
11	ELBOW	55-1810	1
12	DECAL - NONPOTABLE WATER (SEE 71-0104)	N/A	2
13	DECAL - SILVER STICKER	N/A	1
14	DECAL - RISK OF ELECTROCUTION (SEE 71-0104)	N/A	1
15	DECK PLATE	12-023915	1
16	DECAL - #5M	34-2171	1
17	PLUG (1M11/1M31)	55-1840	5
-	PLUG 2" (0M11/0M31)	55-1840	4
18	BULKHEAD (INC. 25-0481 GASKET)	55-1686	1
19	STRAIN RELIEF	32-0437	4
20	BULKHEAD	55-0886	4
21	FLOAT	32-0664	1
22	FLOAT	32-0663	2
23	CORD *(FOURTEEN FEET REQUIRED)	32-0075	1
24	SWITCH	32-0533	1
25	HOSE BARB	23-0358	1
26	ELBOW	23-0364	1
27	REDUCER BUSH	55-1233	1
28	BULKHEAD (INC. 25-0482 GASKET)	55-1286	1
29	NIPPLE	55-1274	1
30	ELBOW	55-1210	1
31	BIO TANK - SS (1M11/1M31)	12-9240	1
-	BIO TANK - ALUM. (0M11/0M31)	12-0239	1
32	WASHER (1M11/1M31)	28-0121	4
-	WASHER (0M11/0M31)	28-0122	4
33	LOCKWASHER (1M11/1M31)	29-1006	4
-	LOCKWASHER (0M11/0M31)	29-1007	4
34	BOLT (1M11/1M31)	27-5016	4
-	BOLT (0M11/0M31)	27-5066	1
-	DECAL SET	71-0104	1
-	RIVET - (NOT SHOWN) (1M11/1M31)	53-0004	10
*MUST ORDER IN ONE FOOT LENGTHS			

# LARGE TANK LID ASSEMBLY

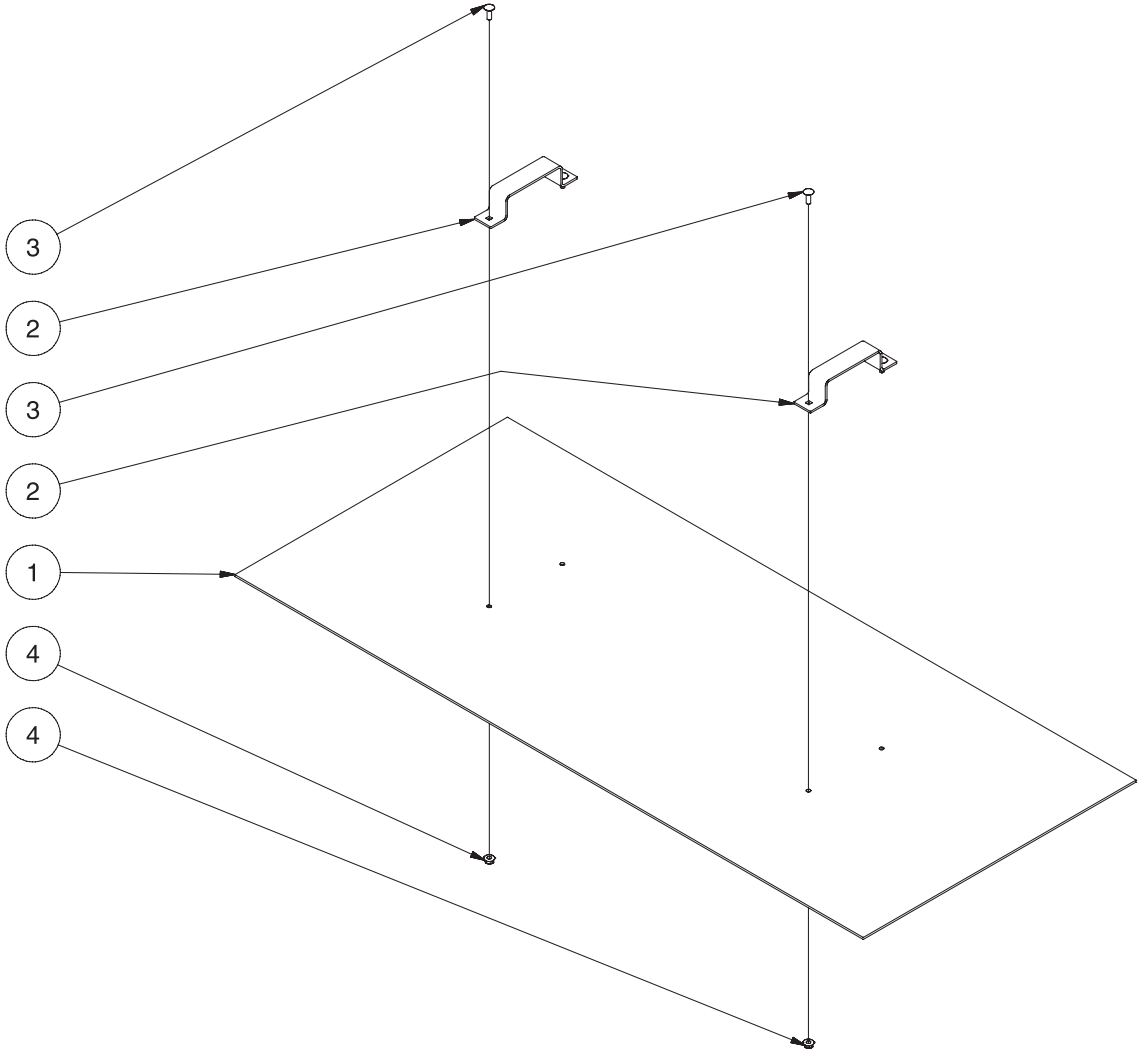


LARGE TANK LID ASSY-092506-PJH



LARGE LID BIO 092506 PJH			
LARGE TANK LID ASSEMBLY			
ITEM	DESCRIPTION	PART #	QTY
1	BOLT	31-5027	4
2	HANDLE	56-0040	2
3	LID	56-0043	1
4	NUT	30-5202	4

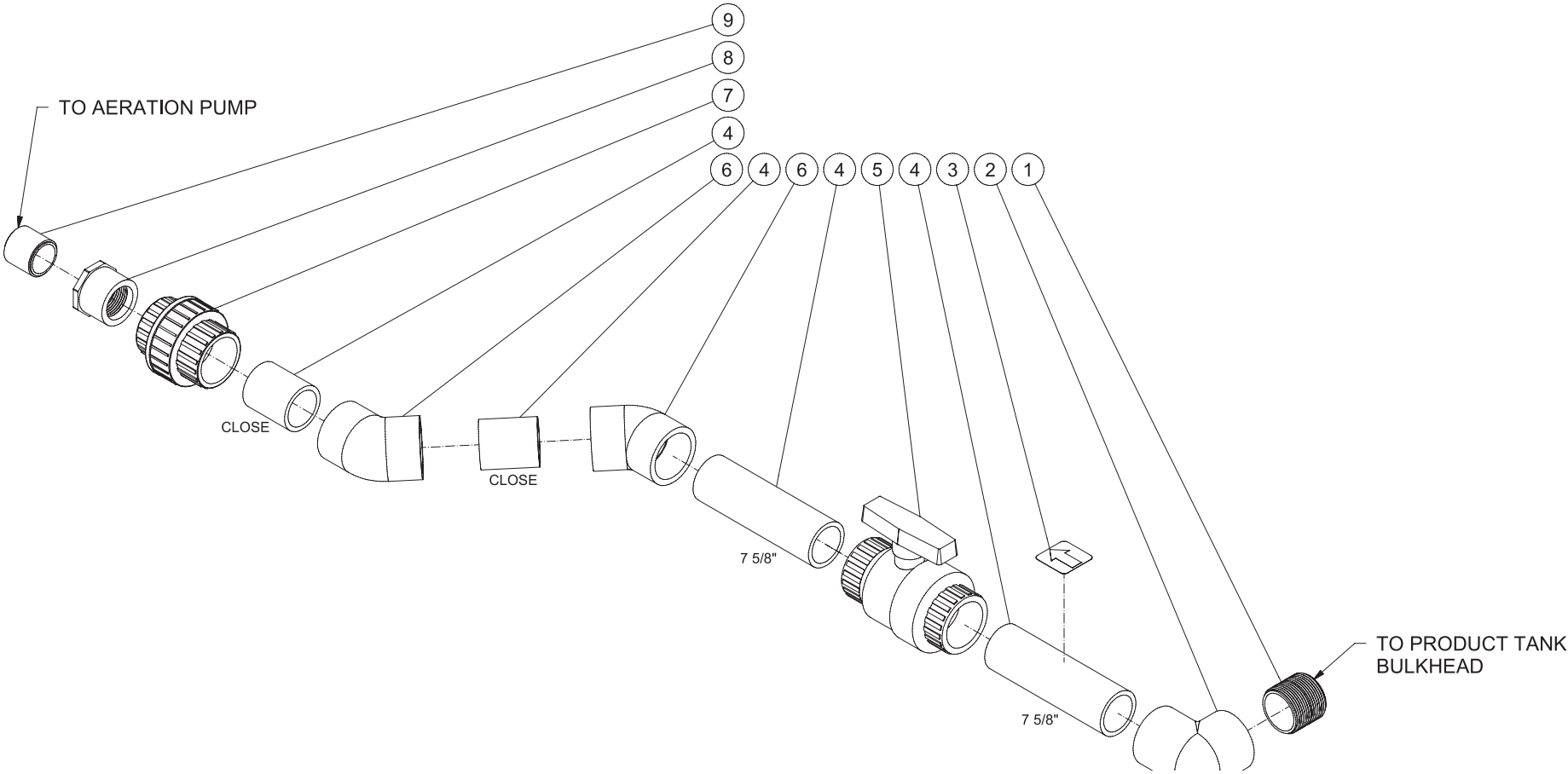
SMALL TANK LID ASSEMBLY



SMALL LID BIO 123003 ASY

SMALL LID BIO 123003 ASY			
SMALL TANK LID ASSEMBLY			
ITEM	DESCRIPTION	PART #	QTY
1	LID	56-0041	1
2	HANDLE	56-0040	2
3	BOLT	31-5027	4
4	NUT	30-5202	4

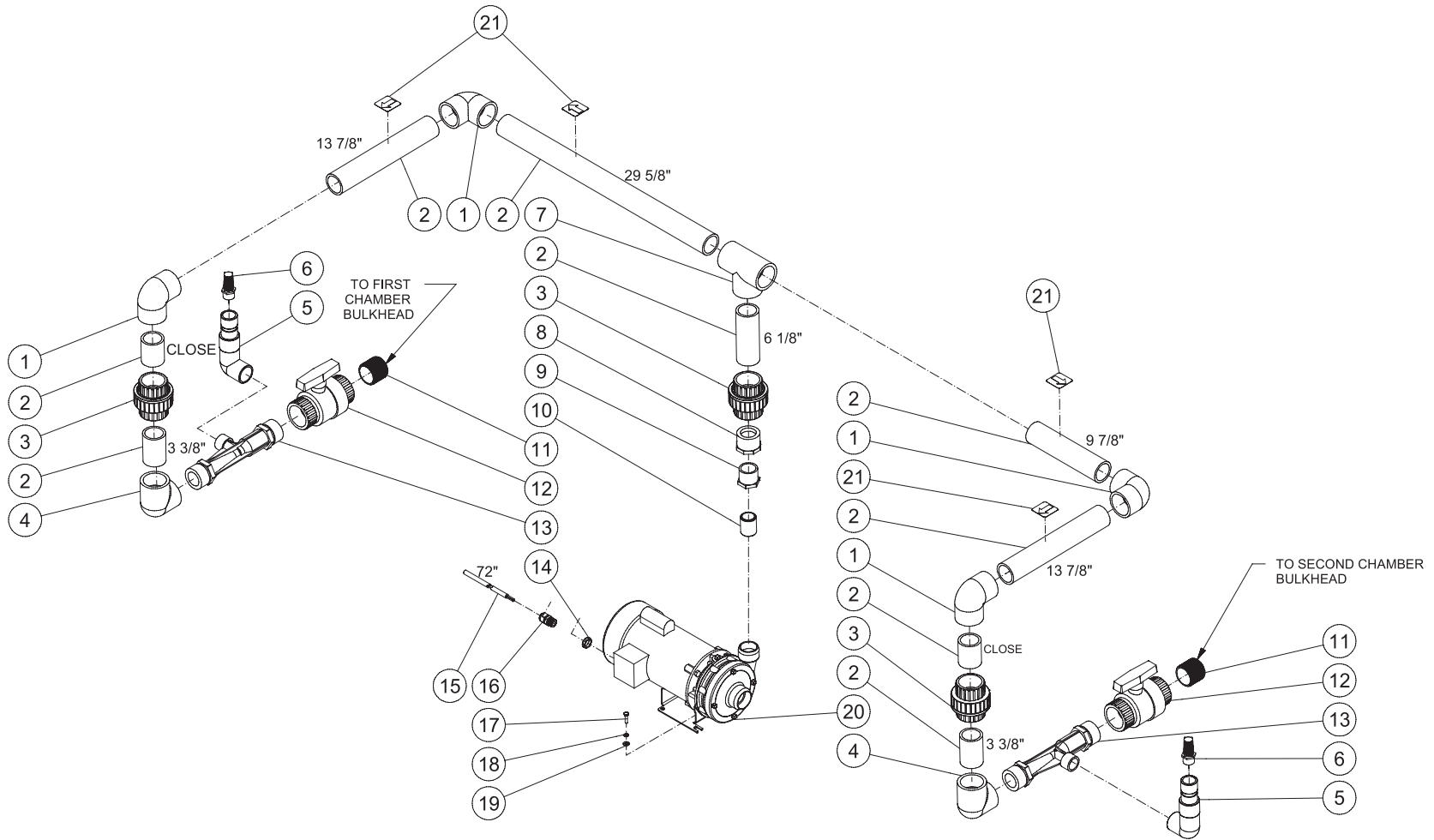
# AERATOR INLET PLUMBING (AFTER SERIAL #30007000)



AERATOR INLET PLUMBING - BIO-20R 033017 MLK

AERATOR INLET PLUMBING BIO-20R 033017 MLK			
AERATOR INLET PLUMBING			
ITEM	DESCRIPTION	PART #	QTY
1	NIPPLE	55-1874	1
2	ELBOW	55-1810	1
3	DECAL	N/A	1
5	BALL VALVE	55-1855	1
4	PIPE 2" *(TWO FEET REQUIRED)	55-1800	1
6	ELBOW	55-1812	2
7	UNION - INCLUDES O-RING (25-0449)	55-1845	1
8	REDUCER	55-1828	1
9	NIPPLE	55-1674	1
*MUST ORDER IN ONE FOOT LENGTHS			

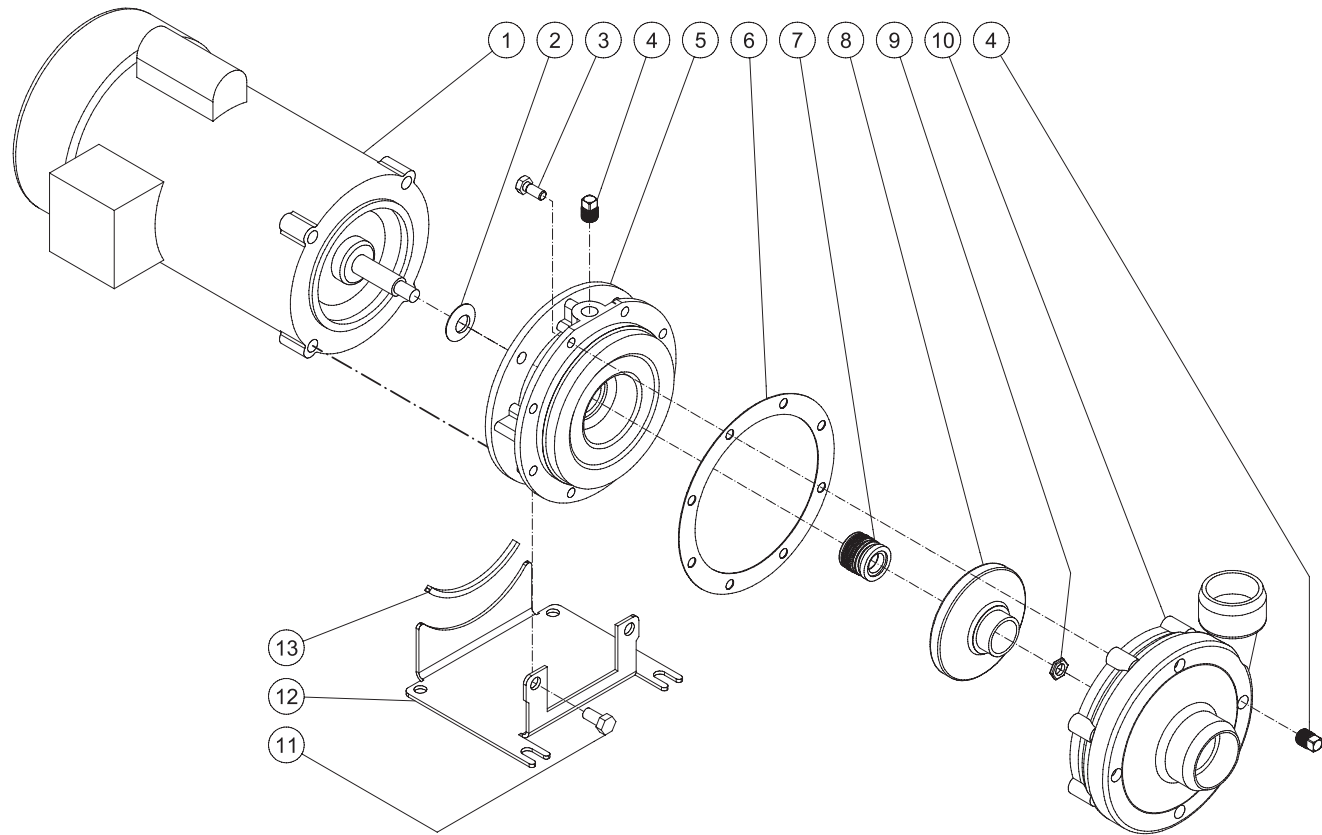
# AERATOR OUTLET PLUMBING (AFTER SERIAL #30007000)



AERATOR OUTLET PLUMBING - BIO-20R 063016 MILK

AERATOR OUTLET PLUMBING - BIO-20R 060316 MLK			
AERATOR OUTLET PLUMBING			
ITEM	DESCRIPTION	Mi-T-M #	QTY
1	ELBOW	55-1809	4
2	*PIPE 2" *(SEVEN FEET REQUIRED)	55-1800	1
3	UNION - INCLUDES O-RING (25-0449)	55-1845	3
4	ELBOW	55-1810	2
5	CHECK VALVE - INCLUDES SCREEN (19-0292)	55-0126	2
6	SCREEN	19-0292	1
7	TEE	55-1801	1
8	REDUCER BUSHING	55-1823	1
9	REDUCER	55-1628	1
10	NIPPLE	55-1474	1
11	NIPPLE	55-1874	2
12	BALL VALVE	55-1854	2
13	INJECTOR	55-0068	2
14	ELECTRICAL LOCKNUT	32-0108	1
15	CORD (SIX FEET REQUIRED) (0M11/1M11)	32-0074	1
-	CORD (SIX FEET REQUIRED) (0M31/1M31)	32-0247	1
16	STRAIN RELIEF	32-0437	1
17	BOLT	27-8962	4
18	LOCKWASHER	29-1006	4
19	WASHER	28-0121	4
20	PUMP 1 PH (0M11/1M11)	3-0397	1
-	PUMP 3 PH (0M31/1M31)	3-0398	1
21	DECAL	N/A	4
*MUST ORDER IN ONE FOOT LENGTHS			

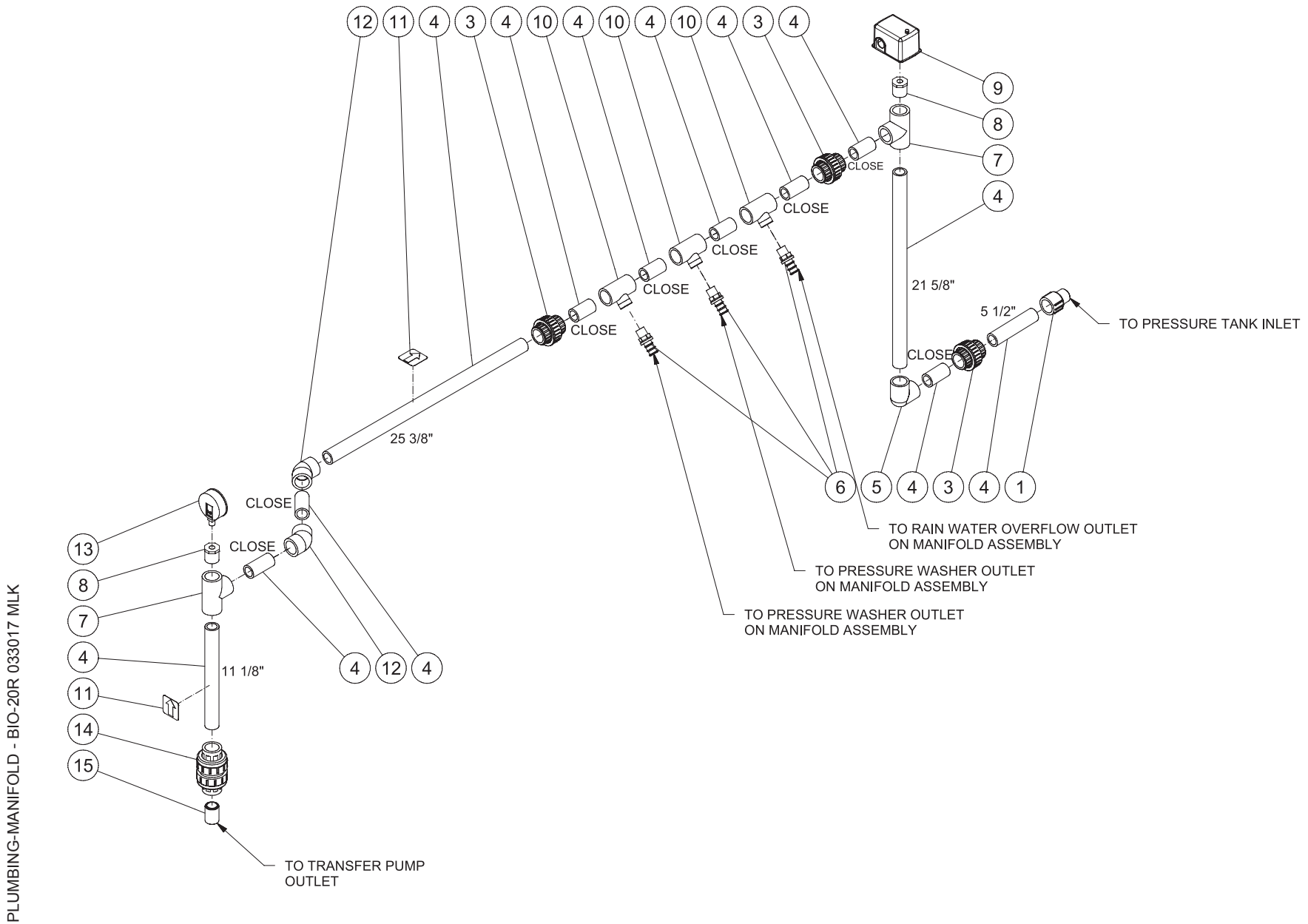
# AERATION PUMP (3-0319 THREE PHASE AND 3-0329 SINGLE PHASE)





AERATION PUMP			
ITEM	DESCRIPTION	Mi-T-M #	QTY
1	MOTOR	N/A	1
2	RUBBER SEAL	N/A	1
3	BOLT	27-0066	8
4	PLUG	24-0009	5
5	FRAME ADAPTOR	N/A	1
6	GASKET	26-0396	1
7	SHAFT SEAL	26-0395	1
8	IMPELLER	46-1564	1
9	LOCKNUT (3 PHASE ONLY)	N/A	1
10	FRONT CASING	N/A	1
11	BOLT	27-0116	4
12	BASE	N/A	1
13	MOTOR PAD	N/A	1

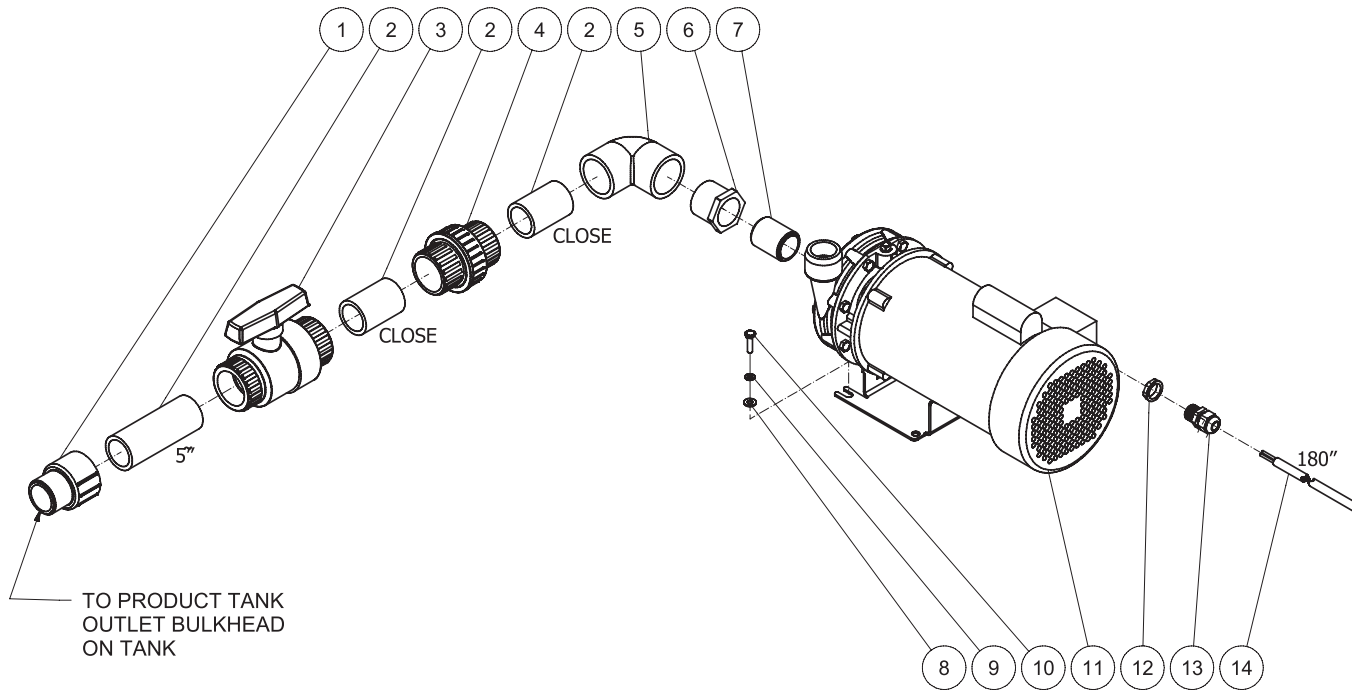
# PLUMBING MANIFOLD (AFTER SERIAL #30007000)



PLUMBING-MANIFOLD - BIO-20R 033017 MLK

PLUMBING MANIFOLD BIO-20R 033017			
PLUMBING MANIFOLD			
ITEM	DESCRIPTION	Mi-T-M #	QTY
1	MALE ADAPTER	55-1222	1
3	UNION - INCLUDES O-RING (25-0447)	55-1245	3
4	*PIPE 1" *(SEVEN FEET REQUIRED)	55-1200	1
5	ELBOW	55-1209	1
6	BARB	23-0007	3
7	TEE	55-1201	2
8	REDUCER	55-1231	2
9	PRESSURE SWITCH	22-0304	1
10	TEE	55-1208	3
11	DECAL	34-0883	2
12	ELBOW	55-1212	2
13	PRESSURE GAUGE	22-0305	1
14	BALL CHECK VALVE	55-1253	1
15	NIPPLE	23-0094	1
*MUST ORDER IN ONE FOOT LENGTHS			

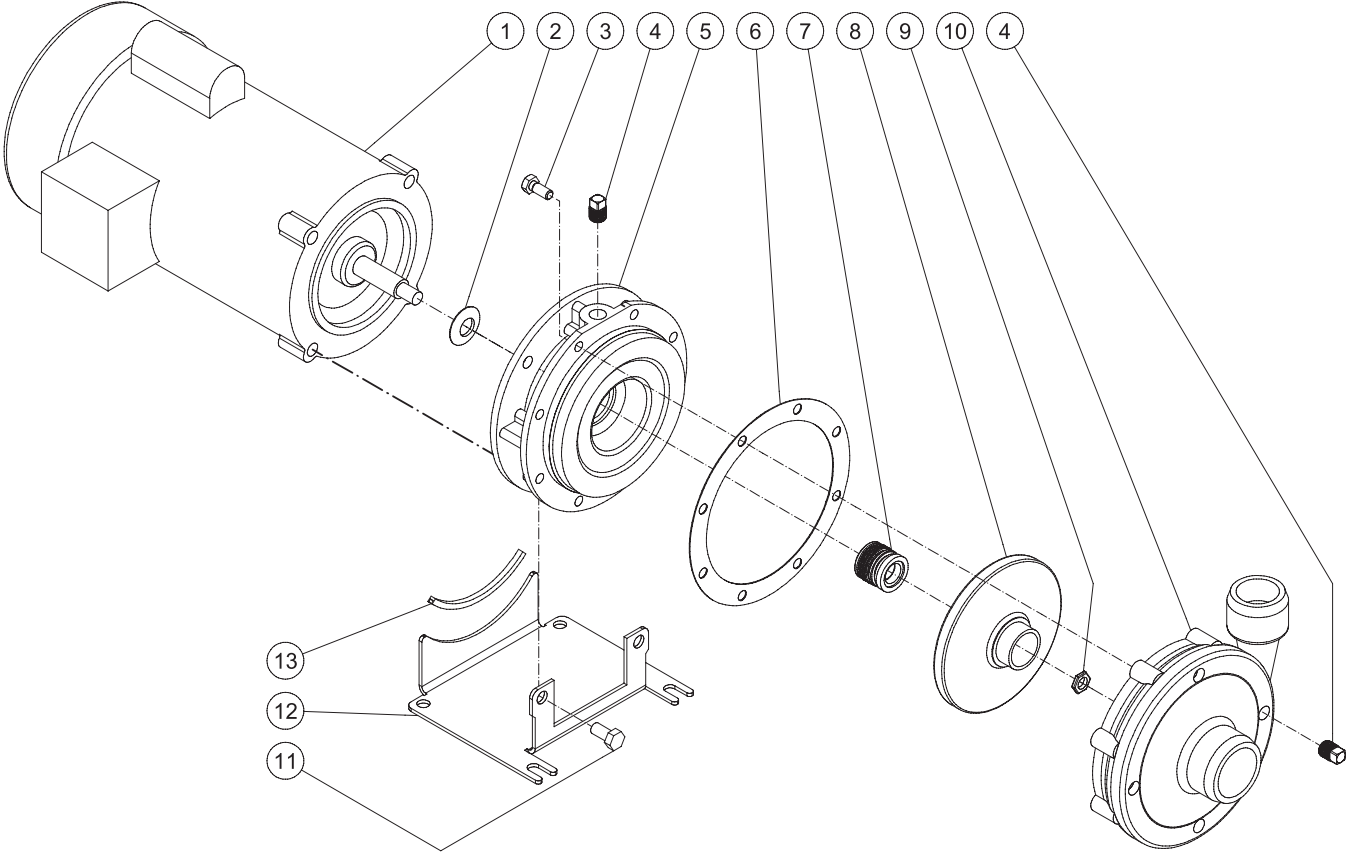
# TRANSFER PUMP ASSEMBLY (AFTER SERIAL #30007000)



TRANSFER PUMP ASSEMBLY - BIO-25R 102116 MLK

TRANSFER PUMP ASSEMBLY - BIO-25R 102116 MLK			
TRANSFER PUMP ASSEMBLY			
ITEM	DESCRIPTION	PART #	QTY
1	ADAPTER	55-1622	1
3	BALL VALVE	55-1655	1
2	*PIPE 1 1/2" *(ONE FOOT REQUIRED)	55-1600	1
4	UNION	55-1645	1
5	ELBOW	55-1609	1
6	REDUCER	55-1628	1
7	NIPPLE	55-1474	1
8	WASHER	28-0121	4
9	LOCKWASHER	29-1006	4
10	BOLT	27-8962	4
11	PUMP (0M10/1M10)	3-0401	1
-	PUMP (0M30/1M30)	3-0402	1
12	ELECTRICAL LOCKNUT	32-0108	1
13	STRAIN RELIEF	32-0437	1
14	CORD (FIFTEEN FEET REQUIRED) (0M10/1M10)	32-0074	1
-	CORD 3 PHASE (FIFTEEN FEET REQUIRED) (0M30/1M30)	32-0247	1
-	1/8" AL. SHIM FOR PUMPS (NOT SHOWN)	56-0077	1
*MUST ORDER IN ONE FOOT LENGTHS			

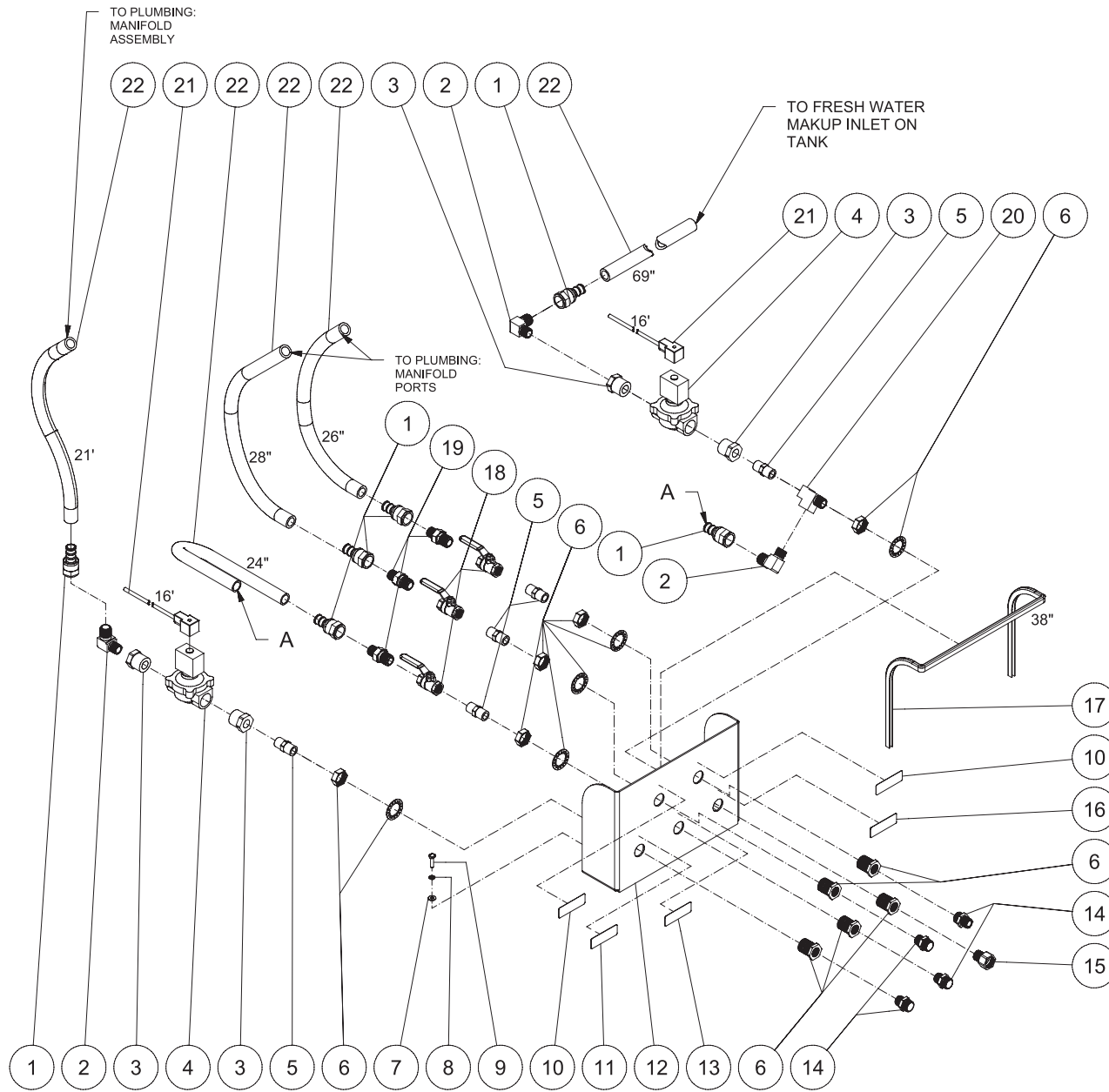
**TRANSFER PUMP (3-0401 SINGLE PHASE AND 3-0402 THREE PHASE)**



3-0401 071514 MLK

3-0401 071514 MLK			
TRANSFER PUMP			
ITEM	DESCRIPTION	Mi-T-M #	QTY
1	MOTOR	N/A	1
2	RUBBER SEAL	N/A	1
3	BOLT	27-0066	8
4	PLUG	24-0009	5
5	FRAME ADAPTOR	N/A	1
6	GASKET	26-0396	1
7	SHAFT SEAL	26-0395	1
8	IMPELLER	46-1588	1
9	LOCKNUT (3 PHASE ONLY)	N/A	1
10	FRONT CASING	N/A	1
11	BOLT	27-0116	4
12	BASE	N/A	1
13	MOTOR PAD	N/A	1

# MANIFOLD ASSEMBLY (AFTER SERIAL #30007000)



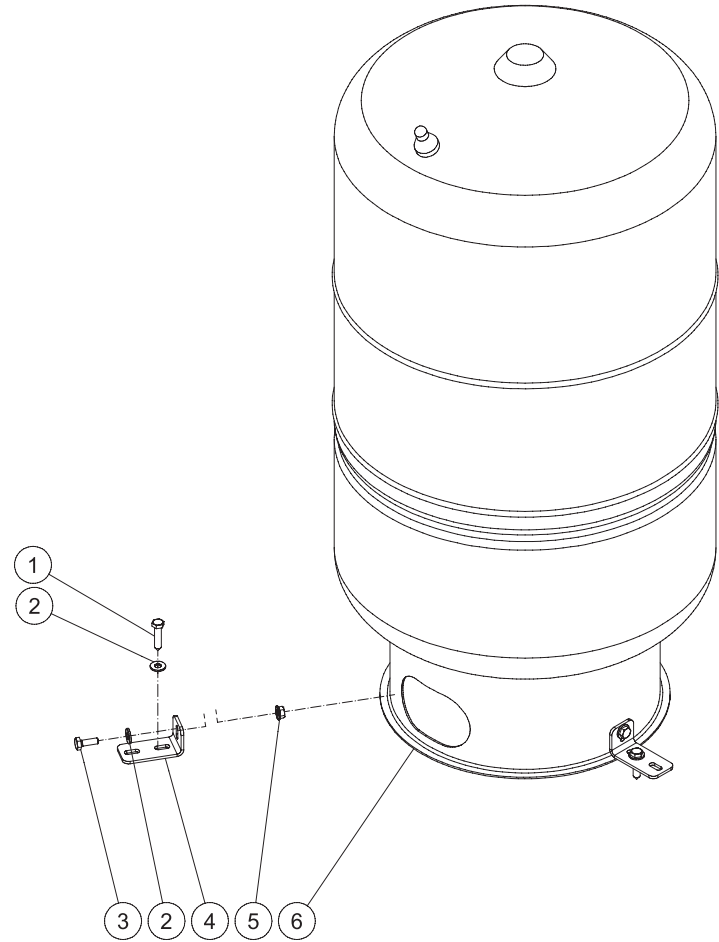
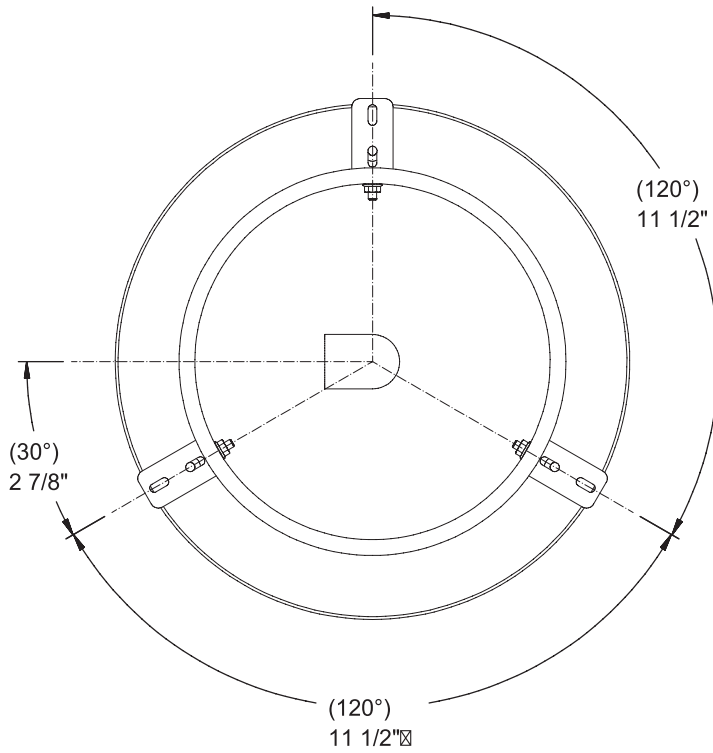
MANIFOLD ASSEMBLY - BIO-20R 033017 MLK



## MANIFOLD ASSEMBLY BIO-20R 033017 MLK

MANIFOLD ASSEMBLY			
ITEM	DESCRIPTION	PART #	QTY
1	HOSE BARB	23-0358	6
2	ELBOW	23-0363	3
3	REDUCER	23-0226	4
4	SOLENOID-NC	22-0442	2
5	NIPPLE	23-0012	5
6	ADAPTER	23-0365	5
7	WASHER	28-0121	4
8	LOCKWASHER	29-1006	4
9	BOLT	27-8962	4
10	DECAL - PRESSURE WASHER OUTLET (SEE 71-0104)	N/A	2
11	DECAL - RAIN WATER OVERFLOW (SEE 71-0104)	N/A	1
12	MANIFOLD BRACKET	21-0230	1
13	DECAL - RINSE WATER OUTLET (SEE 71-0104)	N/A	1
14	ADAPTER	23-0136	4
15	SWIVEL	23-0095	1
16	DECAL - FRESH WATER INLET (SEE 71-0104)	N/A	1
17	EDGING *(FOUR FEET REQUIRED)	33-0020	1
18	BALL VALVE	22-0278	3
19	NIPPLE	23-0359	3
20	TEE	23-0124	1
21	CORDSET	32-0786	2
22	HOSE *(FOURTEEN FEET REQUIRED)	15-0033	1
-	DECAL SET	71-0104	1
*MUST ORDER IN ONE FOOT LENGTHS			

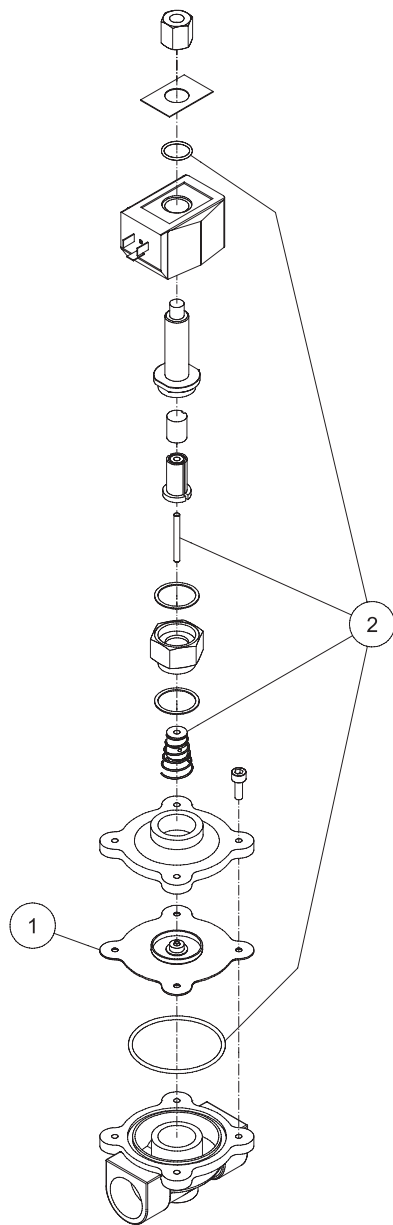
# PRESSURE TANK ASSEMBLY (AFTER SERIAL #30007000)



PRESSURE TANK ASSEMBLY - BIO-20R 032417 MLK

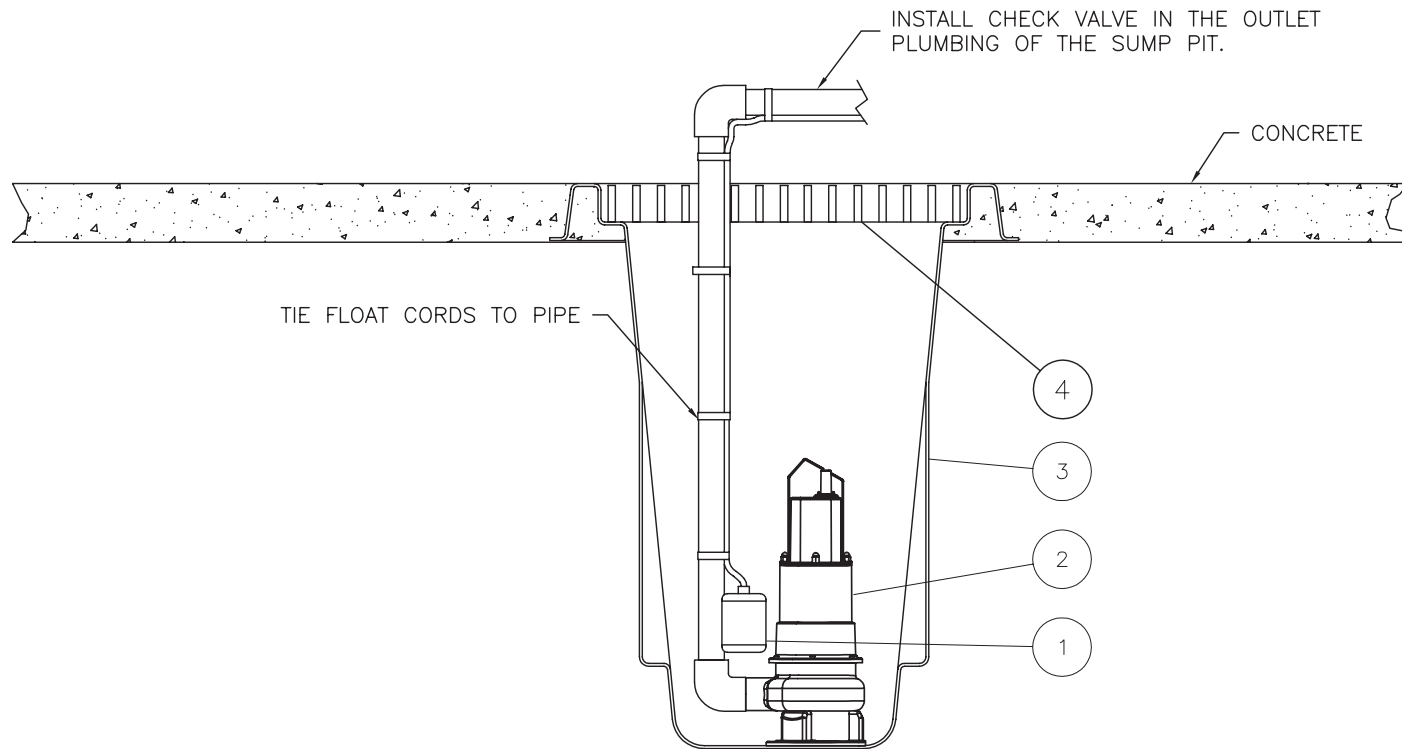
PRESSURE TANK ASSEMBLY BIO 20R 032417 MLK			
PRESSURE TANK ASSEMBLY			
ITEM	DESCRIPTION	PART #	QTY
1	BOLT	27-5277	3
2	WASHER	28-0121	6
3	BOLT	27-5016	3
4	HOLD DOWN BRACKET	21-0317	3
5	NUT	30-5202	3
6	PRESSURE TANK	12-0081	1

# SOLENOID VALVE (22-0442)



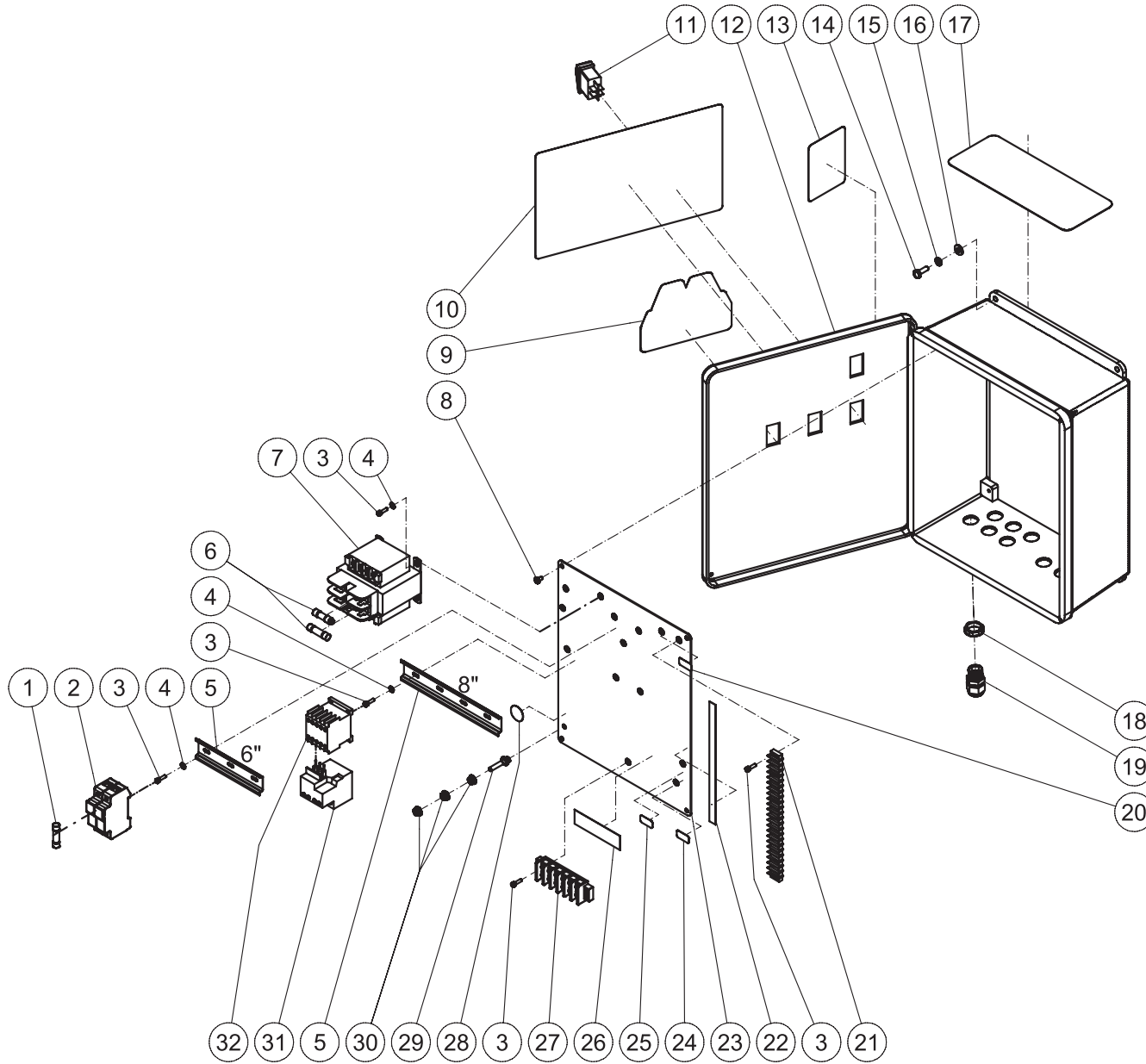
22-0442 041910-PJH			
SOLENOID			
ITEM	DESCRIPTION	PART #	QTY
1	KIT - REPLACEMENT DIAPHRAGM	70-0492	1
2	KIT - REPLACEMENT O-RINGS, SPRING, & PLUNGER	70-0493	1

# SUMP PIT ASSEMBLY



SUMP PIT ASSY-010509-PJH			
SUMP PIT ASSEMBLY			
REF. #	DESCRIPTION	PART#	QTY.
1	Float	32-0528	1
2	Pump (Single Phase 230V)	3-0216	1
-	Pump (Three Phase 208-230V)	3-0325	1
-	Pump (Three Phase 460V)	3-0326	1
3	Pit	12-0071	1
4	Medium Grate	20-0480A01	1

# CONTROL PANEL (0M11/1M11) (AFTER SERIAL #30007000)

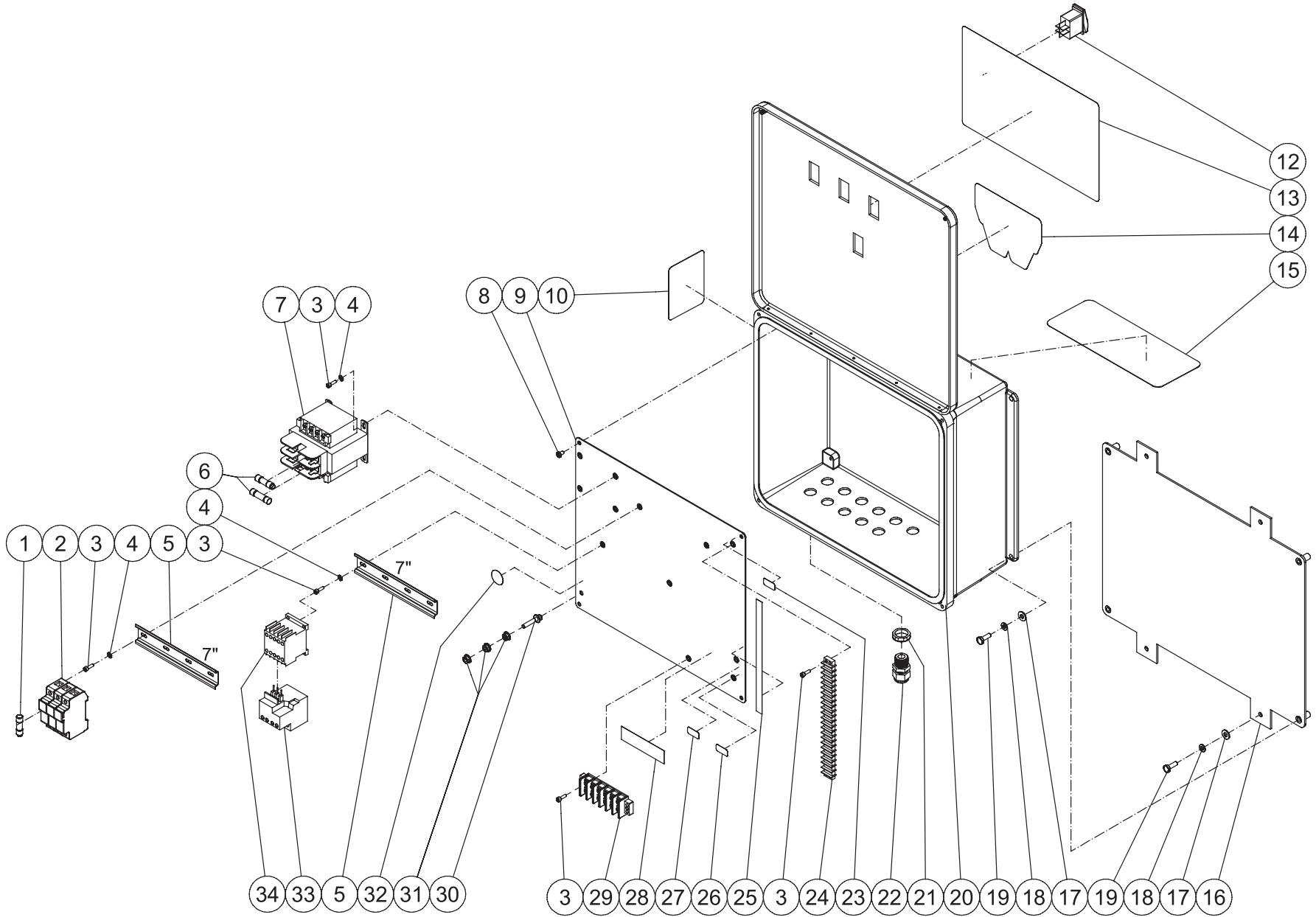


CONTROL PANEL - BIO-20R, 25R, 35R SINGLE PHASE MASTER 032817 MLK



CONTROL PANEL BIO-20R SINGLE PHASE 032817 MLK			
CONTROL PANEL (SINGLE PHASE)			
ITEM	DESCRIPTION	PART #	QTY
1	FUSE (AERATION, TRANSFER)	32-1016	2
-	FUSE (SUMP)	32-1014	2
-	FUSE (OZONE)	32-1015	2
2	FUSE HOLDER	32-1006	3
3	SCREW	27-8835	10
4	STAR WASHER	28-1009	6
5	DIN RAIL *(TWO FEET REQUIRED)	32-0316	1
6	FUSE (PRIMARY)	32-0740	2
-	FUSE (SECONDARY)	32-1028	1
7	TRANSFORMER	32-0735	1
8	SCREW	27-8933	4
9	DECAL - Mi-T-M	34-2169	1
10	DECAL - BIO ELECTRIC BOX (SEE 71-0104)	N/A	1
11	ROCKER SWITCH	32-0669	4
12	ELECTRIC BOX	32-1030	1
13	DECAL - DATA PLATE	N/A	1
14	BOLT	27-5016	4
15	LOCKWASHER	29-1006	4
16	WASHER	28-0121	4
17	DECAL - OPERATION (SEE 71-0104)	N/A	1
18	ELECTRICAL LOCKNUT	32-0108	11
19	STRAIN RELIEF	32-0437	11
20	DECAL - 115 VOLT (SEE 71-0104)	N/A	1
21	TERMINAL STRIP	32-0463	1
22	DECAL - TERMINAL STRIP (SEE 71-0104)	N/A	1
23	ELECTRICAL PLATE	20-0520A06	1
24	DECAL - 1 PHASE (SEE 71-0104)	N/A	1
25	DECAL - 230 VOLT (SEE 71-0104)	N/A	1
26	DECAL - TERMINAL STRIP (SEE 71-0104)	N/A	1
27	TERMINAL BLOCK	32-0536	1
28	DECAL- GROUND PICTORIAL (SEE 71-0104)	N/A	1
29	BOLT	27-8898	1
30	NUT	30-3022	3
31	OVERLOAD (AERATION, TRANSFER)	32-1016	1
-	OVERLOAD (SUMP)	32-1014	1
-	OVERLOAD (OZONE)	32-1015	1
32	CONTACTOR	32-1009	3
-	DECAL SET	71-0104	1
*MUST ORDER IN ONE FOOT LENGTHS			

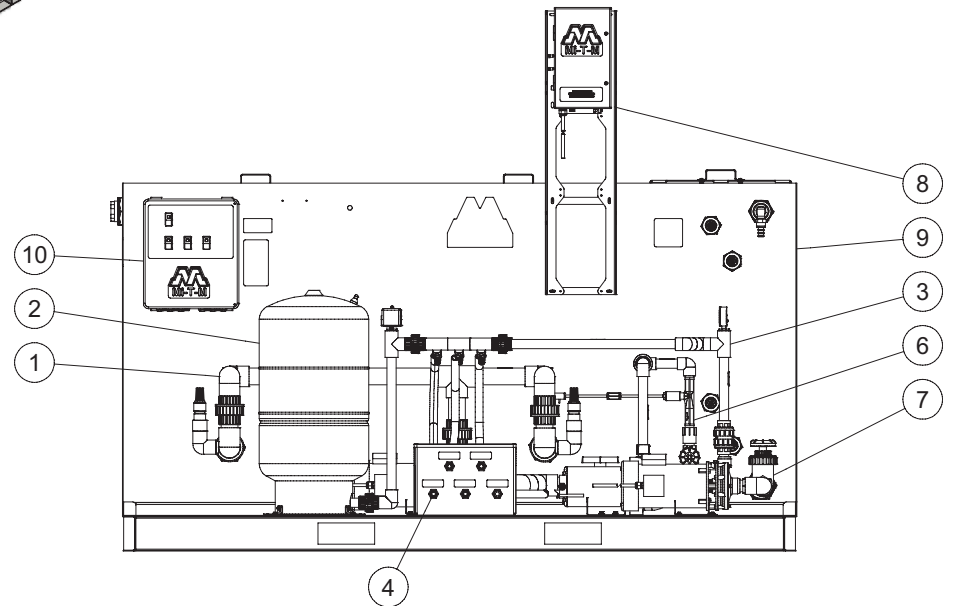
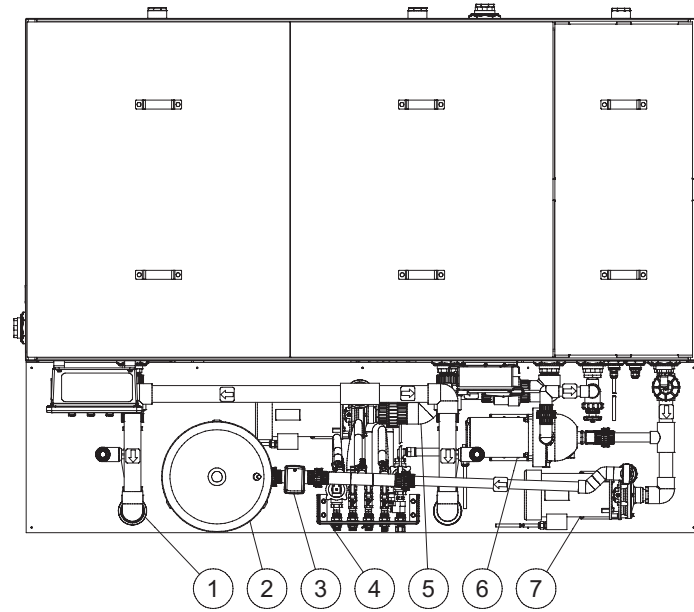
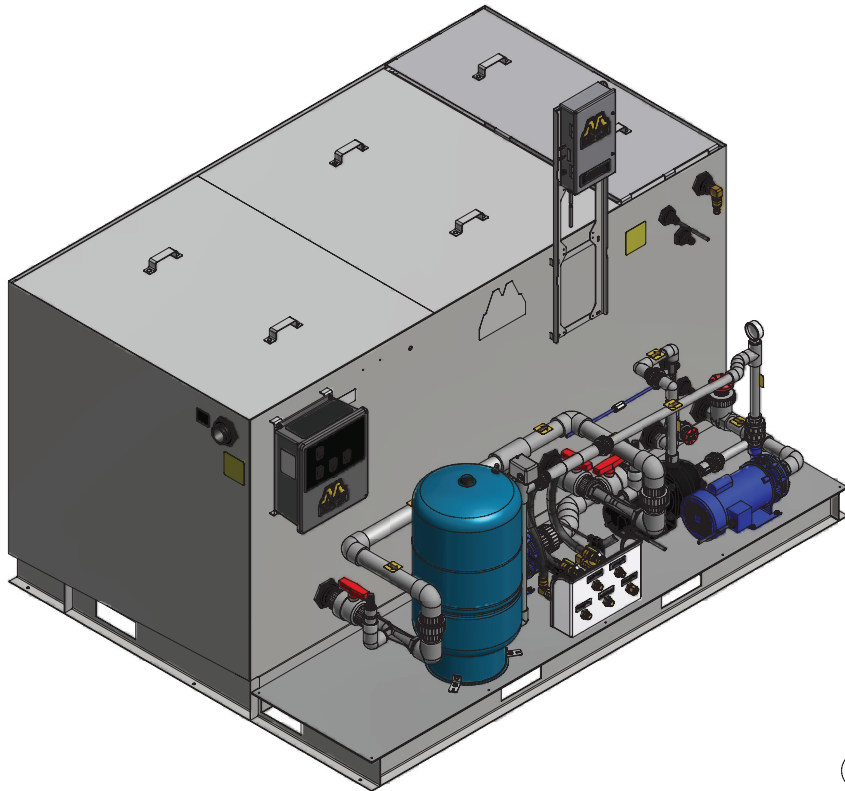
# CONTROL PANEL (0M31/1M31) (AFTER SERIAL #30007000)



CONTROL PANEL - BIO-20R, 25R, 35R THREE PHASE MASTER 032817 MLK

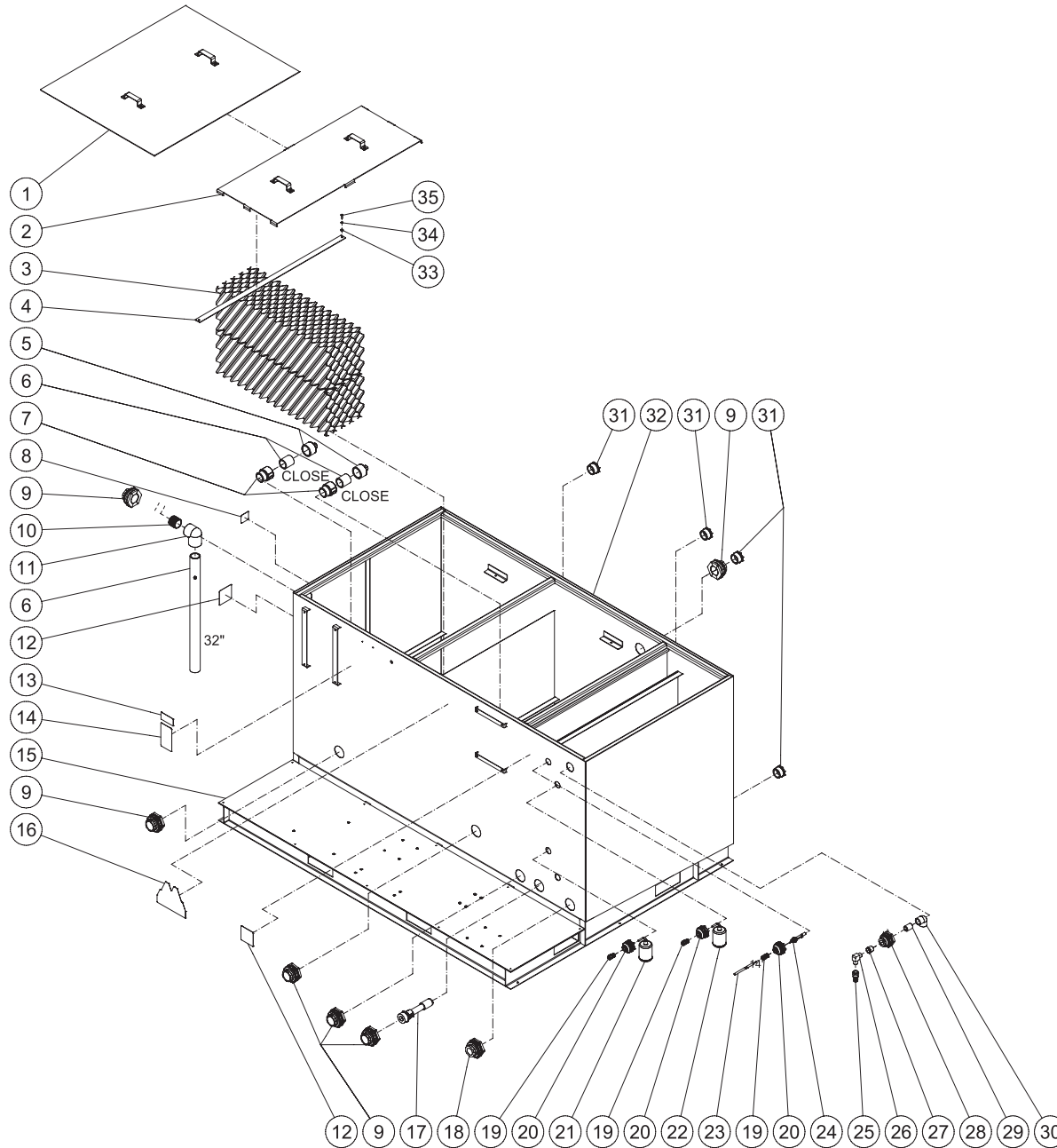
CONTROL PANEL ASSEMBLY BIO-20R THREE PHASE 032817 MLK			
CONTROL PANEL (THREE PHASE)			
ITEM	DESCRIPTION	Mi-T-M #	QTY
1	FUSE (3Ø 208V, 230V) (TRANSFER, AERATION)	32-1025	3
-	FUSE (3Ø 208V, 230V) (SUMP)	32-1024	3
-	FUSE (3Ø 208V, 230V) (OZONE); (3Ø 460V) (TRANSFER, AERATION)	32-0470	3
	FUSE (3Ø 460V) (SUMP, OZONE)	32-0471	3
2	FUSE HOLDER	32-1007	3
3	SCREW	27-8835	12
4	STAR WASHER	28-1009	8
5	DIN RAIL *(TWO FEET REQUIRED)	32-0316	1
6	FUSE (3Ø 208V, 230V) (PRIMARY)	32-0740	2
-	FUSE (3Ø 208V, 230V, 460V) (SECONDARY)	32-1028	1
-	FUSE (3Ø 460V) (PRIMARY)	32-0467	2
7	TRANSFORMER	32-0735	1
8	SCREW	27-8933	4
9	ELECTRICAL PLATE	20-1065A06	1
10	DECAL - DATA PLATE	N/A	1
12	ROCKER SWITCH	32-0669	4
13	DECAL - BIO ELECTRIC BOX (SEE 71-0104)	N/A	1
14	DECAL - Mi-T-M	34-2169	1
15	DECAL - OPERATION (SEE 71-0104)	N/A	1
16	MOUNTING PLATE	20-1126A01	1
17	WASHER	28-0121	8
18	LOCKWASHER	29-1006	8
19	BOLT	27-5016	8
20	ELECTRIC BOX	32-1031	1
21	ELECTRICAL LOCKNUT	32-0108	11
22	STRAIN RELIEF	32-0437	11
23	DECAL - 115 VOLT (SEE 71-0104)	N/A	1
24	TERMINAL STRIP	32-0463	1
25	DECAL - TERMINAL STRIP (SEE 71-0104)	N/A	1
26	DECAL - 3 PHASE (SEE 71-0104)	N/A	1
27	DECAL - 230 VOLT (SEE 71-0104)	N/A	1
28	DECAL - TERMINAL STRIP (SEE 71-0104)	N/A	1
29	TERMINAL BLOCK	32-0536	1
30	BOLT	27-8898	1
31	NUT	30-3022	3
32	DECAL- GROUND PICTORIAL (SEE 71-0104)	N/A	1
33	OVERLOAD (3Ø 208V, 230V) (TRANSFER, AERATION)	32-1015	1
-	OVERLOAD (3Ø 208V, 230V) ( SUMP)	32-1013	1
-	OVERLOAD (3Ø 208V, 230V) (OZONE); (3Ø 460V) (TRANSFER, AERATION)	32-1012	1
	OVERLOAD (3Ø 460V) (SUMP, OZONE)	32-1010	1
34	CONTACTOR	32-1009	3
-	DECAL SET	71-0104	1
*MUST ORDER IN ONE FOOT LENGTHS			

# MAIN ASSEMBLY (WITH OZONE) (AFTER SERIAL #30007000)



BIO-20R - MAIN ASSEMBLY - OZONE 032917 MLK			
MAIN ASSEMBLY - OZONE			
ITEM	DESCRIPTION	Mi-T-M #	QTY
1	AERATOR OUTLET PLUMBING	N/A SEP.	1
2	PRESSURE TANK ASSEMBLY	N/A SEP.	1
3	PLUMBING: MANIFOLD	N/A SEP.	1
4	MANIFOLD ASSEMBLY	N/A SEP.	1
5	AERATOR INLET PLUMBING - OZONE	N/A SEP.	1
6	OZONE PLUMBING - BIO-20R	N/A SEP.	1
7	TRANSFER PUMP ASSEMBLY - OZONE	N/A SEP.	1
8	OZONE GENERATOR MOUNTING DETAIL	N/A SEP.	1
9	TANK ASSEMBLY - OZONE	N/A SEP.	1
10	CONTROL PANEL ASSEMBLY	N/A SEP.	1

# TANK ASSEMBLY (WITH OZONE) (AFTER SERIAL #30007000)

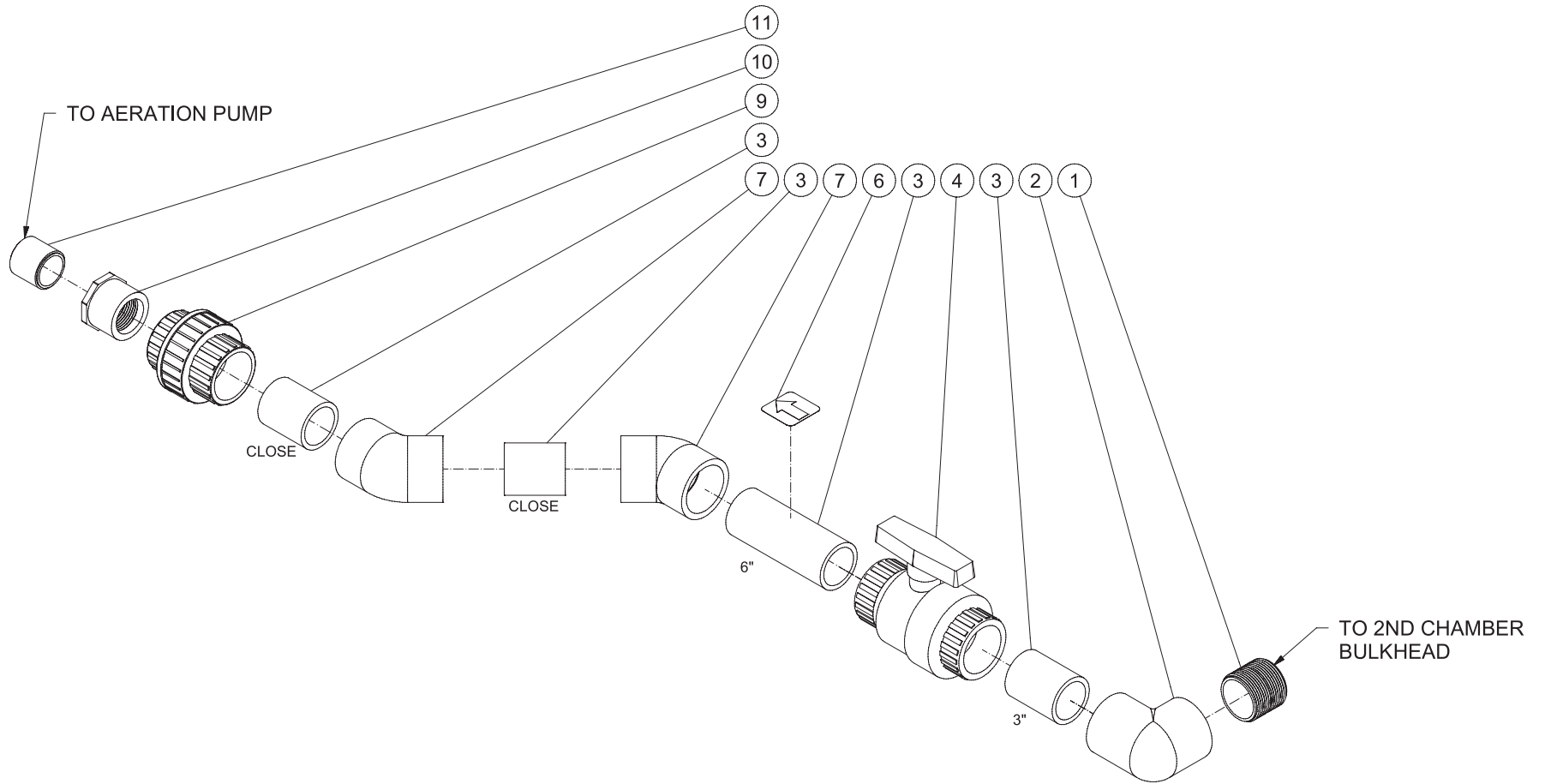


TANK ASSEMBLY - BIO-20R - OZONE 032917 MLK

TANK ASSEMBLY - OZONE			
ITEM	DESCRIPTION	Mi-T-M #	QTY
1	LARGE LID BIO (DS) (RS)	N/A SEP.	2
2	SMALL LID - BIO-20R - OZONE	N/A SEP.	1
3	MEDIA (STANDARD)	33-0337	16
-	MEDIA (VERTICAL FLOW) (WX-0120)	33-0543	16
4	STRAP - SS (1M11/1M31)	12-013515	2
-	STRAP - ALUM. (0M11/0M31)	56-0042	2
5	REDUCER	55-1894	2
6	*PIPE 2" *(FOUR FEET REQUIRED)	55-1800	1
7	ADAPTER	55-1822	2
8	DECAL - INLET (SEE 71-0104)	N/A	1
9	BULKHEAD (INC. 25-0481 GASKET) (1M11/1M31)	55-1886	6
-	BULKHEAD (INC. 25-0481 O-RING) (0M11/0M31)	55-1886	5
10	NIPPLE	55-1874	1
11	ELBOW	55-1810	1
12	DECAL - NONPOTABLE WATER (SEE 71-0104)	N/A	2
13	DECAL- SILVER STICKER	N/A	1
14	DECAL - RISK OF ELECTROCUTION (SEE 71-0104)	N/A	1
15	DECK PLATE	12-023915	1
16	DECAL - #5M	34-2171	1
17	OZONE INJECTOR PLUMBING - BIO	N/A SEP.	1
18	BULKHEAD (INC. 25-0481 GASKET)	55-1686	1
19	STRAIN RELIEF	32-0437	4
20	BULKHEAD	55-0886	4
21	FLOAT	32-0664	1
22	FLOAT	32-0663	2
23	CORD *(FOURTEEN FEET REQUIRED)	32-0075	1
24	SWITCH	32-0533	1
25	HOSE BARB	23-0358	1
26	ELBOW	23-0364	1
27	REDUCER BUSHING	55-1233	1
28	BULKHEAD (INC. 25-0482 GASKET)	55-1286	1
29	NIPPLE	55-1274	1
30	ELBOW	55-1210	1
31	PLUG (1M11/1M31)	55-1840	4
-	PLUG (0M11/0M31)	55-1840	3
32	BIO TANK - SS (1M11/1M31)	12-9240	1
-	BIO TANK - ALUM. (0M11/0M31)	12-0239	1
33	WASHER (1M11/1M31)	28-0121	4
-	WASHER (0M11/0M31)	28-0122	4
34	LOCKWASHER (1M11/1M31)	29-1006	4
-	LOCKWASHER (0M11/0M31)	29-1007	1
35	BOLT (1M11/1M31)	27-5016	4
-	BOLT (0M11/0M31)	27-5066	1
-	DECAL SET	71-0104	1
-	RIVET - GRAY ALUMINUM 3/16" (NOT SHOWN) (1M11/1M31)	53-0004	10

\*MUST ORDER IN ONE FOOT LENGTHS

## AERATOR INLET PLUMBING (WITH OZONE) (AFTER SERIAL #30007000)

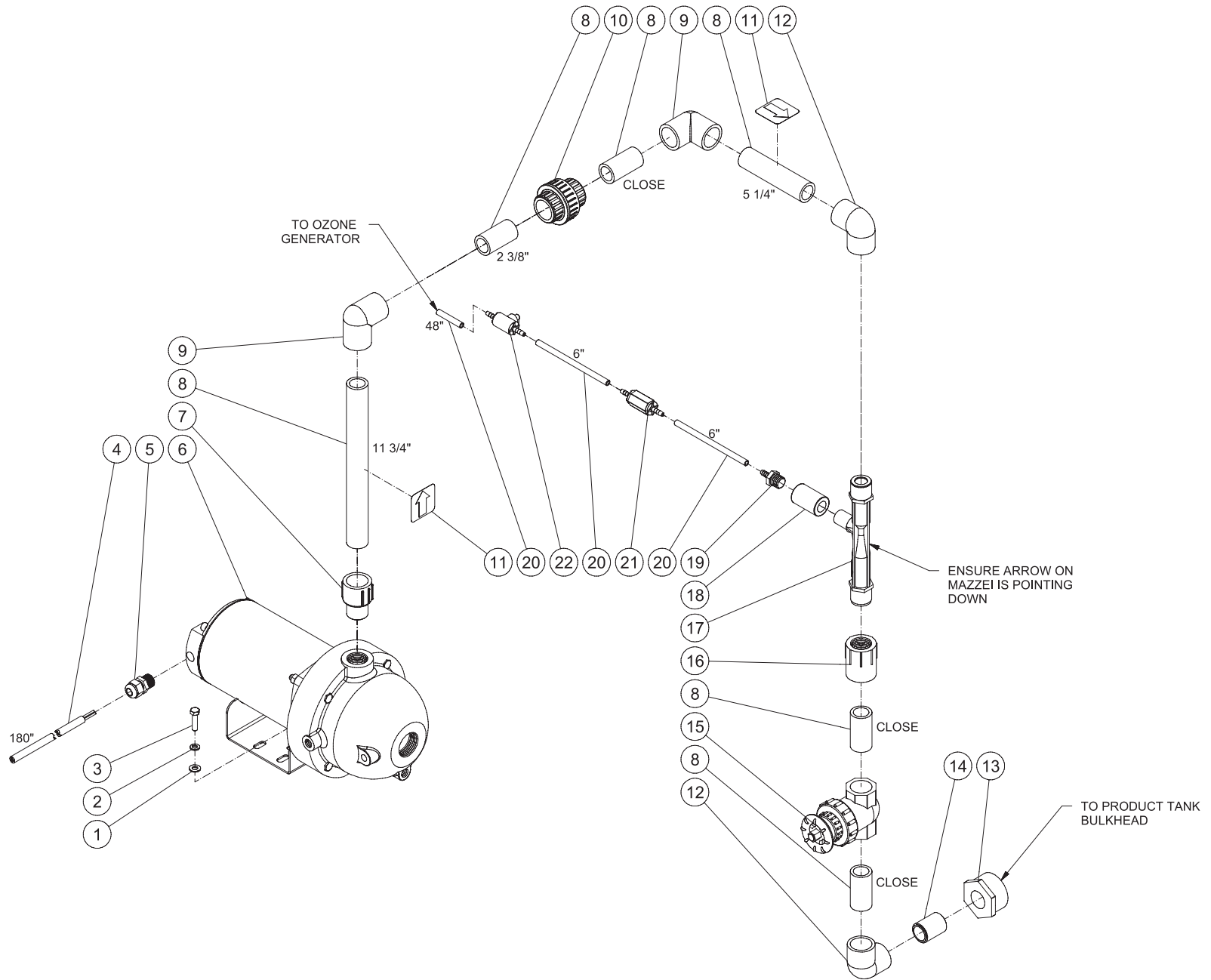


AERATOR INLET PLUMBING - BIO-20R - OZONE 032917 MLK



AERATOR INLET PLUMBING BIO-20R OZONE 032917			
AERATOR INLET PLUMBING			
ITEM	DESCRIPTION	PART #	QTY
1	NIPPLE	55-1874	1
2	ELBOW	55-1810	1
3	*PIPE 2" *( TWO FEET REQUIRED)	55-1800	1
4	BALL VALVE	55-1855	1
6	DECAL	N/A	1
7	ELBOW	55-1812	2
9	UNION - INCLUDES O-RING (25-0449)	55-1845	1
10	REDUCER	55-1828	1
11	NIPPLE	55-1674	1

# OZONE PLUMBING (WITH OZONE) (AFTER SERIAL #30007000)

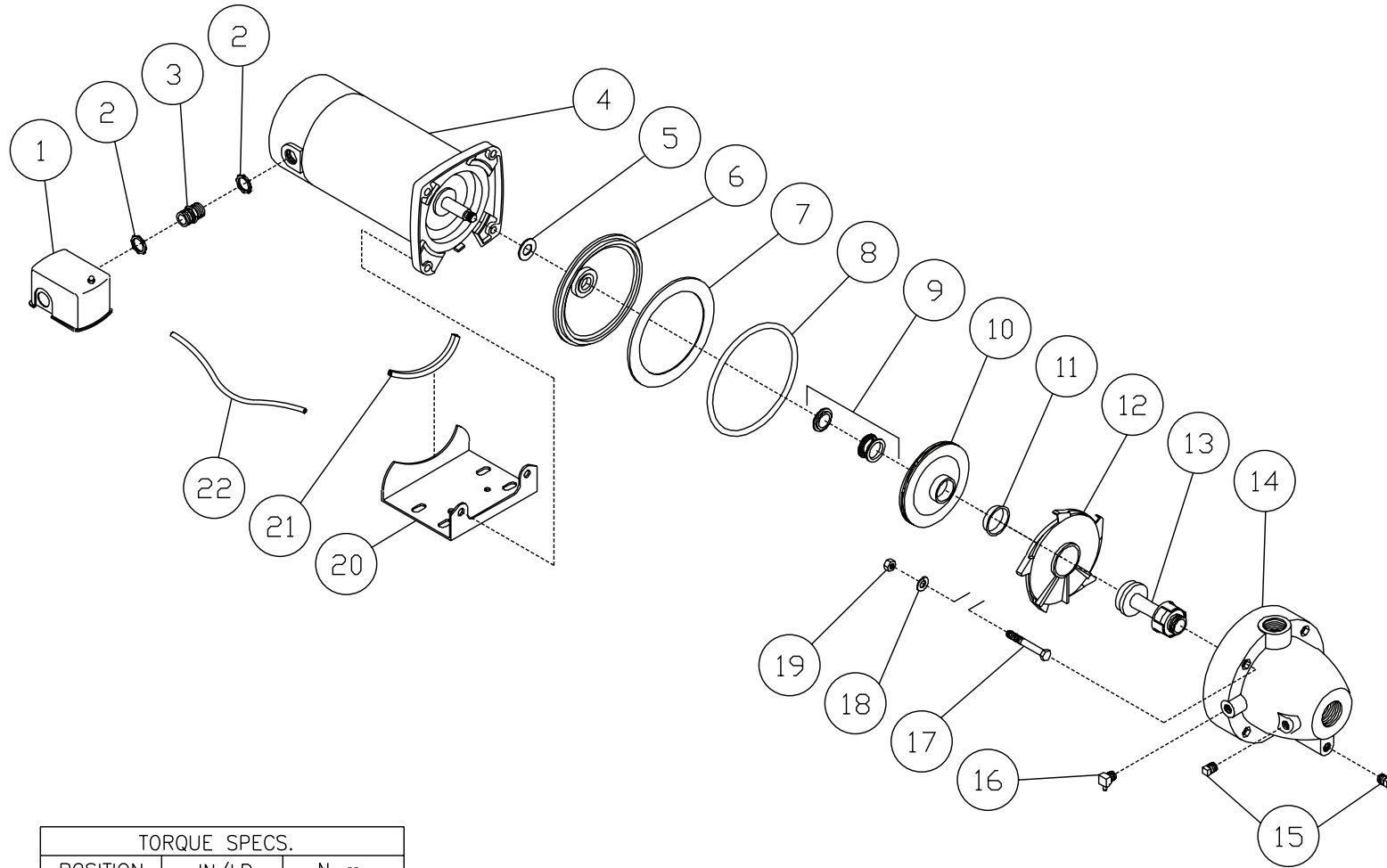


OZONE PLUMBING - BIO-20R 033017 MLK

## OZONE PLUMBING

ITEM	DESCRIPTION	PART #	QTY
1	WASHER	28-0122	4
2	LOCKWASHER	29-1007	4
3	BOLT	27-8963	4
4	CORD *(FIFTEEN FEET REQUIRED) (0M11/1M11)	32-0074	1
-	CORD *(FIFTEEN FEET REQUIRED) (0M31/1M31)	32-0247	1
5	STRAIN RELIEF	32-0437	1
6	PUMP (0M11/1M11)	3-0186	1
-	PUMP (1M31/1M31)	3-0322	1
7	MALE ADAPTER	55-1222	1
8	*PIPE 1" *(THREE FEET REQUIRED)	55-1200	1
9	ELBOW	55-1209	2
10	UNION - INCLUDES O-RING (25-0447)	55-1245	1
11	DECAL	N/A	2
12	ELBOW	55-1210	2
13	REDUCER	55-1835	1
14	NIPPLE	55-1274	1
15	GATE VALVE	55-1271	1
16	ADAPTER	55-1221	1
17	MAZZEI	55-0015	1
18	COUPLER	55-0815	1
19	HOSE BARB	55-0023	1
20	HOSE *(FIVE FEET REQUIRED)	15-0226	1
21	CHECK VALVE	22-0286	1
22	VALVE	22-0074	1
*MUST ORDER IN ONE FOOT LENGTHS			

# OZONE PUMP (3-0186) (SINGLE PHASE)



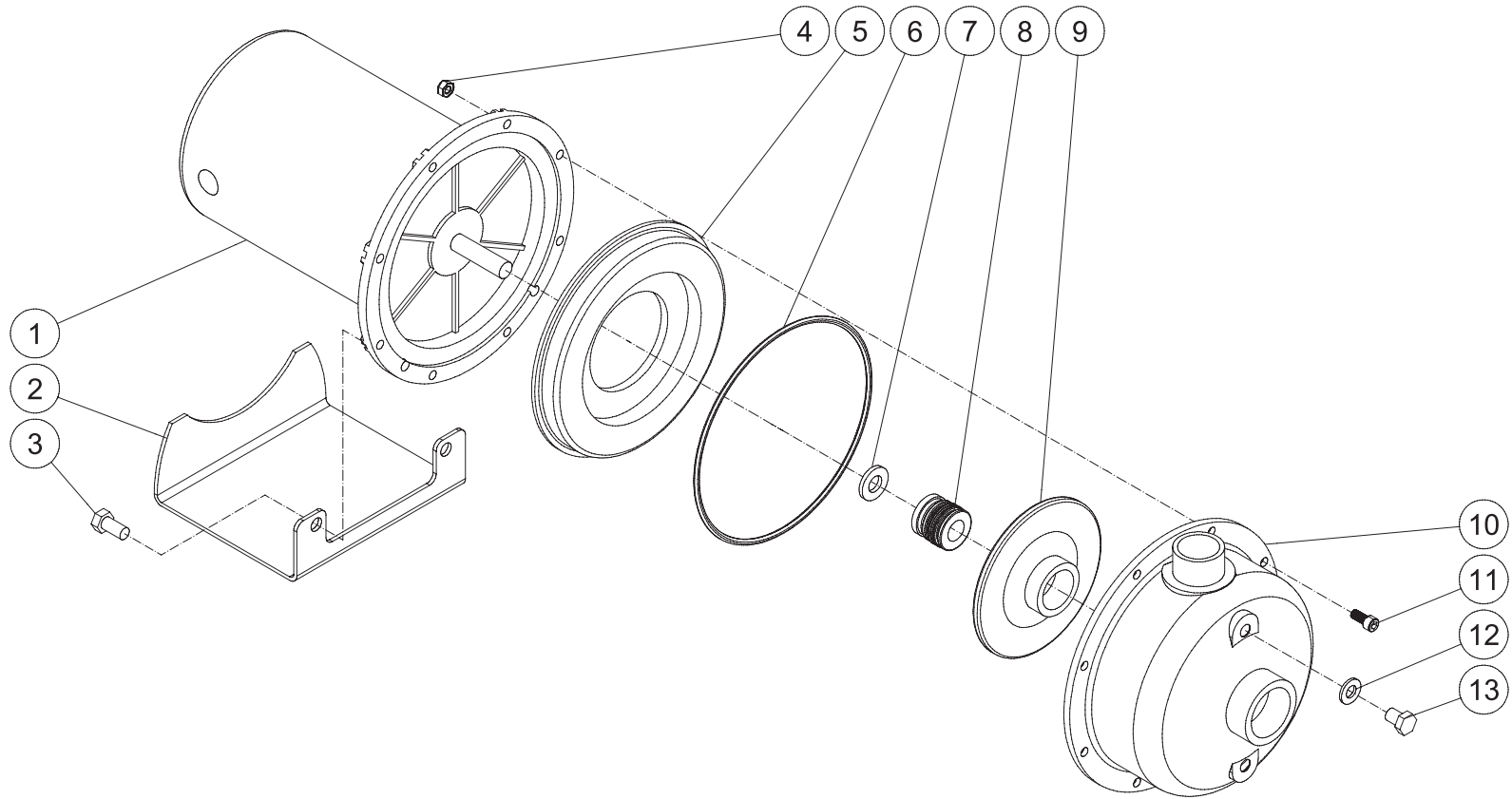
TORQUE SPECS.		
POSITION	IN/LB	N·m
19	150-160	16.9-18.0

3-0186 040600 JJ

## OZONE PUMP (3-0186)

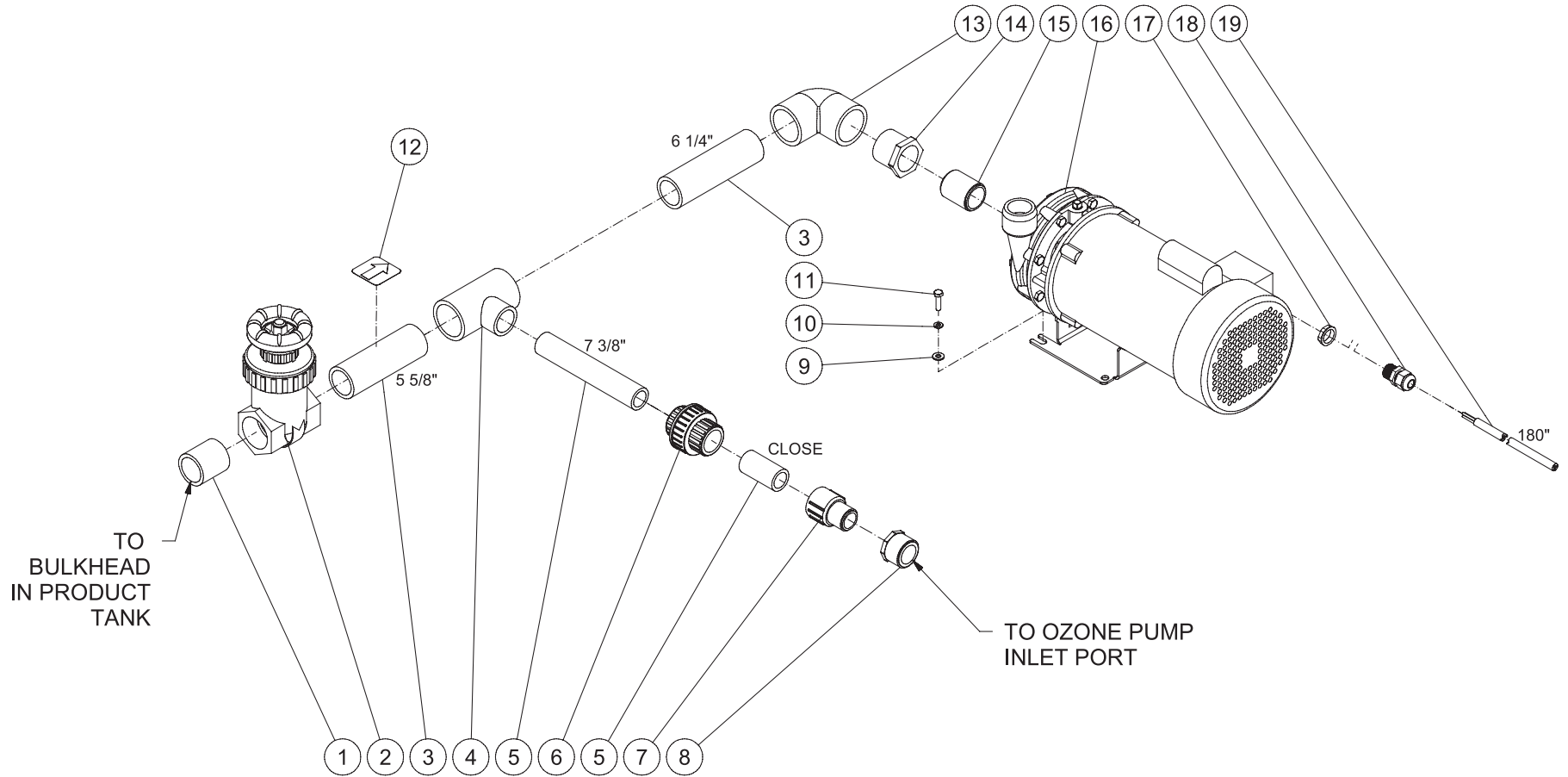
REF. #	DESCRIPTION	PART#	QTY.	REF. #	DESCRIPTION	PART#	QTY.
1	PRESSURE SWITCH	22-0293	1	13	VENTURI	46-0899	1
2	LOCKNUT	32-0108	2	14	CASE	46-0837	1
3	FITTING	54-0040	1	15	PLUG	39-01 09	2
4	MOTOR	N/A	1	16	ELBOW	23-0381	1
5	RUBBER WASHER	N/A	1	17	BOLT	27-8937	4
6	SEAL PLATE	26-0214	1	18	LOCK WASHER	29-0008	4
7	DISK	46-0898	1	19	NUT	30-0006	4
8	O-RING (SEE 70-0313)	N/A SEP.	1	20	BASE (INCLUDES REF. 21)	5-0144	1
9	SEAL	26-0215	1	21	RUBBER PROTECTOR	33-0320	1
10	IMPELLER (SEE 70-0313)	N/A SEP.	1	22	HOSE	15-0210	1
11	WEAR RING	46-0835	1		IMPELLER KIT (INCLUDES 8-12)	70-0313	1
12	DIFFUSER (SEE 70-0313)	N/A SEP.	1		COMPLETE OZONE PUMP	3-0186	

# OZONE PUMP (3-0322) (THREE PHASE)



3-0322 072209-PJH			
OZONE PUMP (3-0322)			
ITEM	DESCRIPTION	Mi-T-M #	QTY
1	MOTOR	N/A	1
2	BASE	N/A	1
3	BOLT	27-0116	2
4	NUT	30-0057	8
5	SEAL PLATE	N/A	1
6	O-RING	25-0621	1
7	WATER SLINGER	46-1386	1
8	SHAFT SEAL	26-0354	1
9	IMPELLER	N/A	1
10	CASING/DIFFUSER ASSEMBLY	N/A	1
11	BOLT	27-8401	8
12	WASHER	N/A	2
13	PLUG	N/A	2

# TRANSFER PUMP ASSEMBLY (AFTER SERIAL #30007000)

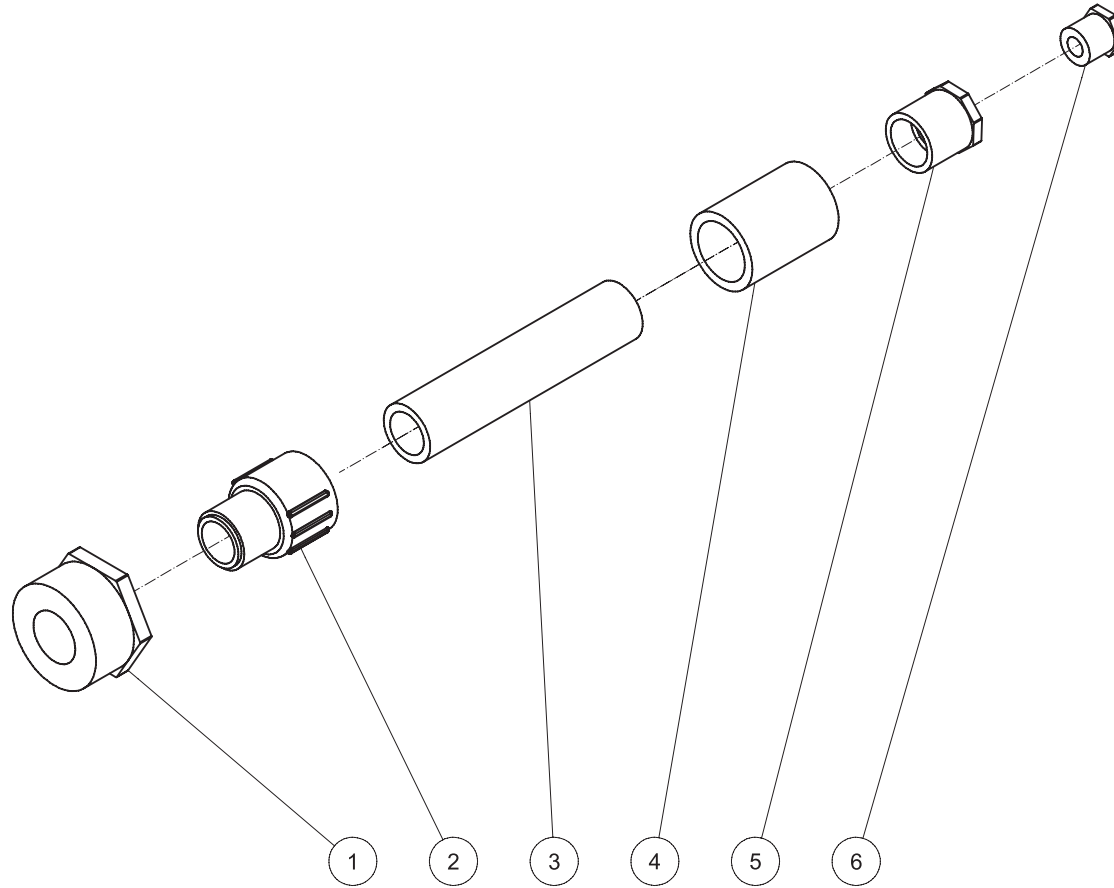


TRANSFER PUMP ASSEMBLY - BIO-20R - OZONE 082714 MLK



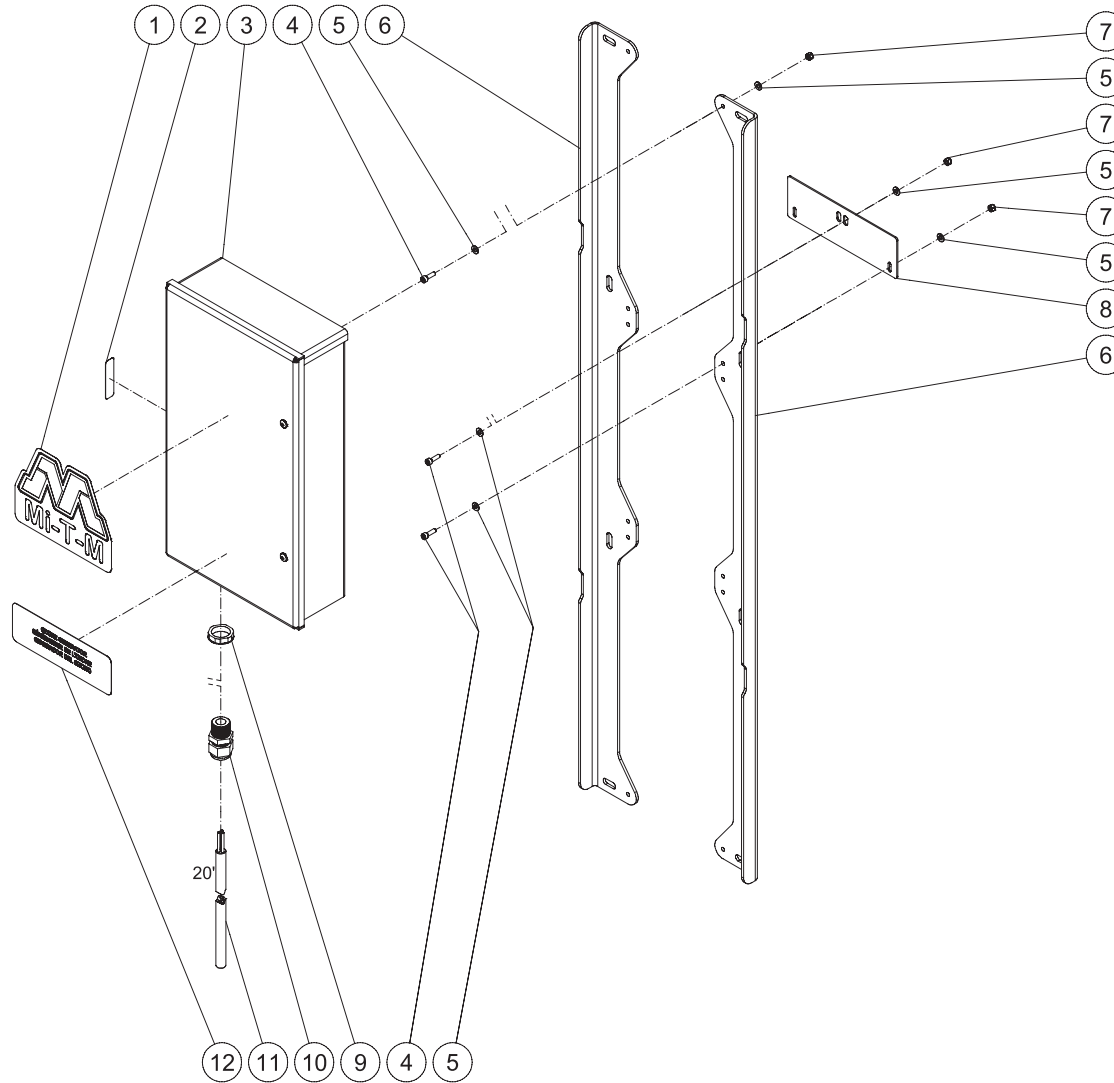
TRANSFER PUMP ASSEMBLY BIO-20R OZONE 082714 MLK			
TRANSFER PUMP ASSEMBLY			
ITEM	DESCRIPTION	PART #	QTY
1	TOE NIPPLE	55-1679	1
2	GATE VALVE	55-1671	1
3	*PIPE 1 1/2" *(ONE FOOT REQUIRED)	55-1600	1
4	TEE	55-1603	1
5	*PIPE 1" *(ONE FOOT REQUIRED)	55-1200	1
6	UNION - INCLUDES O-RING (25-0447)	55-1245	1
7	MALE ADAPTER	55-1222	1
8	REDUCER	55-1433	1
9	WASHER	28-0121	4
10	LOCKWASHER	29-1006	4
11	BOLT	27-8962	4
12	DECAL	N/A	1
13	ELBOW	55-1609	1
14	REDUCER	55-1628	1
15	NIPPLE	55-1474	1
16	PUMP-(0M11/1M11)	3-0401	1
-	PUMP-(0M31/1M31)	3-0402	1
17	ELECTRICAL LOCKNUT	32-0108	1
18	STRAIN RELIEF	32-0437	1
19	CORD (0M11/1M11) *(FIFTEEN FEET REQUIRED)	32-0074	1
-	CORD (0M31/1M31) *(FIFTEEN FEET REQUIRED)	32-0247	1
*MUST ORDER IN ONE FOOT LENGTHS			

# OZONE INJECTOR PLUMBING



OZONE INJECTOR PLUMBING BIO 092314 MLK			
OZONE INJECTOR PLUMBING			
ITEM	DESCRIPTION	PART #	QTY
1	REDUCER	55-1835	1
2	MALE ADAPTER	55-1222	1
3	PIPE *(1" X 6") *(ONE FOOT REQUIRED)	55-1200	1
4	COUPLER	55-1214	1
5	REDUCER	55-1229	1
6	REDUCER BUSHING	55-0834	1
*MUST ORDER IN ONE FOOT LENGTHS			

# OZONE GENERATOR ASSEMBLY (AFTER SERIAL #30007551)

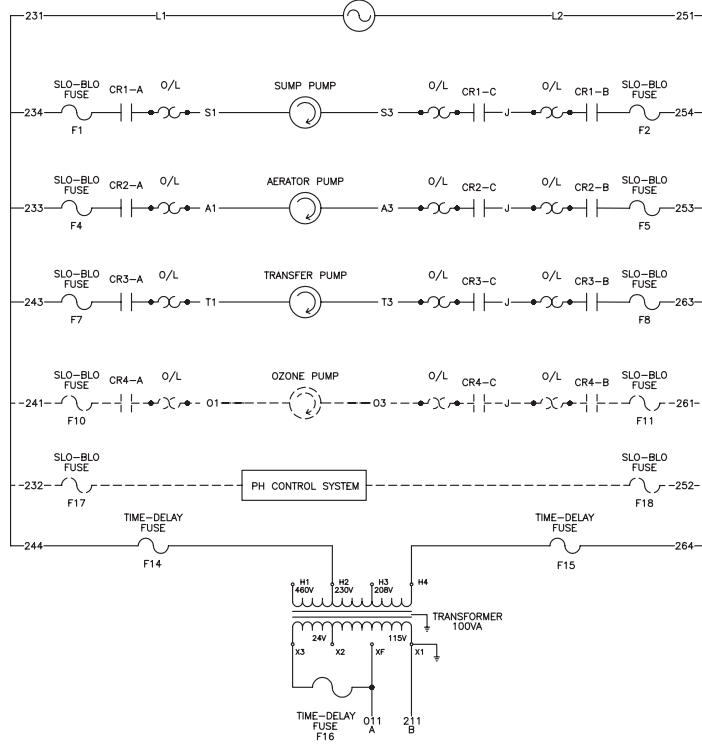


855-0045_7 040816 040816 MLK			
OZONE GENERATOR			
ITEM	DESCRIPTION	PART #	QTY
1	DECAL - Mi-T-M	34-2169	1
2	DECAL	N/A	1
3	OZONE GENERATOR (855-0045)	32-1192	1
-	OZONE GENERATOR (855-0047)	32-1193	1
4	SCREW	27-8835	5
5	WASHER	28-0010	10
6	BRACKET	20-1444A18	2
7	LOCKNUT	30-8152	5
8	FIT PLATE	20-1445A18	1
9	ELECTRICAL LOCKNUT	32-0108	1
10	STRAIN RELIEF	32-0437	1
11	CORD *(TWENTY FEET REQUIRED)	32-0074	1
12	OZONE DECAL	34-2115	1
*MUST ORDER IN ONE FOOT LENGTHS			

# ELECTRICAL SCHEMATIC (SINGLE PHASE) (AFTER SERIAL #30007000)

LADDER DIAGRAM - MASTER - BIO-20R, 25R, 35R - 1 PHASE 092316 MLK

230V 1Ø LADDER DIAGRAM

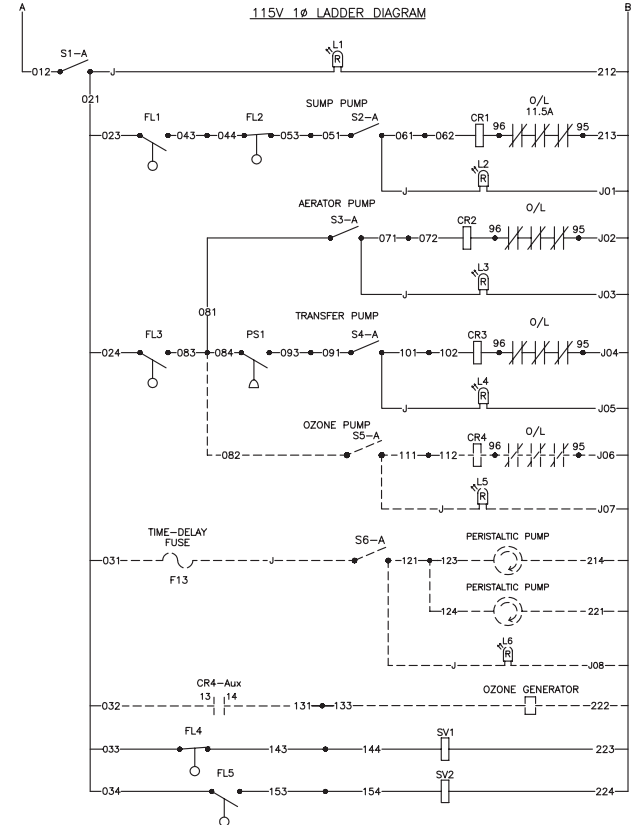


NOTES:  
 1) LADDER DIAGRAM SHOWN WITH POWER TO UNIT AND NO WATER IN PIT  
 2) ALL WIRES ARE 16GA UNLESS OTHERWISE SPECIFIED IN THE TABLE BELOW.

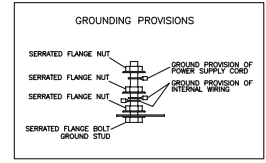
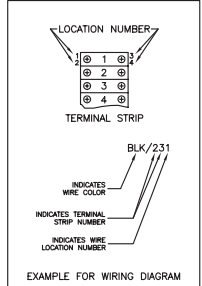
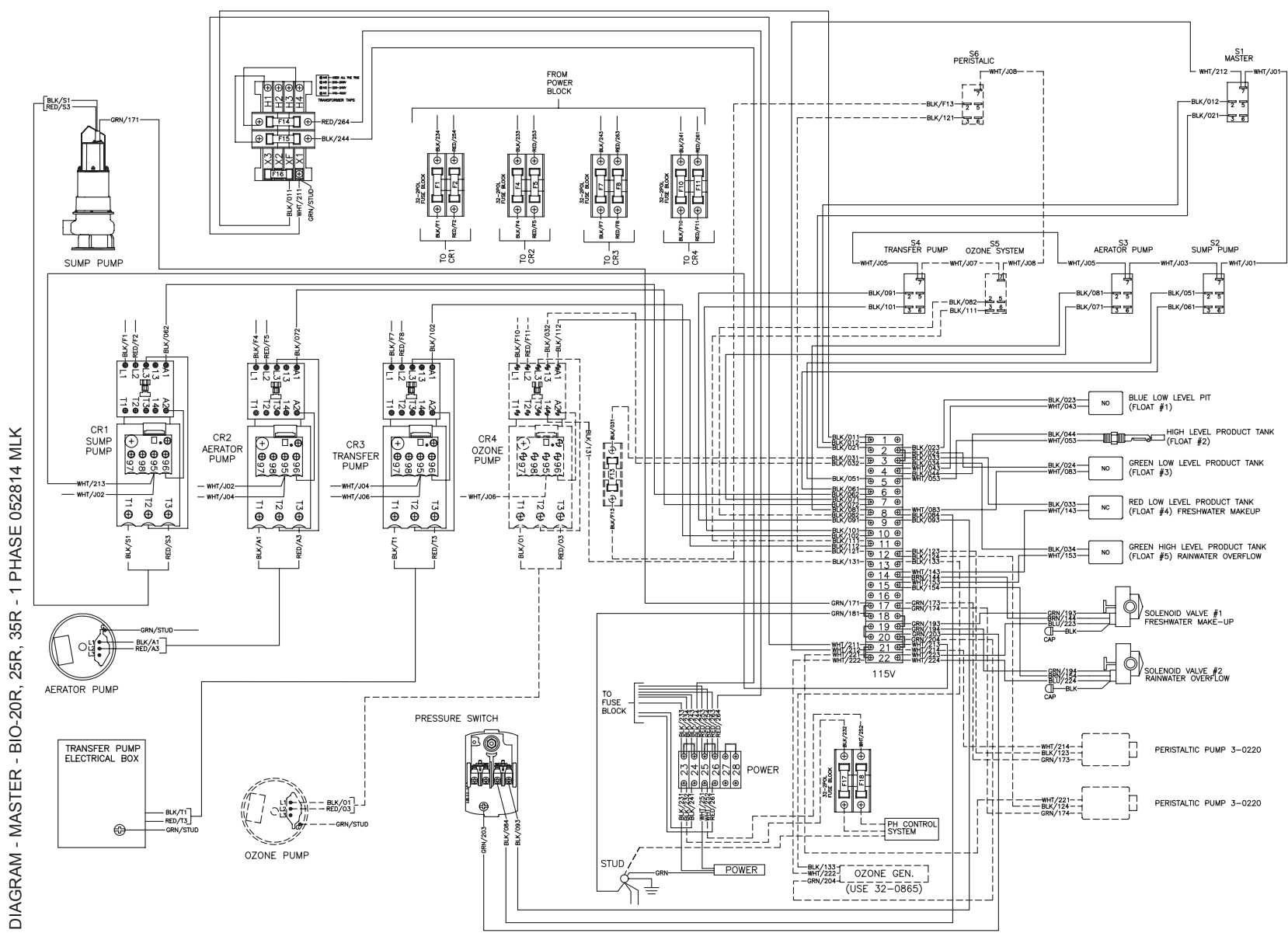
**LEGEND**

- CR1 = CONTROL RELAY, SUMP PUMP
- CR2 = CONTROL RELAY, AERATOR PUMP
- CR3 = CONTROL RELAY, TRANSFER PUMP
- CR4 = CONTROL RELAY, OZONE PUMP
- S1 = SWITCH, MASTER
- S2 = SWITCH, SUMP PUMP
- S3 = SWITCH, AERATOR PUMP
- S4 = SWITCH, TRANSFER PUMP
- S5 = SWITCH, OZONE SYSTEM
- S6 = SWITCH, PERISTALTIC METERING PUMP
- S7 = SELECTOR SWITCH, CHEMICAL PUMP
- L1 = LIGHT, FOR S1
- L2 = LIGHT, FOR S2
- L3 = LIGHT, FOR S3
- L4 = LIGHT, FOR S4
- L5 = LIGHT, FOR S5
- L6 = LIGHT, FOR S6
- PS1 = PRESSURE SWITCH, 25-45 PSI (TRANSFER PUMP)
- FL1 = FLOAT, N.O. BLUE LOW LEVEL (SUMP PIT)
- FL2 = FLOAT, N.C. HIGH LEVEL (PRODUCT TANK)
- FL3 = FLOAT, N.O. GREEN LOW LEVEL (PRODUCT TANK)
- FL4 = FLOAT, N.C. RED LOW LEVEL FRESH WATER MAKEUP
- FL5 = FLOAT, N.O. GREEN HIGH LEVEL RAINWATER OVERFLOW
- SV1 = SOLENOID VALVE, FRESH WATER MAKEUP
- SV2 = SOLENOID VALVE, RAINWATER OVERFLOW

115V 1Ø LADDER DIAGRAM



# ELECTRICAL DIAGRAM (SINGLE PHASE) (AFTER SERIAL #30007000)



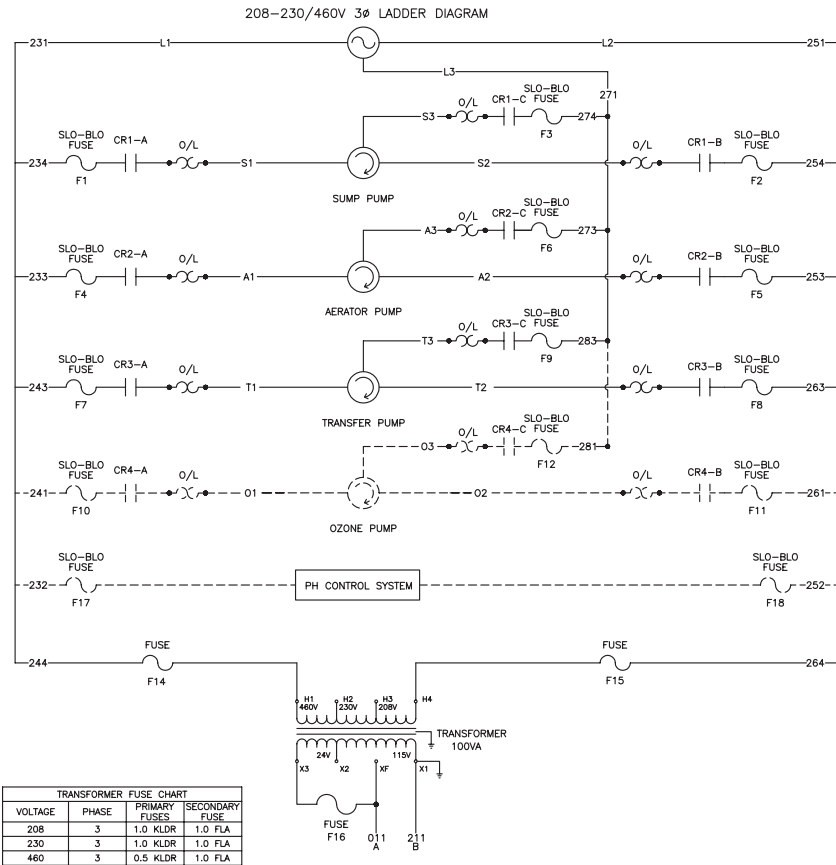
**NOTES:**

- 1) ALL WIRES ARE 16GA UNLESS OTHERWISE SPECIFIED IN THE TABLE ON THE LADDER DIAGRAM.
- 2) FUSE SIZES ARE SHOWN IN THE TABLE ON THE LADDER DIAGRAM OR ON A STICKER INSIDE THE BOX.

WIRING DIAGRAM - MASTER - BIO-20R, 25R, 35R - 1 PHASE 052814 MLK

# ELECTRICAL SCHEMATIC (THREE PHASE) (AFTER SERIAL #30007000)

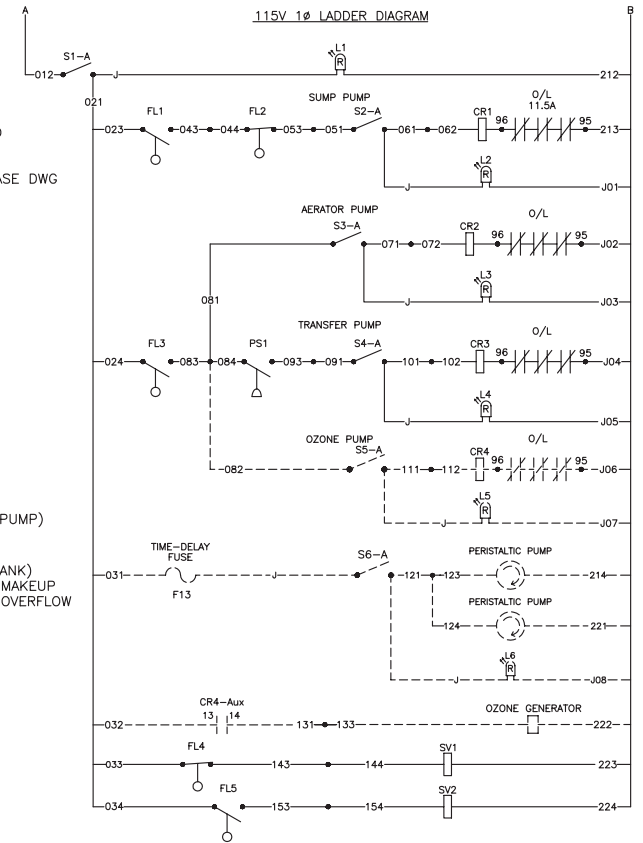
LADDER DIAGRAM - MASTER - BIO-20R, 25R, 35R - 3 PHASE 092316 MLK



NOTE:  
LADDER DIAGRAM SHOWN WITH POWER TO UNIT AND  
NO WATER IN PIT  
FOR FUSE AND OVERLOAD SETTINGS SEE:  
FUSE AND OVERLOAD SETTINGS MASTER 3 PHASE DWG

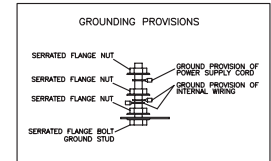
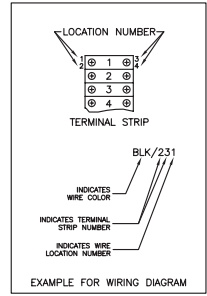
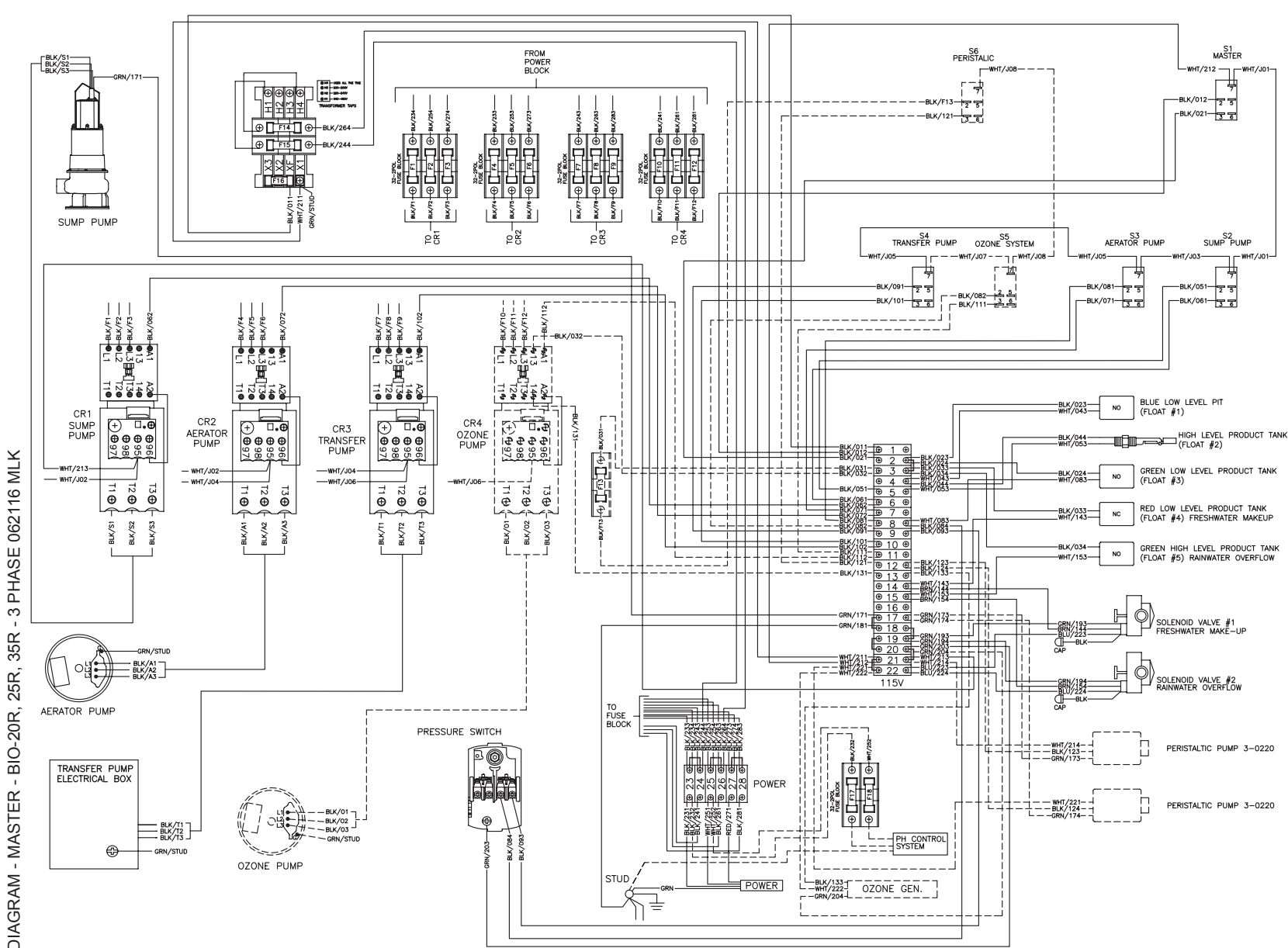
**LEGEND**

- CR1 = CONTROL RELAY, SUMP PUMP
- CR2 = CONTROL RELAY, AERATOR PUMP
- CR3 = CONTROL RELAY, TRANSFER PUMP
- CR4 = CONTROL RELAY, OZONE PUMP
- S1 = SWITCH, MASTER
- S2 = SWITCH, SUMP PUMP
- S3 = SWITCH, AERATOR PUMP
- S4 = SWITCH, TRANSFER PUMP
- S5 = SWITCH, OZONE SYSTEM
- S6 = SWITCH, PERISTALTIC PUMP
- S7 = SELECTOR SWITCH, CHEMICAL PUMP
- L1 = LIGHT, FOR S1
- L2 = LIGHT, FOR S2
- L3 = LIGHT, FOR S3
- L4 = LIGHT, FOR S4
- L5 = LIGHT, FOR S5
- L6 = LIGHT, FOR S6
- PS1 = PRESSURE SWITCH, 25-45 PSI (TRANSFER PUMP)
- FL1 = FLOAT, N.O. BLUE LOW LEVEL (SUMP PIT)
- FL2 = FLOAT, N.C. HIGH LEVEL (PRODUCT TANK)
- FL3 = FLOAT, N.O. GREEN LOW LEVEL (PRODUCT TANK)
- FL4 = FLOAT, N.C. RED LOW LEVEL FRESH WATER MAKEUP
- FL5 = FLOAT, N.O. GREEN HIGH LEVEL RAINWATER OVERFLOW
- SV1 = SOLENOID VALVE, FRESH WATER MAKEUP
- SV2 = SOLENOID VALVE, RAINWATER OVERFLOW





# ELECTRICAL DIAGRAM (THREE PHASE) (AFTER SERIAL #3005000)



NOTES:  
 1) ALL WIRES ARE 16GA UNLESS OTHERWISE SPECIFIED IN THE TABLE ON THE LADDER DIAGRAM.

2) FUSE SIZES ARE SHOWN IN THE TABLE ON THE LADDER DIAGRAM OR ON A STICKER INSIDE THE BOX.

WIRING DIAGRAM - MASTER - BIO-20R, 25R, 35R - 3 PHASE 062116 MLK

Manufactured by Mi-T-M  
50 Mi-T-M Drive, Peosta IA 52068  
563-556-7484/ Fax 563-556-1235