



PARTS LIST FOR
WTP-S03-1MGH
WTP-S03-1MGS
WTP-S03-2MGM
SEMI-TRASH PUMPS

This Parts Listing has been compiled for your benefit. You can be assured your Mi-T-M Water Transfer Pump was constructed and designed with quality and performance in mind. Each component has been rigorously tested to insure the highest level of acceptance.

The contents of this Parts Listing are based on the latest product information available at the time of publication. Mi-T-M reserves the right to make changes in price, color, materials, equipment, specifications or models at any time without notice.

WARNING

THIS IS A PROFESSIONAL SEMI-TRASH PUMP CAUTION SHOULD BE OBSERVED WHEN USING OR REPAIRING THIS UNIT! READ AND FOLLOW THE SAFETY WARNINGS LISTED BELOW BEFORE ATTEMPTING ANY REPAIRS ON THIS SEMI-TRASH PUMP!

SAFETY WARNINGS

1. NEVER alter or modify the equipment. Use only genuine Mi-T-M parts for repair. Failure to do so can cause hazardous operating conditions and will VOID warranty.
2. Be thoroughly familiar with controls.
3. Do not run pump without water inside the pump.

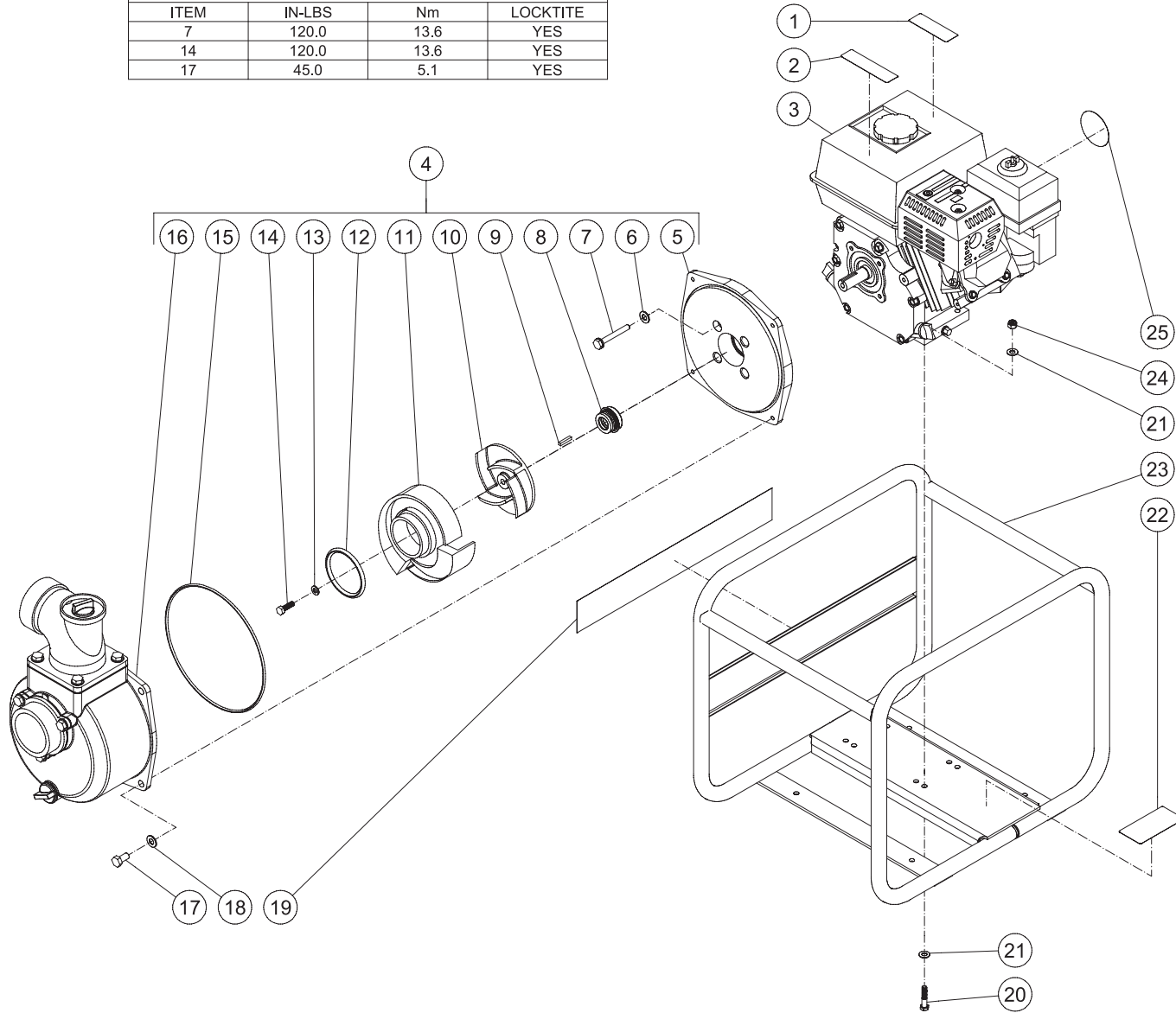
Table of Contents

SEMI-TRASH PUMP.....4
PUMP ASSEMBLY (3-0378)6

MODEL NUMBER	WTP-S03-1MGH	WTP-S03-1MGS	WTP-S03-2MGM
Engine:	Honda	Subaru	Mi-T-M
Model	GX200	EX21	212cc
Engine Type	4 Stroke, Overhead Valve, Single Cylinder	4 Stroke, Overhead Cam, Single Cylinder	4 Stroke, Overhead Valve, Single Cylinder
Oil Type	SAE10W-30		
Oil Capacity (oz./liters)	20 / 0.6	20 / 0.6	16 / 0.5
Fuel Type	Unleaded Gasoline 86 Octane Minimum		
Fuel Capacity (gallons/liters)	0.8 / 3.1	0.9 / 3.6	1.0 / 3.8
Starting	Recoil		
Maximum No Load RPM	3600		
Pump:			
Maximum GPM	276		
Connection Diameter (in.)	3		
Suction Head (ft.)	28.0		
Total Head (ft.)	104		
Weight:			
Net	73 lbs	71 lbs	73 lbs
Shipping	82 lbs	80 lbs	82 lbs
Dimensions:			
Basic L x W x H	21.25" x 17.25" x 18.25"		

SEMI-TRASH PUMP

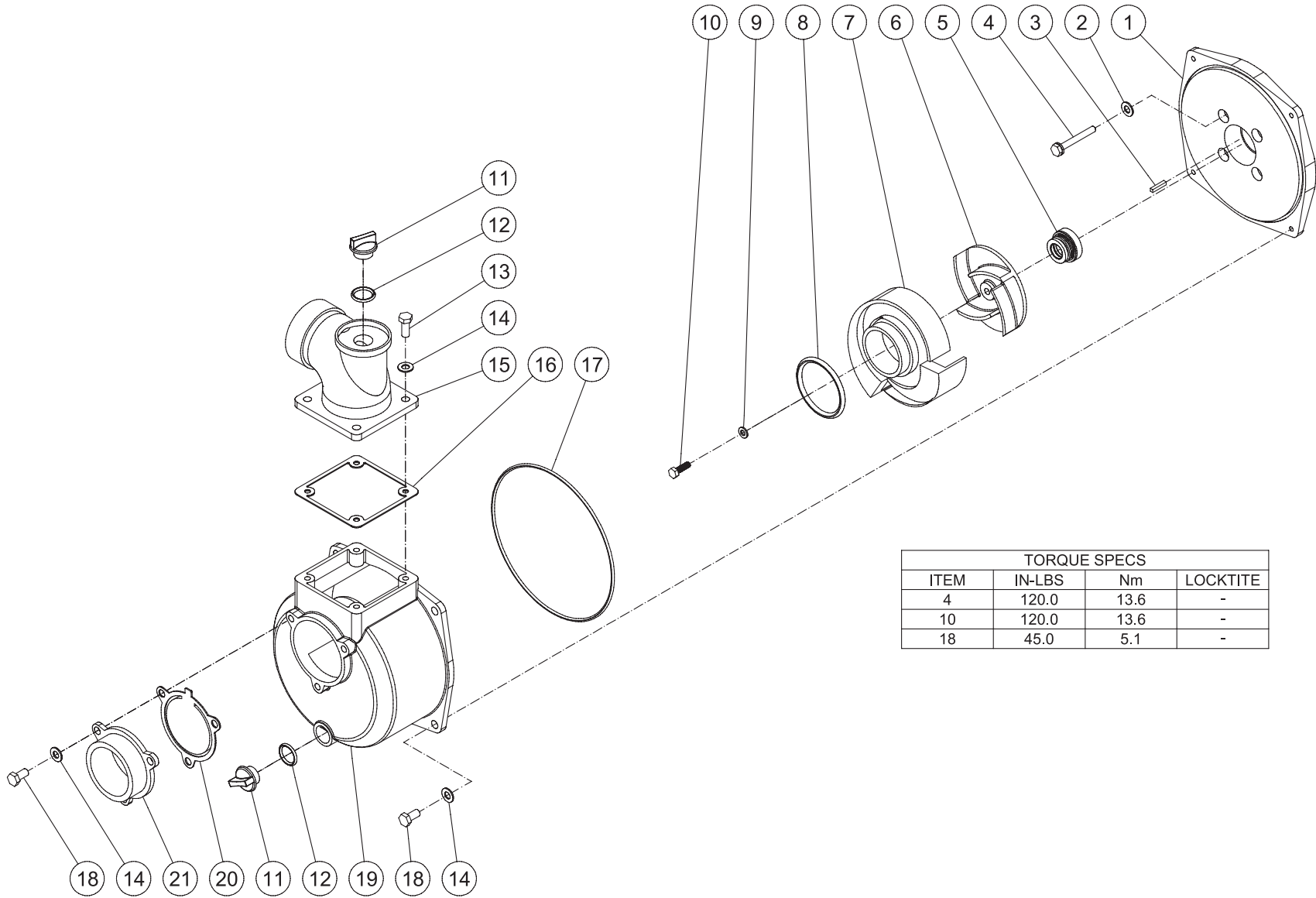
TORQUE SPECS			
ITEM	IN-LBS	Nm	LOCKTITE
7	120.0	13.6	YES
14	120.0	13.6	YES
17	45.0	5.1	YES



WTP-S03-1MGH_S_2MGM 082416 JJR

WTP-S03-1MGH_GS2MGM 082416 JJR			
SEMI-TRASH PUMP			
ITEM	DESCRIPTION	PART #	QTY
1	DECAL - RISK OF FIRE (SEE 71-1049)	N/A	1
2	DECAL - RISK OF BURNS (SEE 71-1049)	N/A	1
3	ENGINE (1MGH)	1-0088	1
-	ENGINE (1MGS)	1-0133	1
-	ENGINE (2MGM)	1-0221	1
4	PUMP	3-0378	1
5	ENGINE FLANGE	46-1571	1
6	WASHER	N/A	4
7	BOLT	27-9577	4
8	SEAL	46-1576	1
9	KEY	43-0082	1
10	IMPELLER	46-1500	1
11	DIFFUSER	46-1572	1
12	O-RING	N/A	1
13	WASHER	46-1577	1
14	BOLT	27-0092	1
15	O-RING	N/A	1
16	PUMP BODY	46-1573	1
17	BOLT	27-8063	7
18	WASHER	28-0004	11
19	Mi-T-M DECAL	N/A	1
20	BOLT	27-0069	4
21	WASHER	28-0003	8
22	DECAL- SILVER STICKER	N/A	1
23	FRAME	5-0320A01	1
24	LOCKNUT	30-0157	4
25	DECAL - REWIND 212CC	34-2863	1
-	DECAL SET	71-1049	1

PUMP ASSEMBLY (3-0378)



TORQUE SPECS			
ITEM	IN-LBS	Nm	LOCKTITE
4	120.0	13.6	-
10	120.0	13.6	-
18	45.0	5.1	-

3-0378 022514 KMD

3-0378 022514 KMD			
PUMP ASSEMBLY			
ITEM	DESCRIPTION	PART #	QTY
1	ENGINE FLANGE	46-1571	1
2	WASHER (SEE KIT 70-0605)	SEE KIT	4
3	KEY	43-0082	1
4	BOLT	27-9577	4
5	SEAL (SEE KIT 70-0605)	46-1576	1
6	IMPELLER	46-1500	1
7	DIFFUSER	46-1572	1
8	O-RING (SEE KIT 70-0605)	SEE KIT	1
9	WASHER	46-1577	1
10	BOLT	27-0092	1
11	PLUG	39-0247	2
12	O-RING (SEE KIT 70-0605)	SEE KIT	2
13	BOLT	27-8064	4
14	WASHER	28-0004	11
15	OUTLET FLANGE	46-1502	1
16	GASKET (SEE KIT 70-0605)	46-1575	1
17	O-RING (SEE KIT 70-0605)	SEE KIT	1
18	BOLT	27-8063	7
19	PUMP BODY	46-1573	1
20	CHECK VALVE (SEE KIT 70-0605)	46-1574	1
21	INLET FLANGE	46-1501	1

REPLACEMENT KITS			
KIT #	DESCRIPTION	ITEMS	# OF ASSEMBLIES
70-0605	SiC SEAL KIT	2,5,8,12,16,17,20	1

Manufactured by Mi-T-M
50 MI-TM Drive, Peosta IA 52068
563-556-7484/ Fax 563-556-1235